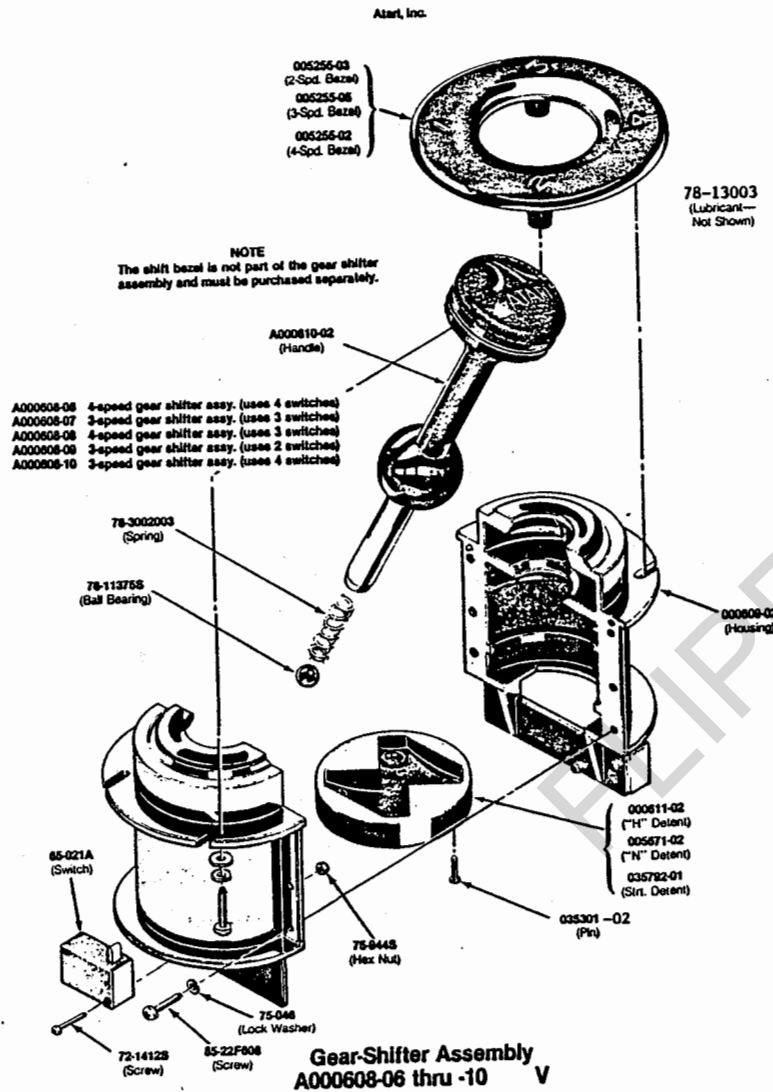
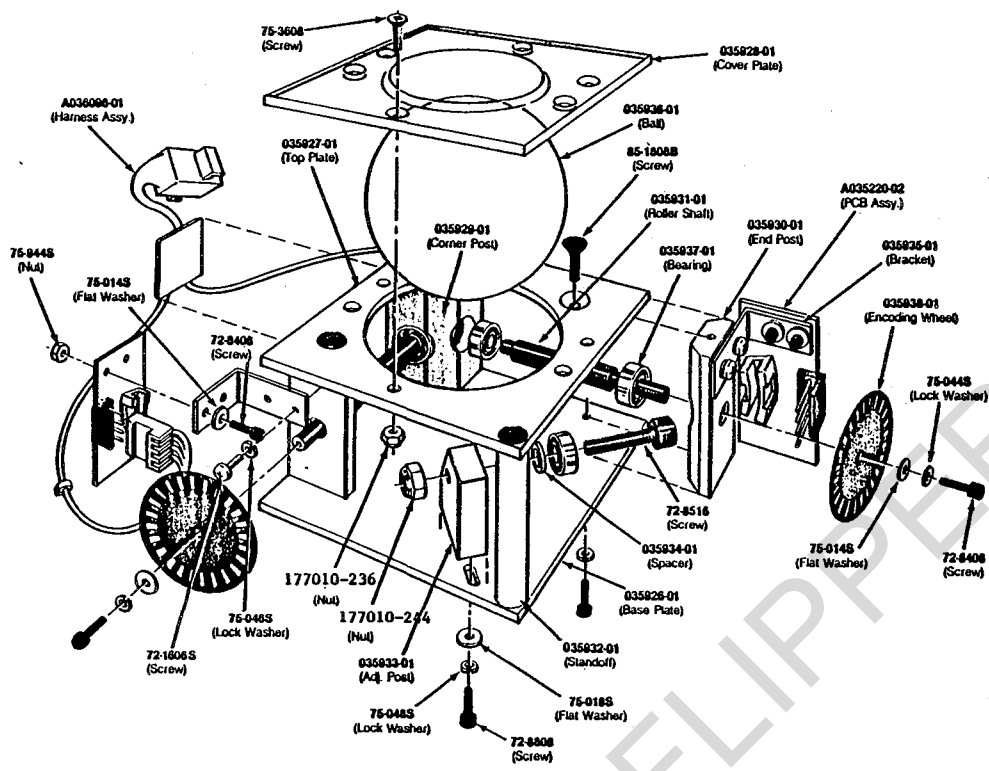


PART NUMBER	DESCRIPTION	PRICE
A000589-01	FOOT PEDAL ASSY	15.50
A000608-06	SHIFT REINFORCED	33.08
A000608-07	SHIFT REINFORCED	33.08
A000608-08	SHIFT REINFORCED	33.08
A000610-01	HANDLE ASSY. SHIFT	6.72
A002465-01	COIN COUNTER 6 VOLT	10.32
A003322-01	HYBRID ASSY 72046H	31.68
A003370-01	COIN DDDR WELDMENT	127.20
A004304-07	BUTTON ASSY 1 PLAYER	30.52
A004730-01	RING AND SHAFT ASSY	2.30
A005191-01	TAPE QUIZSHOW 2KQUES	20.00
A006007-01	SLING SHOT ARM ASSY	3.16
A006067-01	HOLE KICKER ASY SNGL	21.12
A006785-03	COIL, PLUNGER ASSY	0.96
A006886-01	TRANSFORMER PWR ASSY	85.88
A007030-01	COIL	5.28
A007033-01	COIL, BRACKET ASY	11.32
A007367-01	SHAFT ASSEMBLY	10.12
A007378-01	THRUST CONTROL ASSEM	38.92
A007421-01	PCB, CONT. 1 F-1	291.30
A007423-01	PCB, CONT. 2 F-1	266.52
A007425-01	PCB, F-1 SOUND	239.16
A007427-01	PCB, DRIVE F-1	244.38
A007429-01	PCB, F-1 SCORE	310.32
A007444-01	PWR IN HARNESS	3.12
A007476-01	SHAFT BALL POOLSHARK	6.24
A007480-01	SHAFT ASSEMBLY	22.56

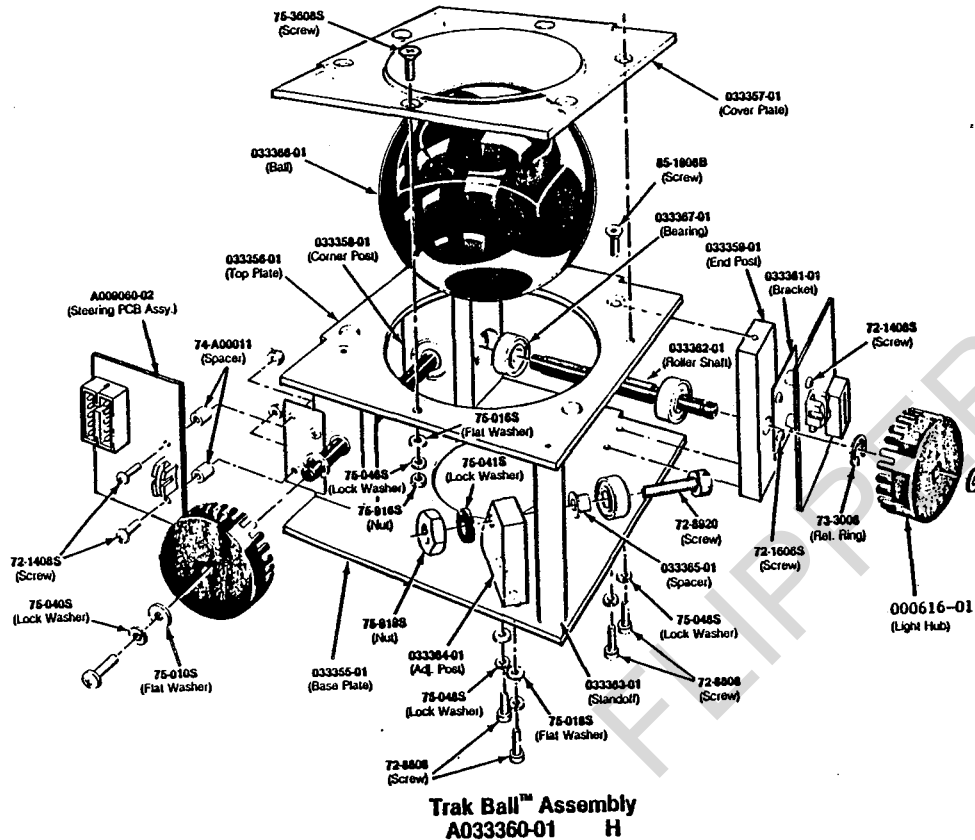


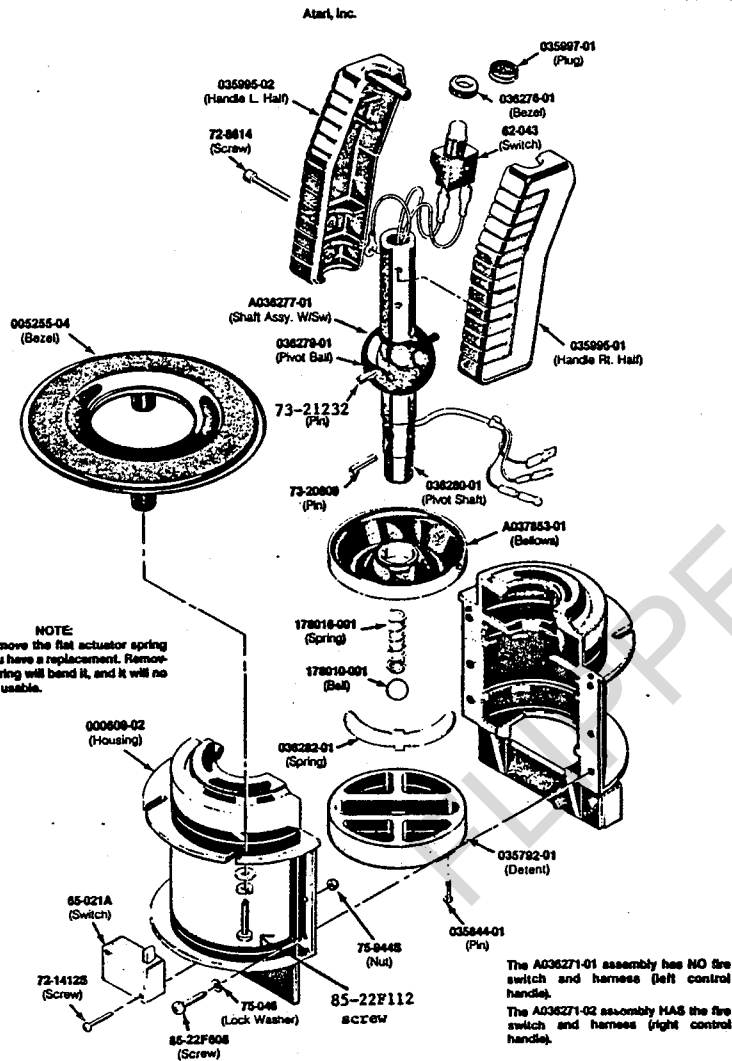


Mini-Trak Ball™ Assembly
A035940-01 A

PART NUMBER	DESCRIPTION	PRICE
A007481-01	PWR SUPPLY HARNESS	18.86
A007481-02	SHORTING BLOCK HARNE	12.52
A007483-01	HARNESS GEARSHIFT	12.76
A007484-01	HARNESS MAIN SD NDRV	90.62
A007494-01	GEAR ASSY SD NIGHT D	157.24
A007497-01	DASHBD ASSY NITEDRIV	253.54
A007532-01	PCB, TRIPLE HUNT	1722.60
A007534-01	SWITCH BRACKET ASSY	6.96
A007547-01	SHIFT ASSEMBLY	82.56
A007637-01	BEZEL, FRONT NIGTRV	28.46
A007637-16	BEZEL, FRONT 25#	56.38
A007638-01	SLAM SWITCH ASSEMBLY	6.04
A007640-01	COIN SWITCH ASSY	7.06
A007647-01	JOYSTICK ASY POOLSHK	53.20
A007813-02	PWR CORD ASSY	9.98
A008390-01	CAR RED COMP F-1	3.94
A008390-02	CAR COMP YELLOW F-1	3.94
A008833-01	TRIGGER SWITCH ASSY	13.38
A008997-01	BALL & BUSHING SPER	23.86
A009525-01	LINKAGE ASSEMBLY	9.22
A009526-01	HUB MOUNT ASSEMBLY	9.08
A009548-01	COINBOX LID ASSY	41.42
A020115-01	THUMPER BUMPER BODY	10.64
A020184-01	RESET BAR ASSY MULTI	6.72
A020401-01	COIL, STOP ASSY	1.44
A020404-01	CAM ASSY SINGLE	19.10
A020470-01	COIL, DIODE ASY	5.86

PART NUMBER	DESCRIPTION	PRICE
A020725-01	FRONT MOLDING FABRIC	33.12
A020895-01	FLIPPER BUTTON ASSY.	3.60
A020931-01	SWITCH FLIPER BUTTON	2.98
A020968-02	FLIPPER ASY RIGHT	41.66
A020982-09	TARGET SW. ASY WHITE	7.10
A020996-03	BALL EJECTOR ASSY.	22.56
A021171-01	BALL SHOOTER/ROD ASY	72.50
A021226-01	FLIPPER SOLEN HERCUL	69.10
A021391-01	PLUNGER ASSY NYLON	4.70
A021517-02	BRACKET,BALL SHOOTER	96.00
A021700-01	CASH BOX,LID,HNDL,0S	29.80
A021700-02	CASH BOX,LID,HNDL,1S	33.36
A021700-03	CASH BOX,LID,HNDL,2S	35.90
A030170-01	PCB,TOURNAMENT TABLE	508.92
A030268-01	CASH BOX,ASY 2 HOLES	27.16
A033360-01	TRACKBALL ASY LGE	251.72
A034561-01	PWR SUPPLY XY	190.54
A034623-01	TRANSFORMER PWR SPLY	94.12
A034623-02	TRANSFORMER PWR SPLY	115.00
A034623-03	TRANSFORMER PWR SPLY	125.86
A034630-01	RFI FILTER ASSY	17.62
A034631-01	SWITCH ON-OFF	5.24
A035053-01	C/PNL ASY AST UP	179.00
A035159-01	HARNESS CONTROL	21.60
A035220-02	PCB,OPT COUPLER	19.60
A035791-03	ISOLATION TRAN TERM	42.72
A035837-01	FACEPLATE COIN CONT	109.00



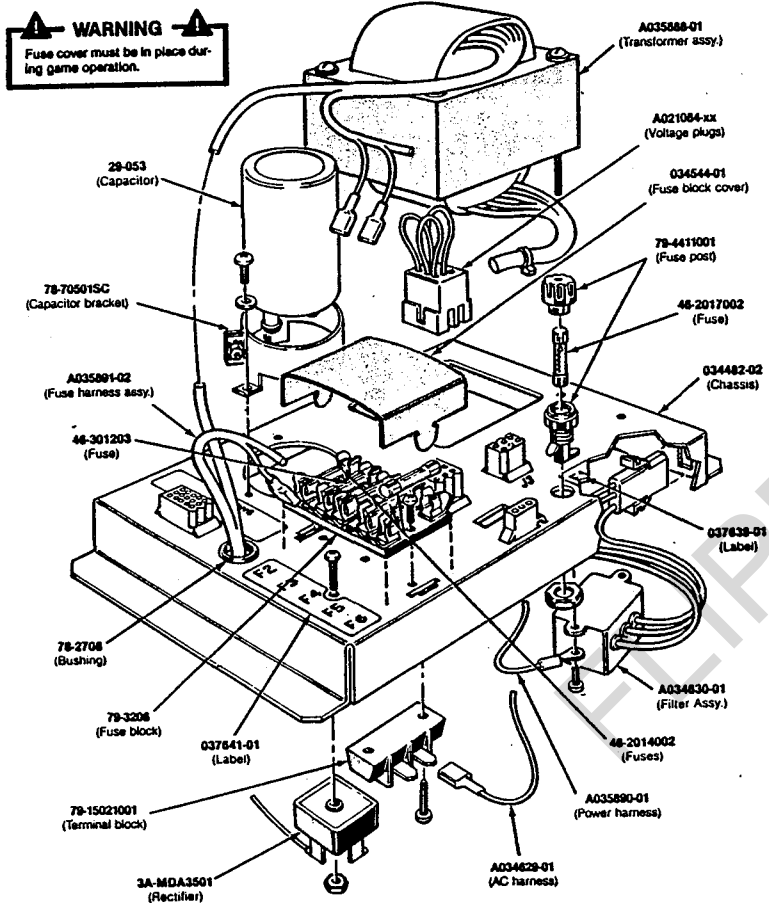


Control Handle Assembly
A036271-01 and -02 C

PART NUMBER	DESCRIPTION	PRICE
A035888-01	TRANSFORMER TERM	117.60
A035890-01	HARNESS POWER	3.08
A035896-01	LEG ASY,CKT.ASTEROID	72.00
* A035940-01	TRACKBALL ASY MINI	199.06
A035943-01	COIN BOX & LID & HANDL	41.36
A035943-02	COIN BOX & LID 1 SEP	29.04
A035943-03	COIN BOX & LID 2 SEP	32.02
A036096-01	HARNESS TRACKBALL	8.64
A036098-01	TRANSFORMER HARNESS	127.16
A036189-01	INTLOCK SW,MODIFIED	6.52
* A036190-01	TRACKBALL ASY MINI	127.00
A036240-01	HARNESS MONITOR ADAP	12.68
A036247-01	HARNESS PCB INTERCON	12.58
A036271-01	CONTROL HDL LEFT DMY	82.08
A036271-02	CONTROL HDL RT FIRE	98.98
A036277-01	PIVOT SHAFT&HARNESS	38.98
A036278-01	SHAFT PIVOT ASSY	36.34
A036325-01	HARNESS ADAPTER	8.64
A036353-01	PWR SUPPLY DOM	215.62
A036354-01	TRANSFORMER TERM DOM	101.28
A036401-01	HARN MON ADPT 92-042	11.08
A036775-01	COINBOX ASY W/LOCK	47.28
A036836-01	HARNESS S.A.	41.86
A036888-01	C/PNL WG AST DLX CAB	83.02
* A036951-01	JOYSTICK GIMBAL TYPE	103.78
A037162-01	CAT BOX ** ADD Z80	930.00
A037246-01	LEG LEVELER CAP ASSY	78.00

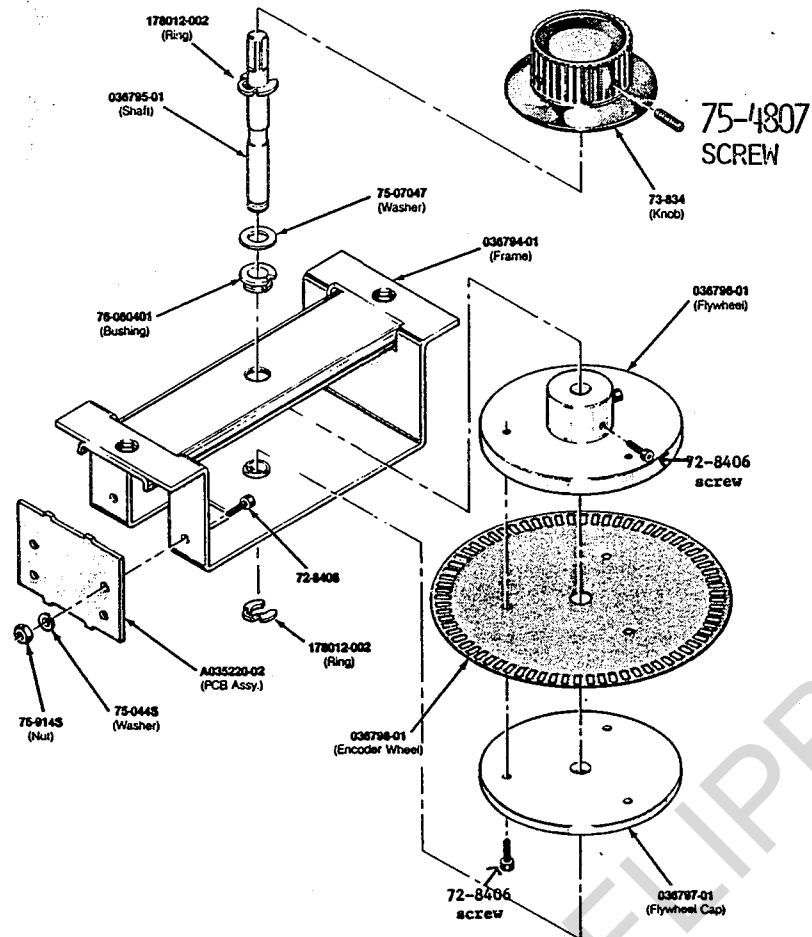
* See page 9 for A036951-01 gimbal joystick
 * See page 10 for A036190-01 Mini Trackball assy.
 * See page 2 for A035940-01 Mini Trackball assy

PART NUMBER	DESCRIPTION	PRICE
A037301-01	C/PNL WG SPACDUEL UP	73.20
A037383-02	PCB, TEMPEST	1163.28
A037395-01	TRANSFORMER COLOR XY	114.48
A037395-02	TRANSFORMER COLOR XY	114.48
* A037396-01	PWR SUPPLY COLOR XY	225.34
A037396-04	PWR SUPPLY STARWARS	251.00
A037408-01	C/PNL & DECAL CPD UP	71.62
A037430-01	PCB, EMI 44&24 PIN	80.64
A037430-05	PCB, EMI SHIELD	128.10
A037430-06	PCB, RFI SHIELD	77.48
A037433-01	HARNES MAIN GENTIPD	99.50
A037435-01	HARNES CONTROL CENT	21.84
A037450-01	INTLK. SW. MOD.	9.80
A037453-01	PWR CORD ASSY CPD	8.14
A037453-03	PWR CORD ASSY	12.20
A037457-01	HARNES LIGHT/SPKR	6.82
A037470-01	SWITCH ON/OFF ASSY	4.86
A037482-01	INTLK. SW. MTG. BKT, CPD	4.70
A037667-01	PCB, EMI SHIELD	113.88
A037671-01	PWR SUPPLY COLR RAST	244.52
A037701-01	EMI CAGE & GUIDES	57.32
A037701-02	EMI CAGE & GUIDES**	57.32
A037701-03	EMI CAGE & GUIDE ASY	63.36
A037709-01	MARQUE ASY**TEMP UP	73.92
A037737-01	C/PNL WG TEMPEST UP	89.68
A037763-01	C/PNL & DECAL CPD CK	54.82
A037775-01	HARNES MAIN TEMPEST	131.12

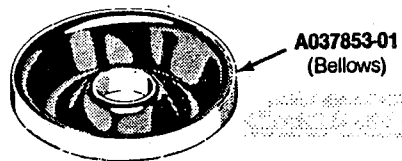


Color-Raster Power Supply Assembly
 A037671-01 & -02 E

* A037396-01 Color X-Y Power supply calls out a different Transformer A037395-01



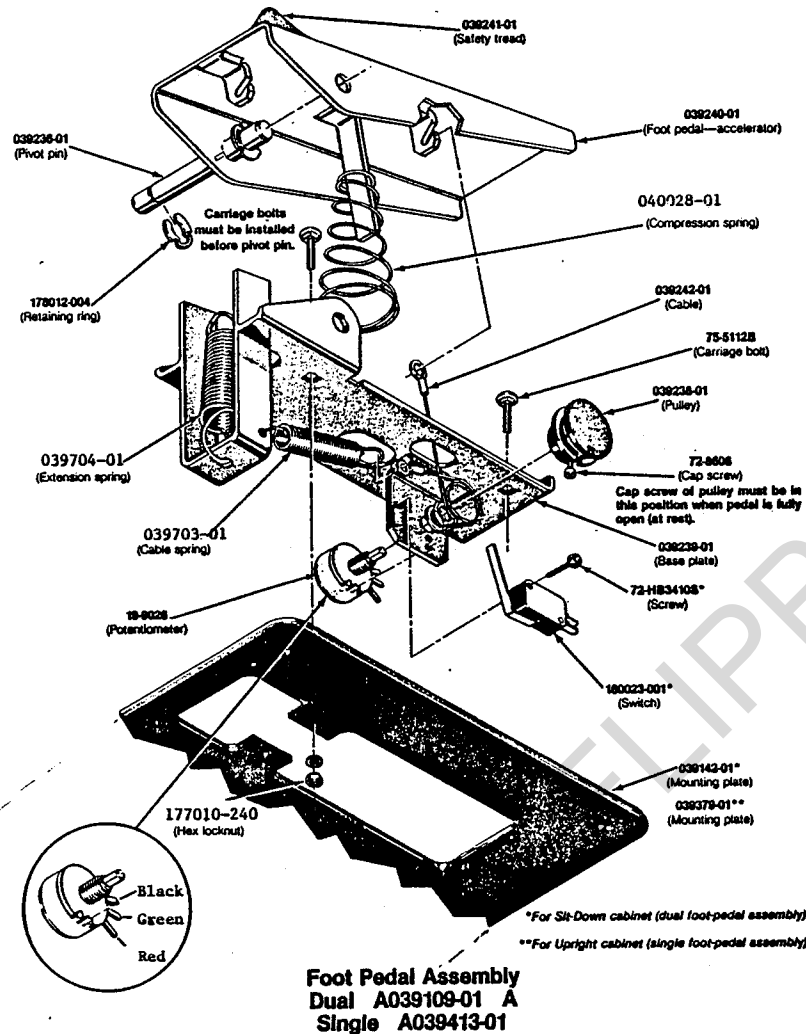
Encoder Wheel Assembly
A037781-01 A



A037853-01
(Bellows)

ATARI SERVICE PARTS PRICE LIST PAGE 6

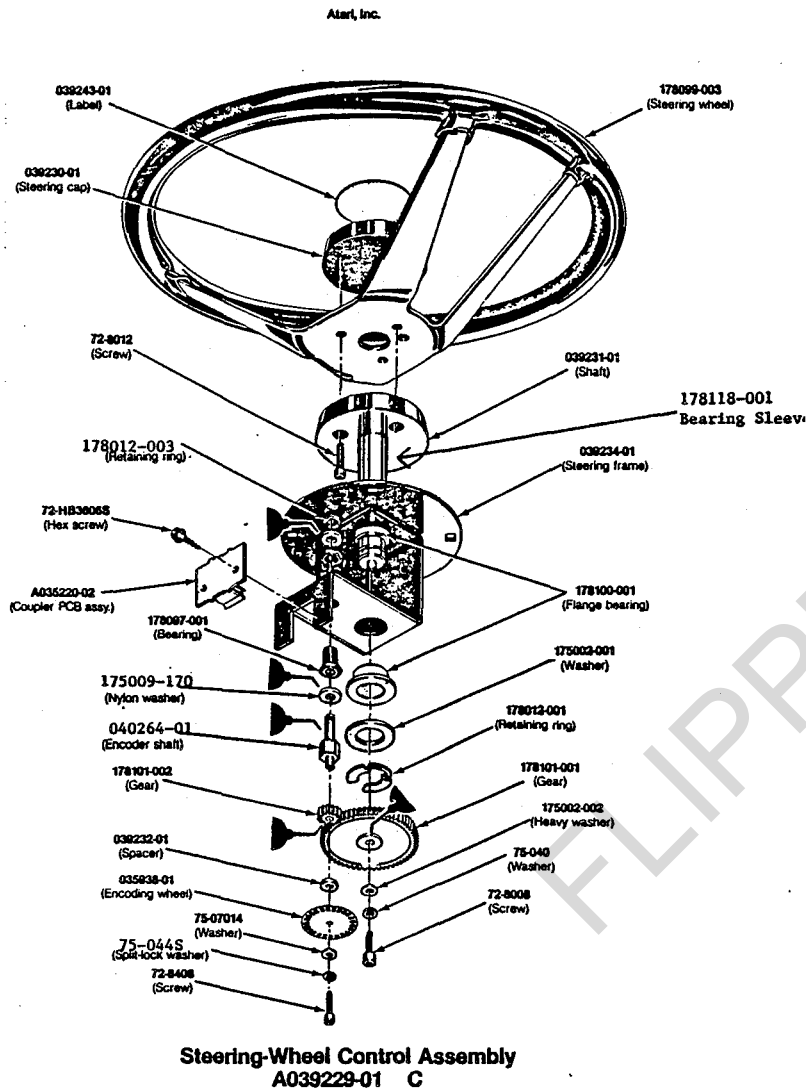
PART NUMBER	DESCRIPTION	PRICE
A037777-01	HARNESS POWER ASY	70.92
A037778-01	HARNESS CONTROL	22.32
A037781-01	ENCODER WHEEL ASSY	83.32
A037851-01	PCB, INTERCONNECT	12.34
A037853-01	CENTERING SPRNG BELO	11.14
A038004-01	HARNESS VOL/SELFTST	16.80
* A038038-02	TRACKBALL ASY MIDI	164.78
A038088-01	PCB, IPC (WG MONITOR)	42.46
A038398-21	PCB, GRAVITAR	1228.26
A038398-22	PCB, GRAVITAR	1228.26
A038414-01	C/PNL ASY KANGAROO U	199.64
A038415-01	C/PNL & DECAL KANGAR	68.88
A038453-01	HARNESS POWER	44.64
A038455-01	HARNESS C/PNL KANG	22.18
A038461-21	PCB, STARWARS MAIN	1079.64
A038463-21	PCB, STARWARS AVG	762.60
A038497-01	DOOR PANEL ASSY.	25.30
A038499-01	C/PNL & DECAL LIBERA	86.78
A038500-01	C/PNL & DECAL LIBERA	369.36
A038504-01	SPEAKER & LITE PANEL	128.84
A038575-21	PCB, DIG DUG	1458.00
A038578-01	HARNESS MAIN KANGARO	89.76
A038586-01	HARNESS MAIN GRAVITR	114.62
A038588-01	HARNESS PWR	48.52
A038589-01	HARNESS CONTROL ASSY	24.04
A038593-01	MONITOR INTERCONNECT	17.90
A038600-01	ON-OFF W/HARN. ASSY	17.30



PART NUMBER	DESCRIPTION	PRICE
A038601-01	PAT 9000 TEST FIXTUR	3500.00
A038727-01	HARNESS MAIN LIBERAT	99.12
A038729-01	HARNESS PWR LIBERATR	61.64
A038730-01	HARNESS CONTROL	19.06
A038731-01	LIGHT/2 SPEAKER ASSY	4.42
A038827-01	RIBBON CABLE ASSY.	38.00
A038838-02	JOYSTICK ASY,CIRCLE	116.40
A038839-01	PIVOT SHAFT ASSY	20.40
A038874-21	PCB,MILLIPEDE**	843.58
A038881-01	LOCK & CAM ASSEMBLY	3.46
A038881-03	LOCK ASSEMBLY	3.26
A039107-01	C/PNL ASY POLEPOS SD	401.06
A039108-01	C/PNL & DECAL PP SD	68.88
A039109-01	FOOT PEDAL ASY DUAL	274.56
A039185-21	PCB,POLE POSITON CPU	1542.80
A039187-21	PCB,POLE POS VIDEO	1493.62
** A039229-01	STEERING ASSY.	243.62
* A039235-01	FOOT PEDAL ASY GAS	111.58
* A039235-02	FOOT PEDAL ASY BRAKE	95.04
A039246-01	PWR HARN ASSY PPS	80.54
A039247-01	HARNESS PEDAL SITDWN	8.16
A039248-01	HARNESS VOLUME PP SD	9.12
A039254-01	HARNESS ASY VOL/CONT	17.76
A039259-01	HARNESS,MAIN**MILPDE	99.12
A039260-01	HARNESS PWR MILLIPED	61.64
A039261-01	HARNESS CN/PNL MILIP	19.06
A039270-01	POWER SHORTING PLUG	2.02

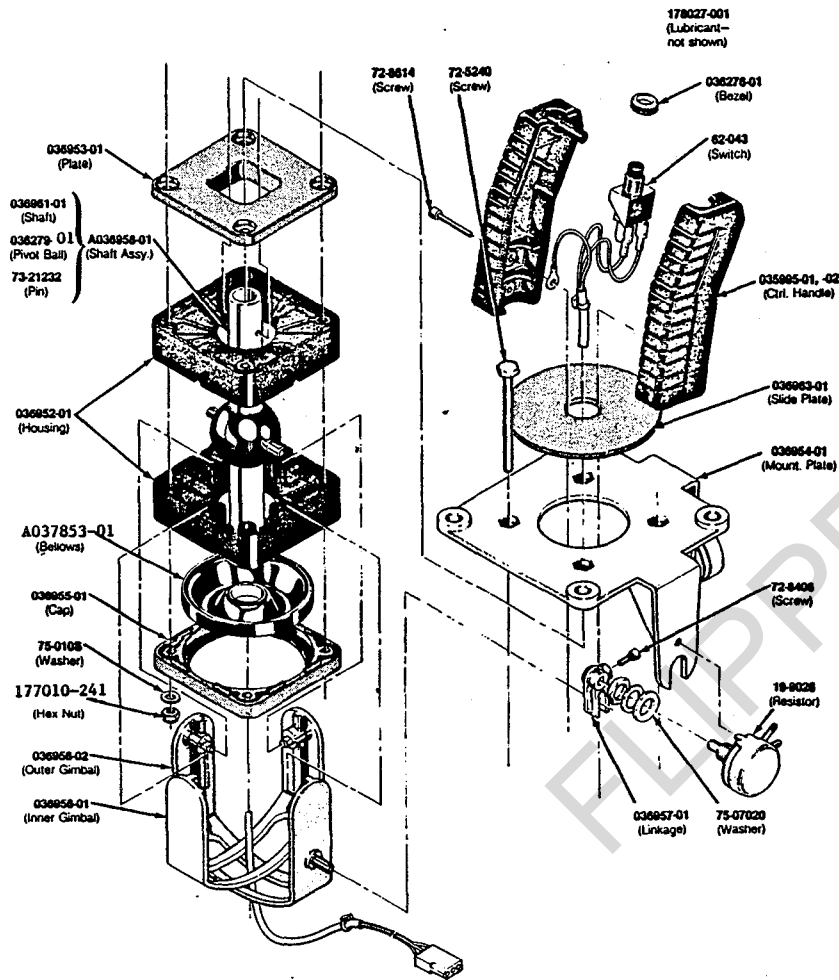
*A039235-01 & -02 do not include the harness or the mounting plate

** See page 8 for A039229-01 Steering Assembly



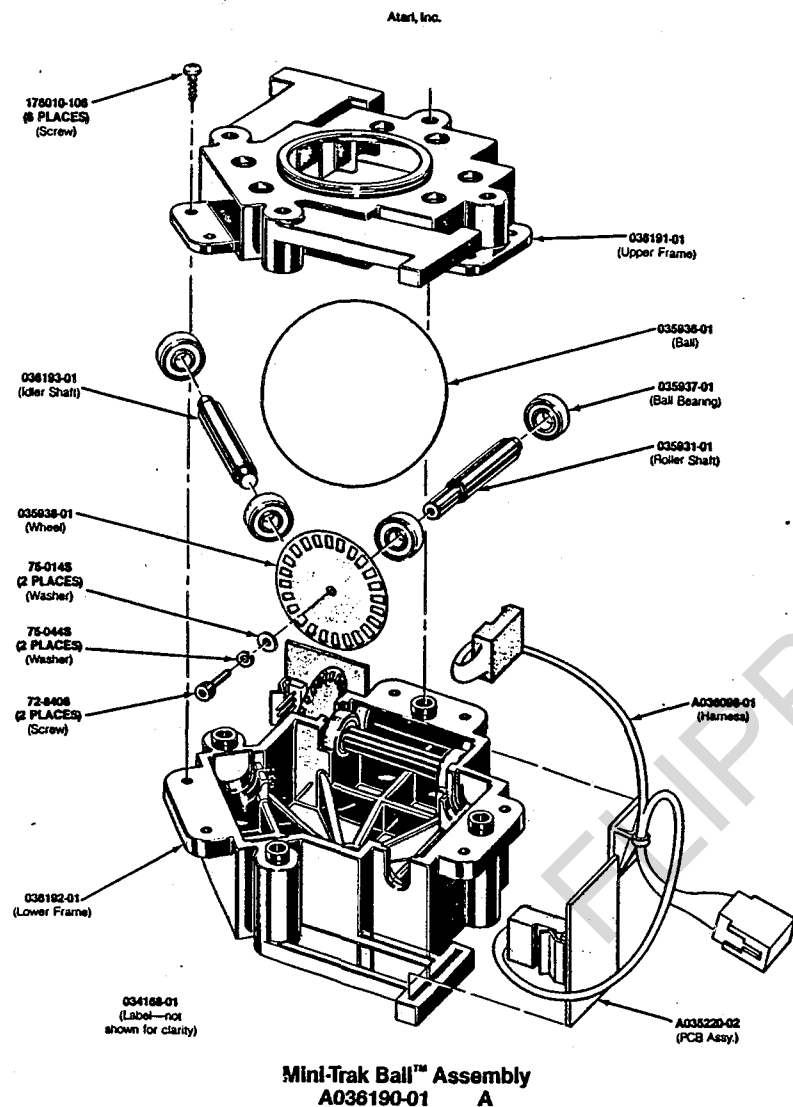
PART NUMBER	DESCRIPTION	PRICE
A039297-21	PCB, QUANTUM MAIN	1912.00
A039305-01	LIGHTBOARD, MPD ASSY	64.12
A039307-01	MARQE & DCL** MPD UP	102.12
A039308-01	C/PNL ASY MILLIPED U	343.72
A039346-01	C/PNL & DECAL MILIPD	70.08
* A039391-01	UTILITY PNL ASSY PPS	127.74
A039411-01	C/PNL & DECAL PP UP	56.30
A039412-01	C/PNL ASY POLEPOS UP	377.00
A039413-01	FOOT PEDAL ASY SINGL	170.04
A039420-01	DASH HOUSING & DECAL	89.28
A039431-01	PCB, END CONNECTOR	28.68
A039459-01	HARNESS MAIN POLEPOS	101.72
A039460-01	HARNESS PWR POLEPOS	45.08
A039463-01	HARNESS PEDAL UPRIGH	5.00
A039465-01	HARNESS MAIN POLEPOS	148.18
A039490-01	PCB, EMI SHIELD	82.76
A039502-01	SHIELD BD & FAS ASSY	91.72
A039507-01	PCB, STEERING NAMCO	20.88
A039512-01	C/PNL & DECAL QUANTM	77.28
A039514-01	C/PNL ASY QUANTUM	338.44
A039551-01	HARNESS MAIN QUANTUM	61.16
A039552-01	HARNESS CONTROL	11.90
A039574-21	PCB, CRYSTAL CASTLES	1173.18
A039576-01	COIN INTERCONNECT	5.28
A039579-01	SHLD BD/FASTEN ASSY	94.06
A039710-01	COIL, DEGAUSSING	2.78
A039737-01	LIGHT/SPEAKER ASY	48.54

* See page 11 for A039391-01 Utility Panel

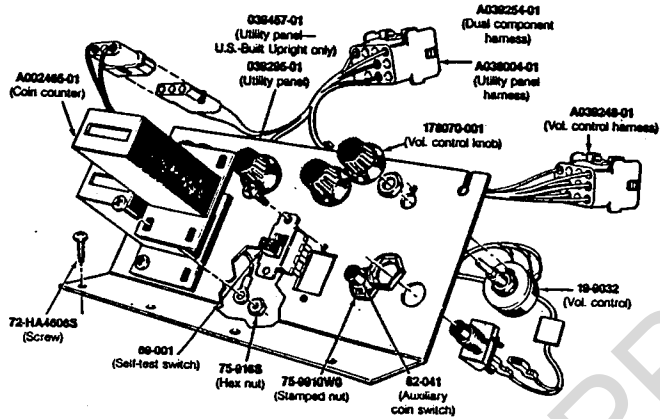


Gimbal-Type Joystick Assembly
A036951-01 C

PART NUMBER	DESCRIPTION	PRICE
A039745-01	C/PNL & DECAL FODFGT	70.76
A039746-01	C/PNL ASY FODDFGT UP	304.80
A039785-21	PCB, XEVIIOUS CPU	934.02
A039787-21	PCB, XEVIIOUS VIDEO	1337.76
A039824-01	C/PNL ASY XEVIIOUS U	218.84
A039825-01	C/PNL & DECAL XEVIIOU	62.88
A039850-01	MARQE & DECAL XEVOUS	35.96
A039852-01	LITE & SPEAKER ASY	91.52
A039853-01	LITE BRD ASY, LOWER	90.98
A039857-01	MARQUE ASSY XEVIIOUS	81.10
A039858-01	BEZEL, MTR XEVIIOUS	27.46
A039909-01	HARNESS MAIN FODDFIG	70.66
A039910-01	HARNESS PWR FODDFIGHT	22.52
A039911-01	HARNESS C/PNL FODDFIT	24.32
A039945-21	PCB, FODDFIGHT MAIN	1445.80
A039974-01	C/PNL ASY BLCK WIDOW	182.40
A039975-01	C/PNL & DECAL BLKWID	78.54
A039982-01	HARNESS MAIN XEVIIOUS	75.46
A039983-01	HARNESS PWR XEVIIOUS	34.68
A039984-01	HARNESS C/PNL XEVIIOU	24.38
A039985-01	LITE & SPKR HARN XEV	5.90
A039989-01	CONTROL HARNESS	39.60
A039990-01	HARNESS MAIN CONVER	9.94
A040003-21	PCB, BLACK WIDOW	1376.46
A040039-01	ELECT KIT ASY BL WID	207.54
A040053-01	HARNESS MAIN MPD CKT	201.22
A040056-01	HARNESS C/PNL CK MIL	11.62

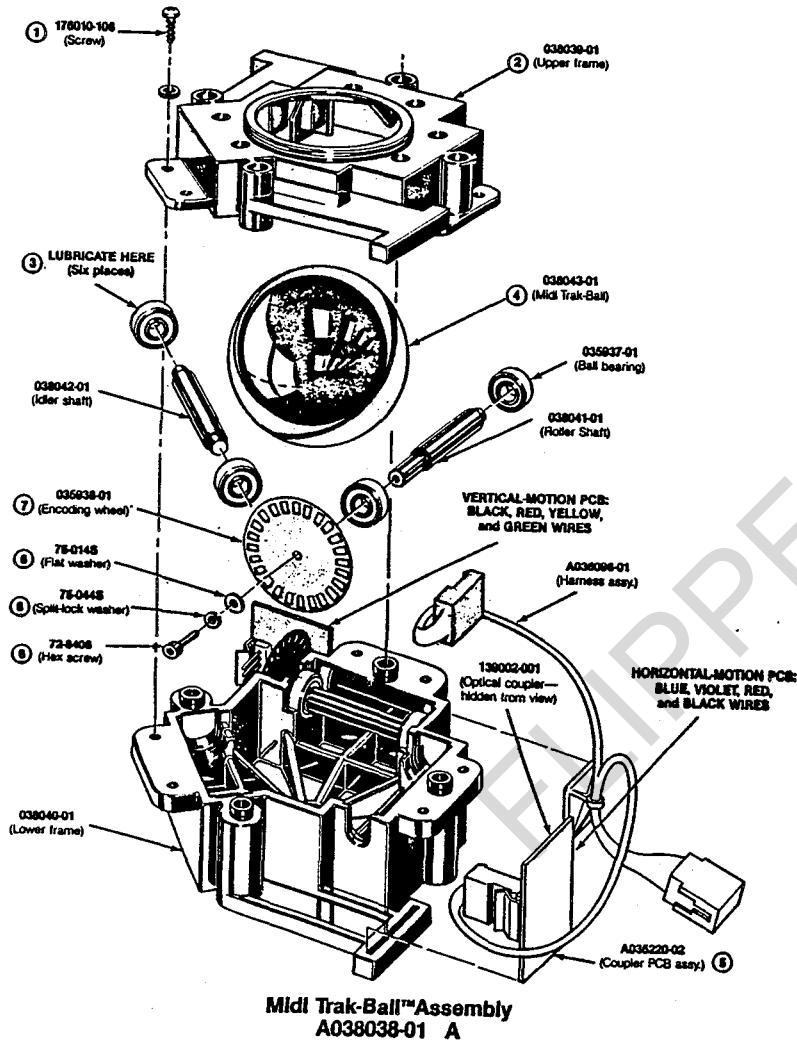


PART NUMBER	DESCRIPTION	PRICE
A040063-01	C/PNL ASY MILIP CKTL	305.08
A040064-01	C/PNL & DCAL MLPD-CK	79.06
A040105-01	MARQE & LITE ASY CRS	126.62
A040106-01	CON/PNL ASSY CRYSTAL	305.18
A040107-01	C/PNL & DECAL CRYSTL	60.72
A040108-01	SPEAKER GRIL & DECAL	117.16
A040125-01	MARQUE HOOD ASY**	19.06
A040233-01	FLIGHT CNTR ASY STWR	426.20
A040236-01	FRAME STEERING ASSY	57.60
A040247-01	FRAME HANDLE ASSY	71.28
A040251-01	STEERING COVER&DECAL	16.18
A040255-01	PCB, STARWAR INTERCNT	61.16
A040258-01	PCB, EMI SHIELD	81.22
A040260-21	PCB, STARWARS SOUND	511.02
A040270-01	C/PNL ASY ARABIAN	197.56
A040271-01	C/PNL & DECAL ARABIN	62.06
A040286-01	HARNESS MAIN ARABIAN	82.76
A040287-01	HARNESS PWR ARABIAN	41.56
A040301-01	TRAY & GUIDE ASSY	18.00
A040302-01	SHIELD & GLIDE EMI	81.36
A040313-01	C/PNL ASY FOODFT CKT	242.16
A040314-01	C/PNL WG FOODFGT CKT	67.72
A040373-01	C/PNL & DECAL STARWA	62.64
A040374-01	CON/PNL ASSY STARWAR	501.36
A040375-01	HOUSING LWR & DECAL	205.40
A040378-01	MARQE & DECAL STWR U	100.36
A040383-01	LIGHT/SPKR PNL ASSY	129.60



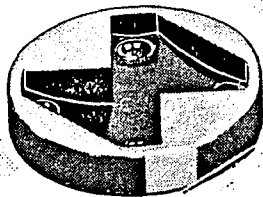
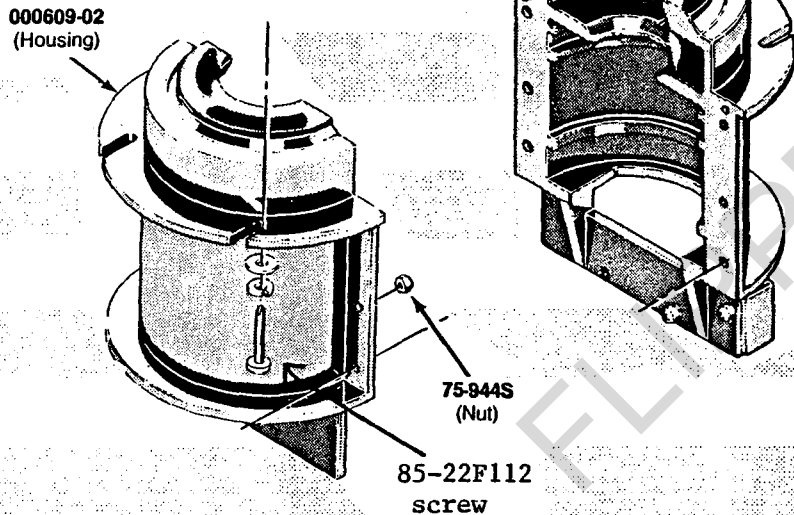
Utility Panel Assembly
A039391-xx C

PART NUMBER	DESCRIPTION	PRICE
A040413-01	UTILITY PANEL ASY	77.66
A040451-01	SPEAKER PANEL ASY SW	70.70
A040466-01	HARNESS MAIN STARWAR	89.00
A040467-01	HARNESS PWR STARWARS	32.36
A040468-01	HARNESS FLIGHT CONT	23.52
A040469-01	HARNESS LITE/SPEAKER	10.90
A040472-01	CABLE INTERCONNECT	5.24
A040475-01	HARNESS MAIN STWR SD	85.58
A040476-01	HARNESS POWER	36.62
A040477-01	HARNESS REAR SPEAKER	6.32
A040478-01	HARNESS SPEAKER	3.40
A040480-01	HARNESS LIGHT	3.88
A040510-01	PCB, STEERING POLE PO	26.48
A040513-01	HARNESS FAN	6.52
A040518-01	C/PNL ASY STARWAR SD	576.52
A040519-01	C/PNL & DECAL STWR S	41.24
A040531-01	HOUSING & DECAL SW S	196.80
A040547-01	FAN & BRACKET ASSY	50.24
A040581-01	HARNESS CONTROL	11.76
A040586-01	POWER CORD ASSY	4.70
A040587-01	POWER CORD ON OFF AS	19.44
A040695-01	HARNESS MAIN	66.48
A040696-01	HARNESS POWER	21.16
A040698-01	HARNESS OFF/ON ASSY	3.40
A040699-01	SWITCH ON/OFF	22.84
A040727-01	HARNESS MAIN	108.58
A040728-01	HARNESS POWER	32.64



PART NUMBER	DESCRIPTION	PRICE
A040729-01	HARNESS CONTROL ASSY	29.08
A200000-01	MONITOR 19"CLR XY AM	845.00
A200001-01	MONITOR 19"CLR RS AM	859.42
A200009-01	MONITOR 19"CLR XY AM	930.00
A200011-01	MONITOR 25"CL XY AMP	930.00
A201001-01	CRT 19" AMPLIPHN CLR	498.00
A201003-01	COIL,DEGAUSING	12.00
A201004-01	YOKE XY AMPLIFONE	18.34
A201005-01	TRANSFORMER HI VOLT	44.78
A201006-01	MAG COR ASSY AMPLIF	7.54
A201007-01	HARNESS HV ASSY	9.94
A201008-01	TRANSFORMER DRIVER	2.12
A201009-01	FOCUS ASSY AMPLIFONE	18.34
A201010-01	HARNESS ASSEMBLY	1.88
A201012-01	PCB,HI VOLT AMPLIFON	236.50
A201012-02	PCB,HI VOLT AMPLIFON	119.18
A201014-01	PCB,DEFLECT AMPLIFON	267.50
A201020-01	PCB,NECK CLR RST AMP	52.48
A201022-01	PCB,DEFLECT **	465.72
A201024-01	HARNESS ASSY,CLR RS	9.12
A201038-01	TRANSFORMER HI VOLT	66.58
A201042-01	YOKE CLR RASTER AMP	44.88
A201050-01	YOKE ASSY CLR RS AMP	47.86
A201092-01	CRT 19"CLR AMPL RSTR	382.48
A201106-01	CRT 19"CLR XY AMPLIF	326.00
A201107-01	COIL DEGAUSING	12.96
A201108-01	YOKE & HARNESS ASSY	44.92

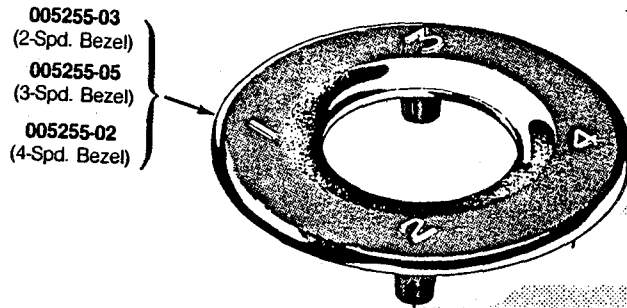
PART NUMBER	DESCRIPTION	PRICE
TM-129	THE BOOK	39.00
000590-02	FOOT PEDAL TOP RGDG	6.44
000599-02	COVER TAPPED	2.16
000605-01	STEERING HOUSING	5.28
000606-02	SHAFT TAPPED	4.42
000609-02	SHIFT HOUSING	5.16
000611-02	SHIFT DETENT H-PATT.	4.32
000616-01	HUB LITE RACETRACK	2.50
000869-01	GRILL SPEAKER	4.80
001551-02	TRANSFORMER	70.76
001848-01	TRIGGER GUARD	9.20
001851-01	LENS HOLDER	3.50
001853-01	CABLE ADAPTER	12.92
001854-01	TRIGGER	4.66
001856-01	BEZEL, ALUMINUM	2.02
001856-02	BEZEL, BLK ANODIZED	2.02
001940-01	CLAMP CABLE	4.32
002185-01	COIN DRAWER	22.08
002294-01	BUSHING	6.04
002298-01	ROD	0.48
002299-01	BUTTON RED	0.38
002300-01	ACTUATOR DISC	2.78
002302-01	SPRING RETURN	4.08
003053-01	RETAINER, LOWER PLEX	9.84
003186-01	PROM 82S115 RT-8 CAR	54.30
003187-01	PROM 82S23 RT-8 MOT	17.40
004320-01	COIN DOOR WELDMENT	94.80



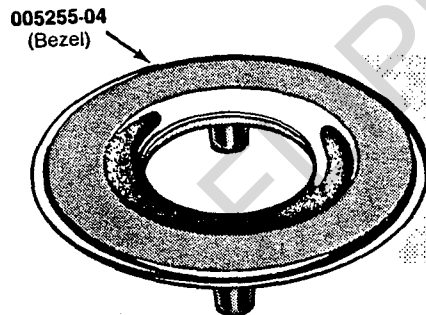
- 000611-02 ("H" Detent)
- 005671-02 ("N" Detent)
- 035792-01 (Strt. Detent)

PART NUMBER	DESCRIPTION	PRICE
004326-01	BUTTON SCAVENGER	5.80
004327-01	BEARING SCAVENGER BU	0.28
004756-01	SLOTTED YOKE	0.86
004770-01	CONN, SCORE PANEL	5.52
004841-02	MON/SHLD BREAKOUT UP	55.00
004921-01	FLIPPER 3.00"FLIPPER	1.24
005255-02	SHIFT BEZEL 1-2-3-4	5.90
005255-04	SHIFT BEZEL BLANK	4.80
005255-05	SHIFT BEZEL R-1-2-3	3.76
005310-01	RETAINING PIN	8.00
005314-01	BRACKET, POT LINKAGE	6.32
005333-01	HUB-POT LINK	0.76
005418-01	TACHOMETER	42.10
005419-02	SPEAKER GRILL	5.04
005671-02	SHIFT DETENT N-PATT.	2.78
005957-01	GLASS PLAYFIELD	29.00
005989-01	SCOREPANEL, GAS DISCH	60.00
006045-01	FLIPPER BEARING	0.28
006064-01	ACTUATOR SWITCH	0.24
006065-01	THUMPER BUMPER BODY	0.24
006261-02	C/PNL WG NIGHTDRIVER	52.80
006290-01	ROM MR SPRINT 2	36.00
006385-02	PROM 82S137 SPRINT 2	33.60
006392-01	PROM 82S137 SPRINT	33.60
006393-01	PROM 82S137 SPRINT	33.60
006394-01	PROM 82S137 SPRINT	33.60
006395-01	PROM 82S137 SPRINT	33.60

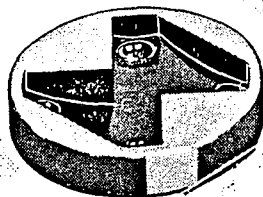
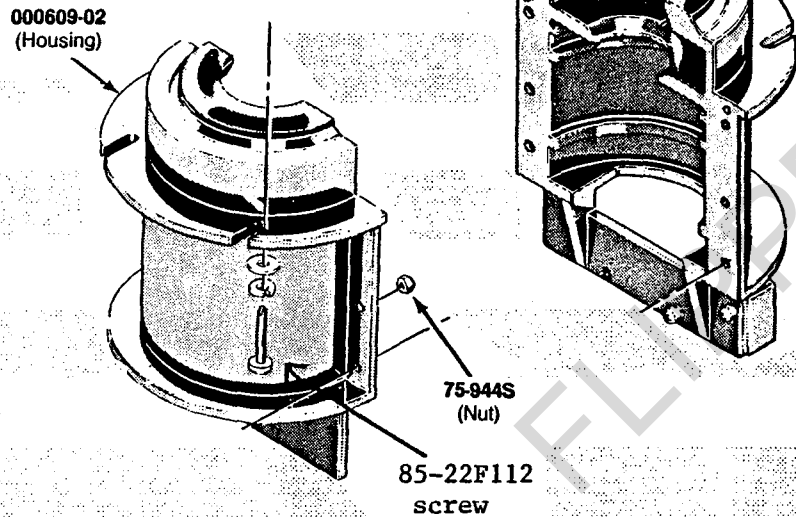
Atari, Inc.



NOTE
The shift bezel is not part of the gear shifter assembly and must be purchased separately.



PART NUMBER	DESCRIPTION	PRICE
TM-129	THE BOOK	39.00
000590-02	FOOT PEDAL TOP RDGED	6.44
000599-02	COVER TAPPED	2.16
000605-01	STEERING HOUSING	5.28
000606-02	SHAFT TAPPED	4.42
000609-02	SHIFT HOUSING	5.16
000611-02	SHIFT DETENT H-PATT.	4.32
000616-01	HUB LITE RACETRACK	2.50
000869-01	GRILL SPEAKER	4.80
001551-02	TRANSFORMER	70.76
001848-01	TRIGGER GUARD	9.20
001851-01	LENS HOLDER	3.50
001853-01	CABLE ADAPTER	12.92
001854-01	TRIGGER	4.66
001856-01	BEZEL, ALUMINUM	2.02
001856-02	BEZEL, BLK ANODIZED	2.02
001940-01	CLAMP CABLE	4.32
002185-01	COIN DRAWER	22.08
002294-01	BUSHING	6.04
002298-01	ROD	0.48
002299-01	BUTTON RED	0.38
002300-01	ACTUATOR DISC	2.78
002302-01	SPRING RETURN	4.08
003053-01	RETAINER, LOWER PLEX	9.84
003186-01	PROM 82S115 RT-8 CAR	54.30
003187-01	PROM 82S23 RT-8 MOT	17.40
004320-01	COIN DOOR WELDMENT	94.80

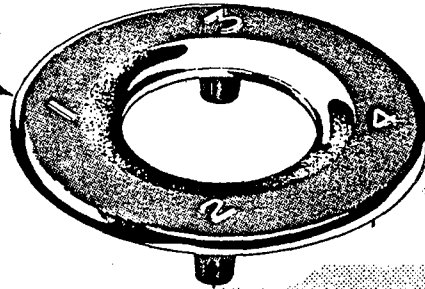


- 000611-02 ("H" Detent)
- 005671-02 ("N" Detent)
- 035792-01 (Strt. Detent)

PART NUMBER	DESCRIPTION	PRICE
004326-01	BUTTON SCAVENGER	5.80
004327-01	BEARING SCAVENGER BU	0.28
004756-01	SLOTTED YOKE	0.86
004770-01	CONN, SCORE PANEL	5.52
004841-02	MON/SHLD BREAKOUT UP	55.00
004921-01	FLIPPER 3.00"FLIPPER	1.24
005255-02	SHIFT BEZEL 1-2-3-4	5.90
005255-04	SHIFT BEZEL BLANK	4.80
005255-05	SHIFT BEZEL R-1-2-3	3.76
005310-01	RETAINING PIN	8.00
005314-01	BRACKET, POT LINKAGE	6.32
005333-01	HUB-POT LINK	0.76
005418-01	TACHOMETER	42.10
005419-02	SPEAKER GRILL	5.04
005671-02	SHIFT DETENT N-PATT.	2.78
005957-01	GLASS PLAYFIELD	29.00
005989-01	SCOREPANEL, GAS DISCH	60.00
006045-01	FLIPPER BEARING	0.28
006064-01	ACTUATOR SWITCH	0.24
006065-01	THUMPER BUMPER BODY	0.24
006261-02	C/PNL WG NIGHTDRIVER	52.80
006290-01	ROM MR SPRINT 2	36.00
006385-02	PROM 82S137 SPRINT 2	33.60
006392-01	PROM 82S137 SPRINT	33.60
006393-01	PROM 82S137 SPRINT	33.60
006394-01	PROM 82S137 SPRINT	33.60
006395-01	PROM 82S137 SPRINT	33.60

Atari, Inc.

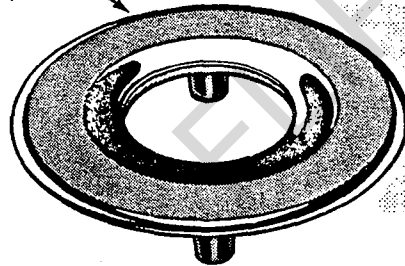
005255-03
(2-Spd. Bezel)
005255-05
(3-Spd. Bezel)
005255-02
(4-Spd. Bezel)

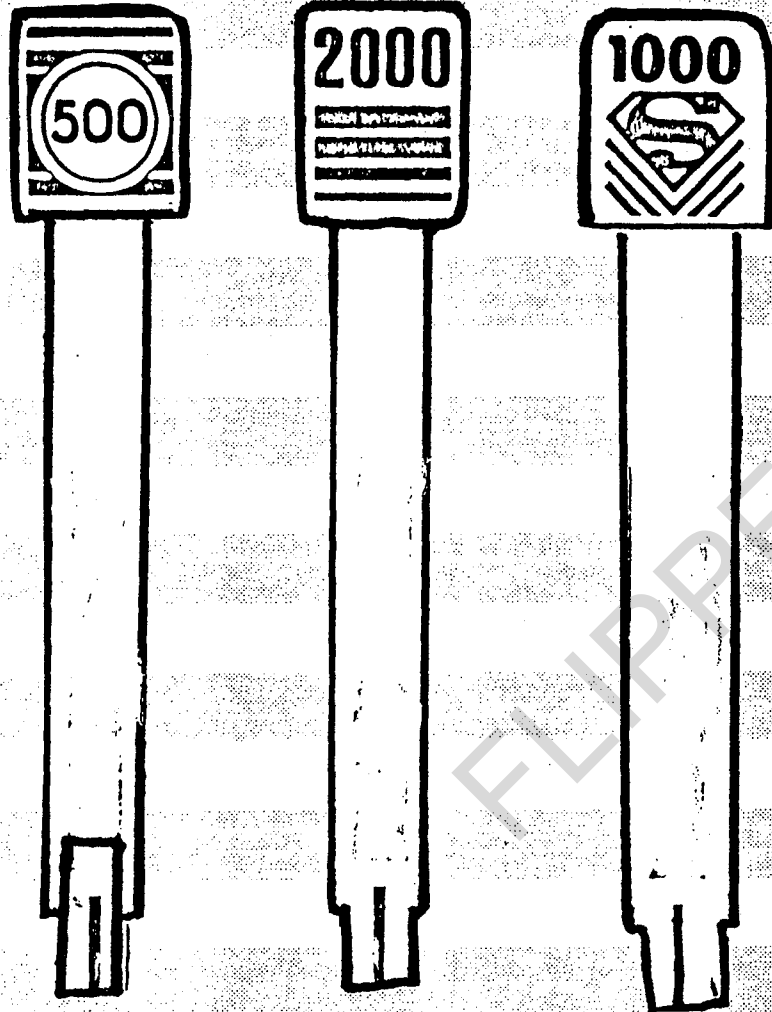


NOTE

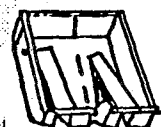
The shift bezel is not part of the gear shifter assembly and must be purchased separately.

005255-04
(Bezel)

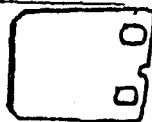




PART NUMBER	DESCRIPTION	PRICE
006396-01	PROM 82S131 SPRINT	21.00
006397-01	PROM 82S131 SPRINT	21.00
006400-01	PROM 82S129 SPRINT 1	21.36
006401-01	PROM 82S123 SPRINT 1	17.40
006405-02	ROM 8316 SRRINT 2	36.00
006530-01	BEZEL	0.62
006791-02	TUBE, SOLENOID	0.20
007658-01	TRACK SPUR GEAR (B T	5.76
007756-01	PROM 82S137 DOMINOS	33.60
007844-01	COVER ACETATE DIGITA	2.36
007859-01	SWITCH MICRO	6.82
007882-02	COVER FUSE BLOCK	3.98
007903-01	POT	13.68
008018-01	CABLE STEERING	40.00
008509-01	PROM 82S137, DRAGRACE	33.60
008580-01	BEZEL REAR SKYRAIDER	25.88
008792-01	EXTENDED PLAY SCORES	1.64
009470-01	HEATSINK	0.72
020061-01	SHAFT RESET BAR	1.30
020065-01	SPRING MULTIPLE DROP	0.20
020185-02	LONG POST RED	0.76
020252-01	PROM 82S131 AIRBORNE	21.00
020385-01	TARGET, SCRND (500)	1.48
020385-03	TARGET, SCREENED 2000	1.48
020385-04	TARGET SUPERMAN 1000	1.48
020386-01	TEST SWITCH BRACKET	2.06
020893-01	SWITCH FLIPPER BUTTN	3.16



030269-01
PLASTIC



030245-02
METAL
"INTERCHANGEABLE"



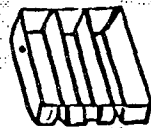
021699-01
METAL



030249-01



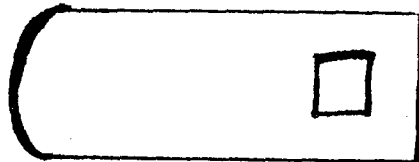
030247-01



021698-01
PLASTIC

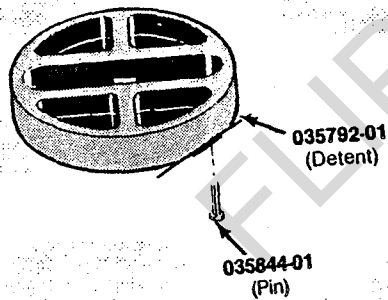
PART NUMBER	DESCRIPTION	PRICE
020897-01	MICROSWITCH MODIFIED	2.92
020897-04	MICROSWITCH MODIFIED	1.78
020923-01	SWITCH L FLIPPER SOL	2.54
020923-02	SWITCH R FLIPPER SOL	2.54
020965-01	ROM MR SPACE RIDER	36.00
020966-01	ROM MR SPACE RIDER	36.00
021021-01	BALL EJECTOR SPRING	0.44
021154-01	SHAFT	7.24
021198-01	FLIPPER BEARING	7.68
021225-03	SHAFT	34.00
021394-01	FLIPPER PIN-HERCULES	10.00
021406-01	LINK ARM PIN	2.02
021521-01	SPRING BALL SHOOTER	9.84
021698-01	CASH DRAWER	12.24
021699-01	LID,CASHBOX 3 SLIDE	14.40
021860-01	STIFFENER-THUM/BUMP	0.72
030182-01	PROM 82S185 ULTRATNK	68.70
030245-02	LID,CASH BOX MOD.II	14.40
030269-01	CASH DRAWER,PLASTIC	20.68
030616-01	PROM 82S185 AVALNCHE	68.70
032824-01	ROM MR FIRETRUCK	36.00
032825-02	ROM MR FIRETRUCK	36.00
032843-01	MARQUE WG LEMANS	25.92
032844-01	C/PNL WG LEMANS	91.20
032849-01	PLEX SKYDIVER	29.86
033127-01	BEZEL, BLK PLASTIC	0.58
033137-01	MON/SHLD SUPR BRKOUT	100.00

PART NUMBER	DESCRIPTION	PRICE
033211-01	CENTERING WASHER .68	1.44
033355-01	PLATE BASE	6.48
033356-01	PLATE TOP TRACKBALL	8.74
033357-01	PLATE COVER	7.68
033358-01	POST CORNER	13.10
033359-01	POST END	10.36
033362-01	SHAFT ROLLER	16.56
033363-01	POST STANDOFF	1.92
033364-01	POST ADJUSTABLE	7.30
033365-01	SPACER	1.32
033366-01	BALL LARGE TRACKBALL	39.00
033367-01	BEARING	4.52
033369-01	CAM, PINBALL COINDOOR	1.00
033722-02	PROM 82S137 FTBALL	33.60
033726-01	PROM 82S137 FTBALL	33.60
034240-01	PROM 82S137 VID PIN	33.60
034250-01	PROM 82S137 VID PIN	33.60
034448-01	BAR, HANDLE	17.52
034457-01	GRILL SPEAKER	17.18
034484-01	STOP, HANDLE LUN. LNDR	5.28
034516-01	RETAINER, SHIELD, LOWR	11.04
034587-01	PROM 82S137 LUN LAND	33.60
034602-01	PROM 82S129 VID. COM.	21.36
034760-01	PROM 82S185 BSKTBALL	68.70
034782-01	PROM 82S137 BSKTBALL	33.60
034913-02	BRACKET, MON. SUP. LEFT	12.00
035047-01	C/PNL & DECAL AST UP	72.00

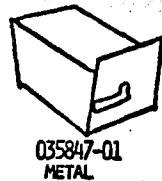


FLAT CAM 033369-01

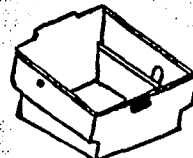
PART NUMBER	DESCRIPTION	PRICE
035049-01	MON/SHLD WG AST UP	78.00
035051-01	MARQUE WG AST DLX	55.20
035052-01	BEZEL, MONITOR AST	12.24
035052-02	BEZEL, FRNT ASTEROID	11.48
035127-02E	EPROM 2716 AST CKT	36.00
035143-02	ROM MR ASTEROIDS	36.00
035144-02	ROM MR ASTEROIDS	36.00
035144-04E	PROM 2716 ASTEROIDS	36.00
035145-02E	EPROM 2716 ASTEROID	36.00
035145-04E	PROM 2716 ASTEROIDS	36.00
035301-02	PIN, ACTUATOR RED	0.66
035328-01	PLYSLCT PNL, FOOTBALL	11.16
035384-01	C/PNL WG MISCOM UP	92.40
035386-01	MARQUE WG MISCOM UP	60.00
035387-01	BEZEL, MISLE COM UP	60.00
035403-01	MON/SHIELD SMOKED MC	24.36
035414-01	MON/SHLD MISSILE CMD	50.70
035472-01	PANEL, ATTRACTION	33.02
035745-02	EXTRUS. PCB, 18" LG.	1.20
035792-01	SHIFT DETENT ST. PATT	3.12
035808-02E	EPROM 2708 MISS COMM	36.00
035809-02E	EPROM 2708 MISS COMM	36.00
035811-02E	EPROM 2708 MISS COMM	36.00
035812-02E	EPROM 2708 MISS COMM	36.00
035813-02E	EPROM 2708 MISS COMM	36.00
035816-02E	EPROM 2708 MISS COMM	36.00
035817-02E	EPROM 2708 MISS COMM	36.00



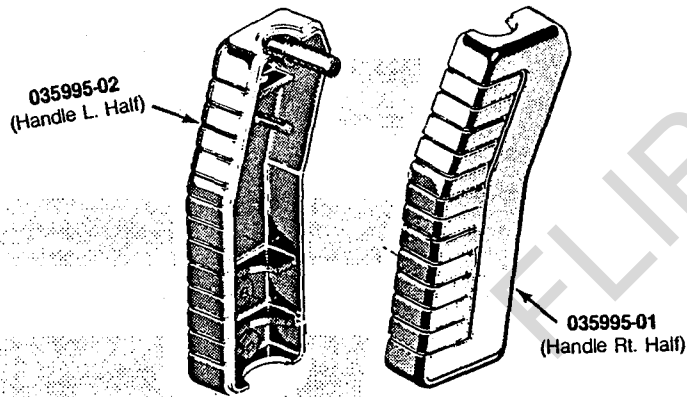
PART NUMBER	DESCRIPTION	PRICE
035818-02E	EPROM 2708 MISS COMM	36.00
035819-02E	EPROM 2708 MISS COMM	36.00
035820-01	ROM MR MISS COMM	36.00
035820-02	PROM 8316E MIS COMM	36.00
035821-01	ROM MR MIS COMMAND	36.00
035821-02	PROM 8316E MIS COMM	36.00
035822-01	ROM MR MIS COMMAND	36.00
035822-02	PROM 8316E MIS COMM	36.00
035822-03E	ROM 2716 MIS COMMAND	36.00
035823-01	ROM MR MIS COMMAND	36.00
035823-02	ROM 8316E	36.00
035824-01	ROM MR MIS COMMAND	36.00
035824-02	ROM 8316E	36.00
035825-01	ROM MR MIS COMMAND	36.00
035825-02	PROM 8316E MIS COMM	36.00
035826-01	PROM 82S123 MSSL CMD	6.60
035827-01	MARQUE WG BATTLEZONE	42.00
035828-01	DECAL INST BATTLEZON	2.92
035829-01	BEZEL, BACK BATTLEZN	13.92
035830-01	C/PNL & DECAL BATLZN	95.52
035844-01	ACTUATOR PIN LONG	0.52
035845-01	COVER COIN BOX	15.00
035847-01	WELDMENT, CASH BOX	38.40
035850-01	BRACKET, LATCH	1.96
035851-01	HINGE TOP PANEL	7.10
035852-01	BRACKET, CORNER	4.80
035867-02	OVERLAY, ACRYLIC BRNZ	12.48



PART NUMBER	DESCRIPTION	PRICE
035872-01	MOUNT COIN ACCEPTER	30.00
035878-01	C/PNL & DECAL AST CK	46.80
035879-01	GLASS WG AST CKT	88.50
035904-01	PROM 82S131 ASTEROID	21.00
035905-01	PROM 82S131 ASTEROID	21.00
035911-01	BEZEL, CKT ASTERIOD	5.38
035928-01	PLATE COVER	6.00
035931-01	SHAFT ROLLER	9.12
035932-01	STANDOFF	3.20
035936-01	BALL MINI-TRACK	8.64
035937-01	BALL BEARING	2.44
035938-01	ENCODER WHEEL, ETCHED	4.70
035941-01	COIN BOX PLASTIC	20.92
035995-01	HANDLE RIGHT BZ	2.76
035995-02	HANDLE LEFT BZ	1.12
036077-01	GLASS WG MISCOM CKT	111.30
036078-01	BEZEL, CKT MISLE COM	2.78
036124-01	BEZEL, BATTLE ZONE	1.82
036143-01	MIRROR BATTLEZONE	34.50
036191-01	FRAME UP, MINI TRKBAL	2.80
036192-01	FRAME LOW, MINI TRKBL	2.84
036193-01	SHAFT IDLER MINI	8.16
036220-01	MON/SHIELD BATLEZONE	39.24
036256-01	WINDOW, CTR. VIEW BZN	5.38
036262-01	BRACKET, COIN BOX	1.44
036263-01	OVERLAY, MONITOR, RED	1.64
036263-02	OVERLAY, MONITR, GREEN	2.78

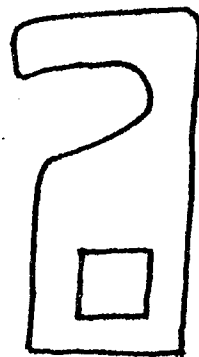


035941-01
PLASTIC
"DEEP WELL"



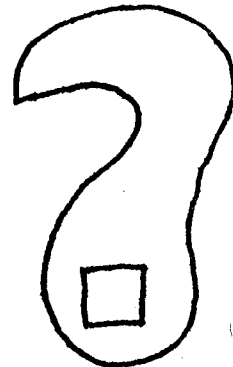
PART NUMBER	DESCRIPTION	PRICE
036276-01	BEZEL, HANDLE	2.10
036280-01	SHAFT PIVOT BZ	32.06
036282-01	SPRING ACTUATOR BZ	1.20
036360-01	MARQUE WG MISCOM CAB	32.70
036408-01	PROM 825129 BATTLEZONE	21.36
036409-01	ROM 8316E BATTLEZONE	36.00
036410-01E	EPROM 2716 BATTLEZONE	36.00
036411-01E	EPROM 2716	36.00
036413-01	ROM 8316E BATTLEZONE	36.00
036414-02	ROM 8316E BATTLEZONE	36.00
036421-01	ROM 8316E BATTLEZONE	36.00
036421-01E	EPROM 2716	36.00
036422-01	ROM 8316E BATTLEZONE	36.00
036430-01E	EPROM 2716 DLXASTER	36.00
036430-02E	EPROM 2716 DAST SLOW	36.00
036431-01E	PROM 2716 DLAST FAST	36.00
036431-02E	EPROM 2716 DAST SLOW	36.00
036432-01E	PROM 2716 DLX ASTERO	36.00
036432-02E	EPROM 2716 DAST SLOW	36.00
036433-02E	PROM 2716 DXAST FAST	36.00
036433-03E	EPROM 2716 DAST SLOW	36.00
036494-01	CONTROL PANEL BLANK	58.00
036498-01	RETAINER, UPPER PLEX	9.84
036499-01	MIRROR TRANSPARENT	49.20
**036614-01	MTR/SHLD FLAT DELUXE **	62.44
036615-01	MARQUE WG AST DLX UP	52.00
036617-01	BEZEL, DLX ASTEROID	25.32

NOTE: THE "FLAT MONITOR SHIELD" FOR ASTEROIDS DELUXE IS THE SHIELD USED ON THE ORIGINAL GAME. IF YOU HAVE AN ANTI-GLARE KIT ON THE ASTEROIDS DELUXE, THIS MONITOR SHIELD WILL NOT FIT AND YOU NEED TO ORDER PN A037536-01.



NEW VERSION

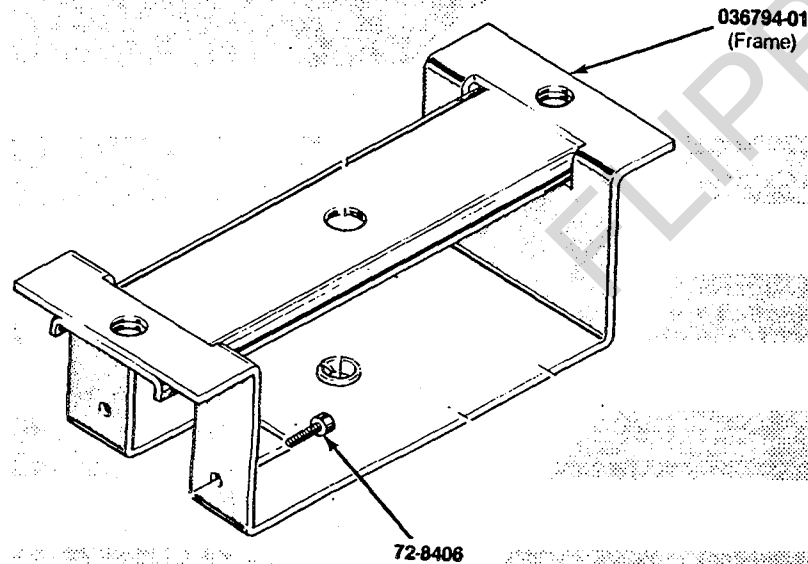
036764-01



OLD VERSION

71-3101

HOLDS TABLE TOP ON COCKTAIL GAMES



72-8406

* See page 24 for 036796-01,
036797-01 & 036798-01

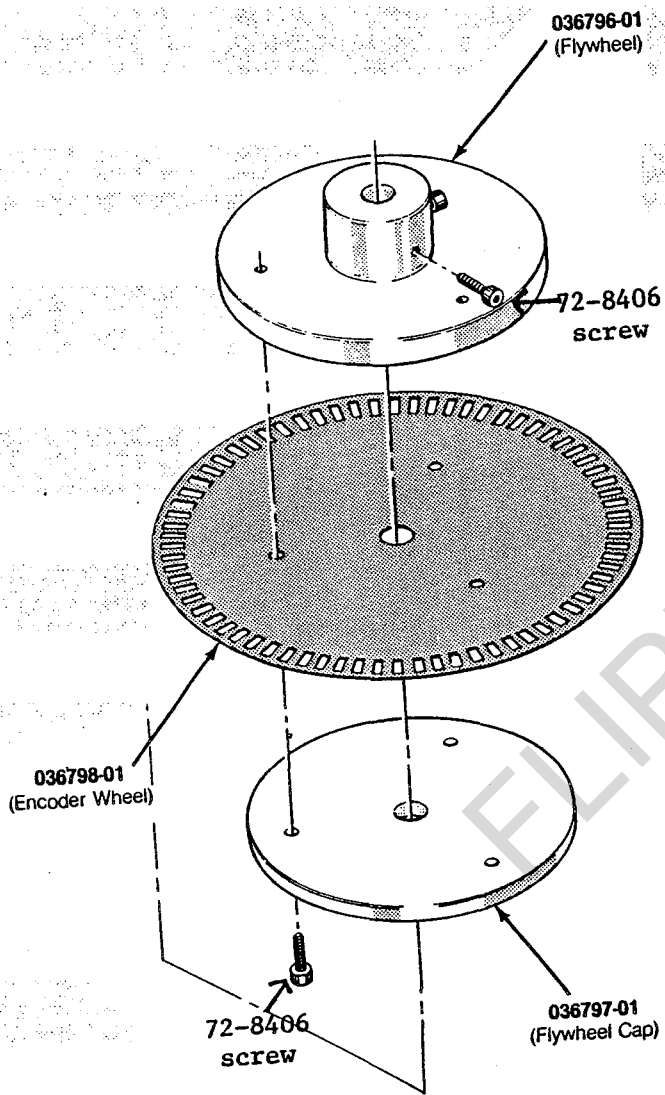
ATARI SERVICE PARTS PRICE LIST PAGE 22

PART NUMBER	DESCRIPTION	PRICE
036617-02	BEZEL, BACK AST DLX	24.00
036617-03	BEZEL, AST DELUXE	5.08
036617-04	BEZEL, REAR AST DLX	5.08
036617-05	BEZEL, SIDE, DLX ASTE	5.08
036764-01	CAM, COCKTAIL TOP	3.12
036781-01	GLASS WG ASTDLX CKT	75.76
036783-01	DECAL C/PNL DAST CKT	11.84
036794-01	FRAME ENCODER WHEEL	13.44
036795-01	ROLLER SHAFT	8.88
* 036796-01	FLYWHEEL	16.80
* 036797-01	CAP, FLYWHEEL	2.40
* 036798-01	ETCHED ENCODER WHEEL	10.80
036800-01E	PROM 8316E DLX AST	36.00
036800-02E	EPROM 2716 DAST SLOW	36.00
036887-01	MARQUE AST DLUXE CAB	36.68
036894-01	DECAL C/PNL AST UP	21.70
036895-01	BEZEL, BLK PLST/NTCH	0.58
036952-01	HOUSING PIVOT BALL	1.20
036953-01	PLATE SQUARE CONTROL	1.20
036954-01	PLATE MOUNTING	1.20
036955-01	CAP, BELLOWS	1.20
036956-01	GIMBAL INNER	1.20
036956-02	GIMBAL OUTER	1.20
036957-01	LINKAGE, GIMBAL	1.20
036963-01	PLATE SLIDE	2.30
036979-01	DECAL C/PNL ASTDLX	52.00
036996-01E	PROM 8316E RED BARON	36.00

PART NUMBER	DESCRIPTION	PRICE
037087-01	WINDOW,RR,SIT REDBRN	26.92
037155-01E	RDM 8316E WARLORDS	36.00
037222-01	DECAL C/PNL WARLORDS	30.66
037239-01	DECAL C/PNL ASTDX CB	45.80
037300-04	DECAL C/PNL SP DUEL	32.00
037303-01	MON/SHLD SMOKED	34.56
037309-01	RETAINER,UPPER	7.96
037318-01	MARQUE WG SPACE DUEL	46.84
037322-01	BEZEL, MONITOR BLK	11.62
037332-01	GRILL VENT UPPER	27.60
037335-01	BRACE, CKTL TABLE	13.20
037382-01	GLASS COCKTAIL CLEAR	57.96
037407-01	DECAL C/PNL CENTIPED	46.90
037410-01	MARQUE GLASS CLEAR	7.90
037411-01	MARQUE WG CENT UP	47.28
037413-01	MON/SHIELD CENT UR	71.10
037419-02	PANEL,REAR DOOR U/R	30.52
037443-03	BEZEL,MONITOR BLACK	14.16
037518-01	DECAL SIDE CENTIPEDE	90.00
037519-01	MARQUE WG CENT CAB	53.64
037520-01	DECAL C/PNL CENT CAB	34.66
037522-01	MON/SHLD CENTIPD CAB	50.16
037529-01	BRACKET,MONITOR CAB	7.20
037539-02	SPACER SHIELD LEFT	11.52
037539-03	SPACER SHIELD RIGHT	11.52
037569-01	MARQUE WG RED BARON	31.68
037573-02	DECAL SIDE R RDBARON	118.70

This Cocktail Glass is CLEAR and has no graphics →

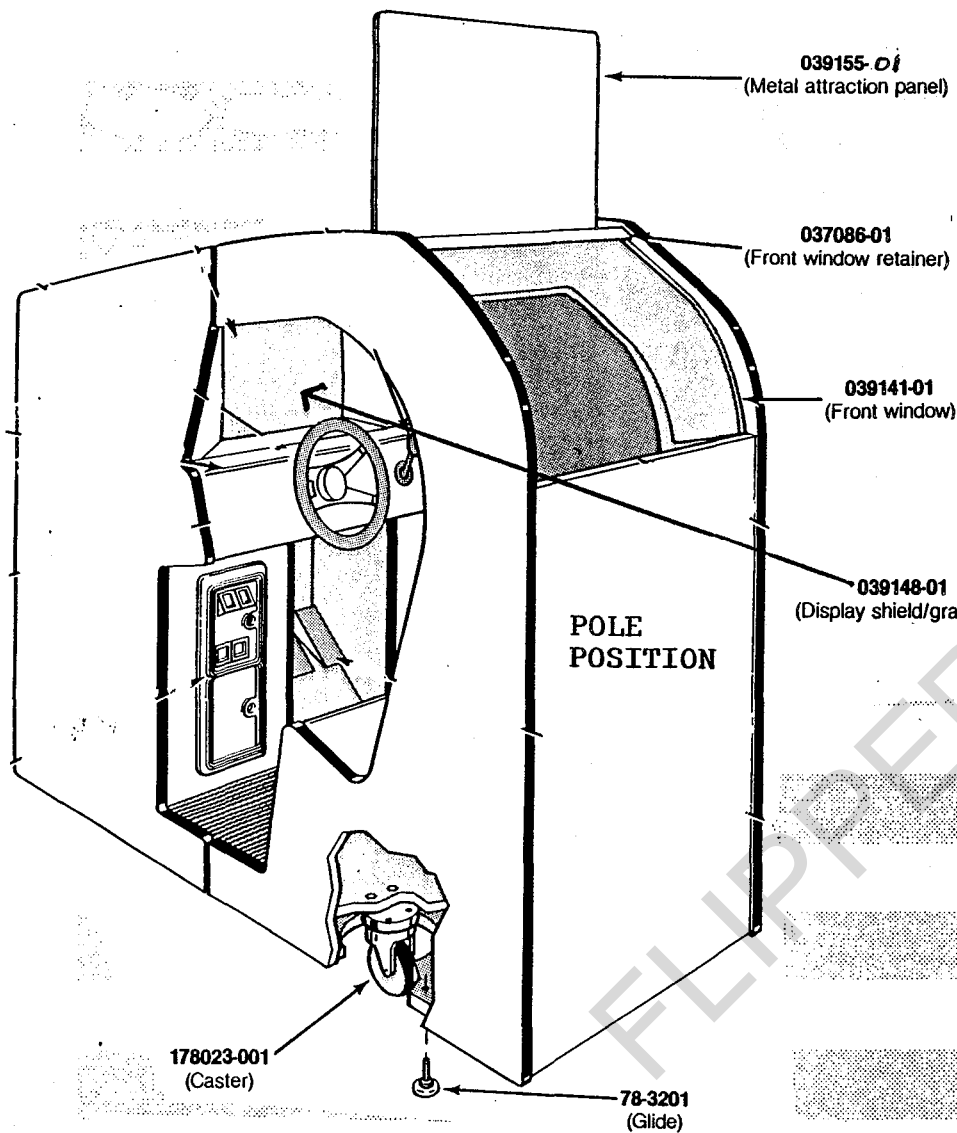
This monitor bezel is BLACK, we no longer stock it in BLUE. →



PART NUMBER	DESCRIPTION	PRICE
037576-01	RETAINER, UP REDBARON	12.00
037577-01	RETAINER, PLEX/SHIELD	10.32
037628-01	MARQUE OPENFACE BZ	48.72
037629-01	MON/SHLD WG BATLEZON	48.38
037681-01	BEZEL, MONITOR BLK	24.00
037710-01	DECAL MARQUE TMPST	36.00
037712-01	GRILL MARQUE SP DUEL	4.80
037713-01	MARQUE GLS CLR TEMP	9.00
037731-01	RETAINER, MONITR SHLD	8.64
037732-01	GRILL LOWER SPEAKER	10.80
037734-01	MON/SHIELD TEMPEST	84.00
037738-01	DECAL C/PNL TMPST	52.80
037743-01	BEZEL, MONITOR TEMP	9.60
037750-01	BRACKET, MONITOR SUPP	2.60
037753-01	BRACKET, COINMECH RET	9.12
037755-01	GLASS WG CENT 14*CKT	93.10
037762-01	DECAL C/PNL CNTPD CK	37.00
037768-01	FAN, GRILL CT. TABLE	6.00
037791-01	BAR, LATCH	12.24
037792-01	BRACKET, MONITOR MNTG	18.72
037822-03	ACCESS PANEL, COCKTL	20.40
037829-01	OVERLAY, MTR TEMP CKT	21.64
037833-01	BRACKET, LATCH GUIDE	5.04
037833-02	BRACKET, LATCH GUIDE	3.76
037873-01	SPACER	2.00
037873-02	SPACER	2.00
037905-01	GLASS WG TEMPEST CKT	92.64

PART NUMBER	DESCRIPTION	PRICE
037908-01	DECAL C/PNL TEMP CKT	17.36
037972-01	MON/SHIELD TMPST CAB	58.38
037975-01	DECAL C/PNL TEMP CAB	27.66
037984-01	MARQUE WG TEMP CAB	83.58
037990-01	GRILL VENT	12.00
037995-01	DECAL SIDE TEMP CAB	72.72
038039-01	FRAME TOP,MID-TRKBAL	3.84
038040-01	FRAME LOW,MID-TRKBAL	4.70
038041-01	SHAFT ROLLER MID TB	8.56
038042-01	SHAFT IDLER MID TB	6.76
038043-01	BALL MIDI-TRACKBALL	33.60
038043-02	BALL MIDI FLUORESENT	31.20
038091-01	COIN BOX	12.92
038121-01	PANEL ACES SERVSDOOR	14.48
038121-02	PANEL SERVICE DOOR	30.28
038127-01	PANEL CKT SPACE DUEL	48.00
038129-01	OVERLAY, MONITOR	24.20
038130-01	GRILL FAN/SPEAKER	13.20
038131-01	BRACKET, MONITOR	5.28
038132-01	BRACKET, MONITOR	14.40
038133-01	BRACKET, LATCH ARM	5.76
038147-01	BEZEL, MONITOR	74.88
038148-01	GLASS WG SPCDUEL CKT	114.98
038149-04	DECAL C/PNL SDUEL CK	23.32
038173-01	CONTROL PANEL BLANK	45.60
038174-04	DECAL C/PNL GRAVITAR	32.56
038177-01	MARQUE WG GRAVITAR	34.72

PART NUMBER	DESCRIPTION	PRICE
038181-01	BRACKET, MONITOR SUPP	3.60
038184-01	STATIC SHIELD	1.30
038232-01	BEZEL, MONITOR	24.76
038267-01	CONTROL PANEL BLANK	45.84
038268-04	DECAL C/PNL DIGDUG U	28.70
038273-01	MARQUE WG DIGDUG UP	30.84
038274-01	MON/SHLD WG DIGDUG U	65.94
038324-01	CONTROL PANEL BLANK	50.84
038325-04	DECAL C/PNL DDUG CAB	42.00
038326-01	MARQUE WG DIGDUG CAB	21.60
038327-01	MON/SHLD DIGDUG CAB	41.04
038331-01	DECAL SIDE DIDUG CAB	44.40
038365-01	TABLE TOP WOOD CKT	74.76
038366-01	GLASS WG DIG DUG CKT	104.34
038367-04	DECAL C/PNL DIGD CKT	16.56
038376-01	CONTROL PANEL BLANK	43.20
038385-01	BRACKET, START SWITCH	7.20
038418-04	DECAL C/PNL KANGRO U	33.60
038419-01	MON/SHLD KANGAROO	65.96
038420-01	MARQUE WG KANGAROO	30.84
038491-01	MON/SHLD LIBERATOR	24.48
038493-01	BEZEL, MONITOR	19.68
038494-01	MARQUE WG LIBERATOR	46.88
038495-01	RETAINER, UPPER	8.88
038496-01	GRILL SPEAKER	27.32
038498-01	CONTROL PANEL LIB	60.48
038505-01	RETAINER, LOWER	14.40



ATARI SERVICE PARTS PRICE LIST PAGE 27

PART NUMBER	DESCRIPTION	PRICE
038506-04	DECAL C/PNL LIBERATR	38.16
038641-01	GRILL SPEAKER	8.40
038781-01	WELDMENT, ENCLOSURE C	51.36
038842-01	SHAFT CONTROL	18.00
038870-01	COIN BOX ENCLOSURE	46.56
039132-01	SPACER SHIFTER	1.30
* 039141-01	WINDOW, SD PPS SMOKE	40.80
039143-01	CONTROL PANEL BLANK	46.60
039144-01	SPEAKER GRILL	7.58
** 039148-01	MON/SHLD POLEPOS SD	45.68
039149-01	BEZEL, VIDEO DISPLAY	18.72
039153-04	DECAL C/PNL POLE SD	32.48
039154-01	SPACER SHIFTER	3.08
039155-01	MARQUE WG PPSD METAL	52.52
039230-01	CAP, STEERING	16.56
039231-01	STEERING SHAFT	44.64
039232-01	SPACER	1.30
039233-01	SHAFT ENCODER	10.32
039236-01	PIVOT PIN	9.22
039238-01	PULLEY	6.96
039239-01	BASEPLATE WELDMENT	26.26
039240-01	FOOT PEDAL (GAS)	27.40
039241-01	SAFETY TREAD	2.20
039242-01	CABLE POLE POSITION	2.70
039243-01	LABEL STEERING CAP	1.52
039295-01	BRACKET CONTROL 4VOL	12.24
039313-04	DECAL MARQUE MPD UP	26.00

* 039141-01 1/8" smoked plex ships flat, will bend to fit

** 039148-01 Monitor Shield the arrow in your manual is pointing to the window..please change your manual so that the arrow points to the shield above the steering wheel

PART NUMBER	DESCRIPTION	PRICE
039314-04	DECAL SPEAKER MPD	29.38
039315-04	DECAL C/PNL MLPD UP	25.44
039317-01	MONITOR SHIELD	42.40
039318-01	MARQUE GLASS CLEAR	11.00
039320-01	BEZEL, MONITOR MPD U	15.36
039323-05	MARQUE FRAME WOOD	20.30
039343-01	CONTROL PANEL BLANK	44.64
039344-01	GRILL SPEAKER	27.60
039345-01	RETAINER,ATTR PANEL,	8.26
039349-01	PANEL,ACCESS	17.42
039359-02	PANEL,ACCESS,UP REAR	10.58
039363-02	BASE DISPLAY COMP	9.94
039371-01	RETAINER,MTR SHLD,PP	13.68
039373-01	CON/PANEL BLANK PPS	39.60
039376-01	PANEL,DOOR PPS	16.04
039379-01	PLATE FOOT PEDAL	23.56
039407-01	BEZEL, VIDEO DISPLAY	18.24
039409-04	DECAL C/PNL POLE UP	24.36
039417-01	MON/SHLD POLEPOS UP	96.88
039418-01	MARQUE WG POLEPOS UP	49.48
039419-04	DECAL DASHBRD POLPOS	9.36
039432-01	CONN,PCB	6.96
039457-01	BRACKET CONTROL 2VOL	11.28
039485-03	DECAL MARQUE POLE PO	10.46
039511-04	DECAL C/PNL QUANTUM	44.46
039513-01	CONTROL PANEL BLANK	46.80
039521-01	MON/SHLD SMOKED	38.46

C42127L DATE: 08/11/83

ATARI SERVICE PARTS PRICE LIST PAGE 29

PART NUMBER	DESCRIPTION	PRICE
039523-01	BRACKET, SHIELD SUPPO	13.68
039525-01	MARQUE WG QUANTUM UP	64.54
039530-01	BEZEL, MONITOR, QUAN	19.68
039531-01	BRACKET, MONITOR SUPP	17.62
039703-01	SPRING EXTENSN CABLE	1.02
039704-01	SPRING EXT FOOT PEDL	1.32
039744-01	CONTROL PANEL BLANK	46.08
039749-04	DECAL C/PNL FOODFIGHT	35.98
039750-01	BEZEL, MONITOR BLACK	20.92
039751-01	MARQUE WG FOOD FIGHT	77.86
039752-01	MON/SHLD FOOD FIGHT	106.38
039826-01	CONTROL PANEL BLANK	39.60
039827-04	DECAL C/PNL XEVIQUS	33.96
039832-01	BEZEL, DISPLAY WG	20.40
039837-04	PANEL, LITE & SHIELD	31.06
039843-01	RETAINER, SHIELD	8.54
039848-01	RETAINER, MARQUE PNL	8.16
039849-01	MARQUE GLASS CLR XEV	7.84
039854-04	DECAL LOWER XEVIQUS	26.26
039855-04	DECAL MARQUE XEVIQUS	46.90
039856-04	DECAL BACK XEVIQUS	44.24
039859-01	OVERLAY SMOKE ACRY	7.06
039860-01	MON/SHLD WG XEVIQUS	55.48
039940-01	BALL KNOB BLACK	5.76
039976-04	DECAL C/PNL BLKWIDOW	39.28
039977-01	MARQUE WG BLK WIDOW	69.00
039978-01	DECAL SIDE L BLKWID	110.16

C42127L DATE: 08/11/83

ATARI SERVICE PARTS PRICE LIST PAGE 30

PART NUMBER	DESCRIPTION	PRICE
039978-02	SIDE R DECAL BLKWD	110.16
040036-01	PLATE ON/OFF	10.70
040066-04	DECAL C/PNL MLPD CKT	43.76
040067-01	GLASS MILLIPEDE CKT	132.38
040091-01	HANDLE LEFT MACHINE	24.00
040091-02	HANDLE RIGHT	24.00
040093-01	COVER RIGHT HANDLE	18.24
040093-02	COVER LEFT HANDLE	18.24
040096-01	BUTTON THROTTLE	0.24
040113-01	CONTROL PANEL BLANK	41.28
040114-01	WELDMENT, SPKR GRILL	49.44
040115-01	BRACKET MOUNTING	13.78
040116-01	BRACKET MOUNTING	4.56
040118-01	SHIELD, SPKR GRILLE	5.42
040129-01	PANEL, DOOR	21.74
040136-01	MARQUE CLEAR GLASS**	7.70
040139-03	DECAL CONT/PNL CRYST	19.44
040140-03	DECAL MARQUE**CRYSTL	29.52
040141-03	DECAL SPKR GRILLE	17.42
040142-01	BEZEL, DISPLAY	14.26
040234-01	SHAFT STEERING	17.04
040235-01	GEAR SPUR 60T W/HUB	4.52
040240-01	BUMPER STOP	2.20
040241-01	BEARING SPACER	0.48
040242-01	SHAFT HANDLE	39.84
040243-01	BEARING	0.76
040244-01	PIN, SPRING HANDLE	2.16

C42127L DATE: 08/11/83

ATARI SERVICE PARTS PRICE LIST PAGE 31

PART NUMBER	DESCRIPTION	PRICE
040248-01	STEERING COVER	9.60
040249-01	GEAR SPUR 14T W/HUB	3.70
040252-01	SPRING COMPRESSION	0.20
040257-01	HOUSING LOWER	196.80
040264-01	SHAFT ENCODER	13.44
040272-02	DECAL MARQUE ARABIAN	10.84
040273-01	MON/SHLD WG ARABIAN	111.94
040274-04	DECAL C/PNL ARABIAN	27.52
040303-01	TRIGGER	0.28
040331-03	DECAL C/PNL FF CKT	20.44
040331-04	DECAL C/PNL MLPD CKT	20.44
040332-01	GLASS WG FFIGHT CKT	94.56
040369-01	RETAINER, MARQUE	8.16
040370-01	GRILL SPEAKER	27.84
040371-01	MON/SHLD STARWARS UP	34.66
040372-01	CONTROL PANEL BLANK	40.80
040376-01	SHIELD, STATIC	2.62
040376-02	SHIELD, STATIC	1.86
040377-01	BEZEL, MTR STWRS UP	16.32
040379-03	DECAL MARQUE STARWAR	19.88
040380-03	DECAL C/PNL STARWARS	21.84
040382-04	DECAL HOUSING L STWR	9.46
040382-05	DECAL HOUSING M STWR	9.46
040382-06	DECAL HOUSING R STWR	9.46
040382-07	DECAL FLIGHT/CON STW	6.62
040412-01	BRACKET COMPONENT	10.08
040439-01	RUBBER FLOOR MAT	16.12

C42127L DATE: 08/11/83

ATARI SERVICE PARTS PRICE LIST PAGE 32

PART NUMBER	DESCRIPTION	PRICE
040443-02	PANEL DOOR	8.40
040448-01	CAP CORNER MACHINE	17.24
040449-01	SPEAKER SEAT PANEL	2.28
040454-01	MARQE RETAINER STWR	9.60
040455-01	MARQE RETAINER UPPER	13.20
040456-01	RETAINER,CANOPY	11.04
040458-01	MON/SHIELD STWRS SD	36.60
040460-01	MARQUE WG STARWR SD	63.90
040463-01	WINDOW,FRNT STWAR SD	79.20
040485-01	CONTROL PANEL BLANK	49.06
040520-03	DECAL C/PNL STWAR SD	21.64
040521-01	CONTROL PANEL BLANK	41.24
040526-01	BEZEL, MTR STWRS SD	23.32
040527-03	DECAL CANOPY SW SD	56.44
040528-01	WINDOW, TOP STRWAR SD	48.72
040529-01	RETAINER,CANOPY TOP	9.74
040532-04	DECAL HOUSING LEFT	6.28
040532-06	DECAL HOUSING RIGHT	6.28
040546-01	BRACKET FAN	6.18
08-0302050	PARTS CATALOG**	10.00
08-0302052	WINDBREAKER, SMALL	24.12
08-0302053	WINDBREAKER, MEDIUM	24.12
08-0302054	WINDBREAKER, LARGE, BL	24.12
08-0302055	WINDBREAKER, X-LARGE	24.12
08-0302058	ASHTRAY, ATARI	3.50
08-0302059	RAINBOW VANILLA SM	24.12
08-0302060	RAINBOW VANILLA MED	24.12

C42127L DATE: 08/11/83

ATARI SERVICE PARTS PRICE LIST PAGE 33

PART NUMBER	DESCRIPTION	PRICE
08-0302061	RAINBOW VANILLA LG	24.12
08-0302062	RAINBOW VANILLA XLG	24.12
08-0302065	TSHRT ASTEROIDS SMA	10.56
08-0302066	TSHRT ASTEROIDS MED	10.56
08-0302067	TSHRT ASTEROIDS LGE	10.56
08-0302068	TSHRT ASTEROIDS XLGE	10.56
08-0302074	TSHRT MIS COMM SM	10.56
08-0302075	TSHRT MIS COMM MED	10.56
08-0302076	TSHRT MIS COMM LGE	10.56
08-0302077	TSHRT MIS COMM XLGE	10.56
08-0302079	CABLE CTF1, INTERFACE	20.00
08-0302080	PROFIT POWER BOOK	6.00
08-0302081	TSHRT BATTLEZONE SMA	10.56
08-0302082	TSHRT BATTLEZONE MED	10.56
08-0302083	TSHRT BATTLEZONE LGE	10.56
08-0302084	TSHRT BATTLEZONE XLG	10.56
08-0302087	TSHRT DLX ASTRD SM	10.56
08-0302088	TSHRT DLX ASTRD MED	10.56
08-0302089	TSHRT DLX ASTRD LGE	10.56
08-0302090	TSHRT DLX ASTRD XLGE	10.56
08-0302099	TSHRT CENTIPEDE SM	10.56
08-0302101	TSHRT CENTIPEDE LGE	10.56
08-0302102	TSHRT CENTIPEDE XLGE	10.56
08-0302112	TSHRT TEMPEST SMA	10.56
08-0302113	TSHRT TEMPEST MED	10.56
08-0302114	TSHRT TEMPEST LGE	10.56
08-0302115	TSHRT TEMPEST XLGE	10.56

PART NUMBER	DESCRIPTION	PRICE
08-0302119	TSHRT SPACEDUEL SMA	10.56
08-0302120	TSHRT SPACEDUEL MED	10.56
08-0302121	TSHRT SPACEDUEL LGE	10.56
08-0302122	TSHRT SPACEDUEL XLGE	10.56
08-0302124	TSHRT DIG DUG SMA	10.56
08-0302125	TSHRT DIG DUG MED	10.56
08-0302126	TSHRT DIG DUG LGE	10.56
08-0302127	TSHRT DIG DUG XLGE	10.56
08-0302129	TSHRT KANGAROO SMA	10.56
08-0302130	TSHRT KANGAROO MED	10.56
08-0302131	TSHRT KANGAROO LGE	10.56
08-0302132	TSHRT KANGAROO XLGE	10.56
08-0302134	PAPER CUBE, ATARI LOG	9.62
08-0302135	SWTSHRT HOOD NVY SML	32.40
08-0302136	SWTSHRT HOOD NVY MED	32.40
08-0302137	SWTSHRT HOOD NVY LRG	32.40
08-0302139	SWTSHRT PULLOVER SML	21.86
08-0302140	SWTSHRT PULLOVR MED	21.86
08-0302141	SWTSHRT PULLOVER LRG	21.86
08-0302142	SWTSHRT PULLOVR XLRG	21.86
08-0302143	PANTS, SWEAT SMALL	21.06
08-0302144	PANTS, SWEAT MEDIUM	21.06
08-0302145	PANTS, SWEAT LARGE	21.06
08-0302146	PANTS, SWEAT XLGE	21.06
08-0302147	JACKET, ZIPPER, SMALL	27.94
08-0302148	JACKET, ZIPPER, MEDIUM	27.94
08-0302149	JACKET, ZIPPER, LARGE	27.94

C42127L DATE: 08/11/83

ATARI SERVICE PARTS PRICE LIST PAGE 35

PART NUMBER	DESCRIPTION	PRICE
08-0302150	JACKET, ZIPPER, XTRLRG	27.94
08-0302151	JRSY VNECK BLU/WH SM	15.92
08-0302152	JRSY VNECK BLU/WH MD	15.92
08-0302153	JRSY VNECK BLU/WH LG	15.92
08-0302154	JRSY VNECK BLU/WH XL	15.92
08-0302155	BUCKLE, BRASS BELT	11.20
08-0302158	BUMPER STK I LUV VID	1.00
08-0302159	PEN, SHAEFFER, ATARI	3.90
08-0302160	TSHRT GRAVITAR SMA	10.56
08-0302161	TSHRT GRAVITAR MED	10.56
08-0302162	TSHRT GRAVITAR LGE	10.56
08-0302163	TSHRT GRAVITAR XLGE	10.56
08-0302164	SWTSRT HOOD LTBLU SM	32.40
08-0302165	SWTSRT HOOD LTBLU MD	32.40
08-0302166	SWTSRT HOOD LTBLU LG	32.40
08-0302167	SWTSRT HOOD LTBLU XL	32.40
08-0302168	JRSY VNECK RD/WH SML	15.92
08-0302171	JRSY VNECK RD/WH XLG	15.92
08-0302175	RAINBOW SHRT NVY SM.	24.12
08-0302176	RAINBOW SHRT NVY, MED	24.12
08-0302177	RAINBOW SHRT NVY, LRG	24.12
08-0302178	RAINBOW SHRT NVY, XLG	24.12
08-0302179	TSHRT CENT CHLD 10/12	8.56
08-0302182	TSHRT DIG CHLD 10/12	8.56
08-0302183	TSHRT DIG CHLD 14/16	8.56
08-0302185	TSHRT KANG CHLD 10/12	8.82
08-0302186	TSHRT KANG CHLD 14/16	8.82

PART NUMBER	DESCRIPTION	PRICE
08-0302188	JRSY VNECK RED	15.92
08-0302189	JRSY VNECK RED MED	15.92
08-0302190	JRSY VNECK RED LARGE	15.92
08-0302191	JERSEY, VNECK, RED, XLG	15.92
08-0302193	CAP, BASEBALL, RED	7.60
08-0302194	CAP, BASEBALL, YELLOW	7.60
08-0302195	CAP, BASEBALL, GREEN	7.60
08-0302196	CAP, BASEBALL, BLACK	7.60
08-0302197	CAP, BASEBALL, RYL BLU	7.60
08-0302198	PIN, SPACE DUEL	3.50
08-0302199	PIN, ASTEROIDS	3.50
08-0302200	PIN, BATTLEZONE	3.50
08-0302201	PIN, TEMPEST	3.50
08-0302202	PIN, KANGAROD	3.50
08-0302203	PIN, MISSILE COMMAND	3.50
08-0302204	PIN, DELUXE ASTEROID	3.50
08-0302205	PIN, CENTIPEDE	3.50
08-0302206	PIN, DIG DUG	3.50
08-0302207	PIN, GRAVITAR	3.50
08-0302208	SWEATER VNECK CRM SM	36.00
08-0302209	SWEATER VNECK CREM M	36.00
08-0302210	SWEATER VNECK CREM L	36.00
08-0302211	SWEATER VNECK CRM XL	36.00
08-0302212	SWEATER VNECK BURG S	36.00
08-0302213	SWEATER VNECK BUR MD	36.00
08-0302214	SWEATER VNECK BURG L	36.00
08-0302215	SWEATER VNECK BUR XL	36.00

PART NUMBER	DESCRIPTION	PRICE
08-0302216	SHIRT POLO YELLOW XS	26.28
08-0302217	SHIRT POLO YELLOW SM	26.28
08-0302218	SHIRT POLO YELLOW MD	26.28
08-0302219	SHIRT POLO YELLOW LG	26.28
08-0302220	SHIRT POLO YELLOW XL	26.28
08-0302221	SHIRT POLO LAV XSM	26.28
08-0302222	SHIRT POLO LAV SMALL	26.28
08-0302223	SHIRT POLO LAV MED	26.28
08-0302224	SHIRT POLO LAV LARGE	26.28
08-0302225	SHIRT POLO LAV XLRG	26.28
08-0302226	JRSY I LUV ATARI SM	11.88
08-0302227	JRSY I LUV ATARI MED	11.88
08-0302228	JRSY I LUV ATARI LRG	11.88
08-0302229	JRSY I LUV ATARI XLG	11.88
08-0302230	SHIMMAL, OXFORD, SMALL	6.24
08-0302231	SHIMMAL, OXFORD, MED	6.24
08-0302232	SHIMMAL, OXFORD, LARGE	6.24
08-0302233	SHIMMAL, OXFORD, XLARG	6.24
08-0302234	TSHRT LIBERATOR SMA	10.56
08-0302235	TSHRT LIBERATOR MED	10.56
08-0302236	TSHRT LIBERATOR LGE	10.56
08-0302237	TSHRT LIBERATOR XLGE	10.56
08-0302238	TSHIRT POLE POS SML	12.12
08-0302239	TSHIRT POLE POS MED	12.12
08-0302240	TSHIRT POLE POS LRG	12.12
08-0302241	TSHIRT POLE POS XLRG	12.12
08-0302242	TSHRT MILLIPEDE SMA	10.56

PART NUMBER	DESCRIPTION	PRICE
08-0302243	TSHRT MILLIPEDE MED	10.56
08-0302244	TSHRT MILLIPEDE LGE	10.56
08-0302245	TSHRT MILLIPEDE XLGE	10.56
08-0302246	TSHRT QUANTUM SMA	10.56
08-0302247	TSHRT QUANTUM MED	10.56
08-0302248	TSHRT QUANTUM LGE	10.56
08-0302249	TSHRT QUANTUM XLGE	10.56
08-0302250	TSHRT LIB CHLD 10-12	8.56
08-0302251	TSHRT LIB CHLD 12-14	8.56
08-0302252	TSHRT MLPD CHLD10-12	8.56
08-0302253	TSHRT MLPD CHLD12-14	8.56
08-0302256	PIN, POLE POSITION	3.50
08-0302257	PIN, MILLIPEDE	3.50
08-0302258	PIN, LIBERATOR	3.50
08-0302266	TSHRT XEVIUS SMALL	10.56
08-0302267	TSHRT XEVIUS MED	10.56
08-0302268	TSHRT XEVIUS LARGE	10.56
08-0302269	TSHRT XEVIUS XLGE	10.56
08-0302274	TSHRT FOOD FIGHT SMA	10.56
08-0302275	TSHRT FOOD FIGHT MED	10.56
08-0302276	TSHRT FOOD FIGHT LGE	10.56
08-0302277	TSHRT FOOD FIGHT XLG	10.56
08-0302278	TSHRT FFIGHT CHLD MD	8.56
08-0302279	TSHRT FFIGHT CHLD LG	8.56
08-0302280	PIN, XEVIUS	3.50
08-0302281	PIN, FOOD FIGHT	3.50
08-0302287	TSHRT FFIGHT CHLD SM	8.56

PART NUMBER	DESCRIPTION	PRICE
08-0302294	TSHRT STWRS KID SMA	8.56
08-0302295	TSHRT STWRS KID MED	8.56
08-0302296	TSHRT STWRS KID LGE	8.56
08-0302297	TSHRT STAR WARS SMA	10.56
08-0302298	TSHRT STAR WARS MED	10.56
08-0302299	TSHRT STAR WARS LGE	10.56
08-0302300	TSHRT STAR WARS XLGE	10.56
08-0302320	TSHRT LIB CHLD SMALL	8.56
08-0303030	CATBOX Z80A**INTERFC	65.00
08-0303041	XEVIDIOUS ENHANCEMENT	84.00
08-0303045	KIT, TEST PLUG, PAT 9060	143.00
100017-001	RAM 16K	4.20
107012-001	LUBRICANT, DRY, TEFLON	25.96
110004-001	VARISTOR, 8V	1.82
110012-030	RES POSITIVE TC	3.12
116000-220	RESISTOR, 220 OHM	0.50
116001-040	RESISTOR, 4 OHM 5W	1.32
116001-102	RESISTOR, 1K OHM	0.56
116001-500	RESISTOR, WW, 50 OHM, 5	1.28
118000-221	RES NETWORK 220	2.36
118000-222	RES NETWORK 2.2	2.36
118001-472	RES NETWORK 4.7	0.66
118002-222	RES NETWORK 2.2	1.60
118002-472	RES NETWORK 4.7	0.66
118003-102	RES DIP NETWORK	1.66
118003-222	RES DIP NETWORK	1.66
119002-202	POT 2K OHM	1.32

Blank test plug kit makes 3 plugs →

PART NUMBER	DESCRIPTION	PRICE
119002-203	POT 20K OHM	1.32
119003-102	POT 1K OHM	2.40
119006-103	POT DUAL VOLUMN CONT	4.92
119007-103	POT 10K OHM HORIZ	1.68
121007-473	CAP, .047UF, 50V, POLYCY	1.80
121015-103	CAP, 10KPF, 50V, 10%, CE	0.24
121015-104	CAP, .1UF, 50V, 10%, CER	0.64
121020-102	CAP, 1000PF, 50V, 10%, C	1.10
121020-330	CAP, 33PF, 50V, 10%, CER	1.20
121020-471	CAP, 470PF, 50V, 10%, CR	1.60
121021-105	CAP, 1UF, 20V, 10%, TANT	2.36
121022-104	CAP, .1UF, 100V, 10%, PL	0.28
122008-224	CAP, 22UF, 25V, CERAMIC	0.46
122010-473	CAP, .047UF, 50V, PLYCA	1.44
122016-151	CAP, 150PF, 100V, 5%, CR	0.38
122016-221	CAP, 220PF, 100V, 5%, CR	0.38
123000-107	CAP, 100UF, ALUM	0.28
123001-477	CAP, 470UF, 50V, AL-ELE	0.60
123002-336	CAP, 33UF, 250V, AL-ELE	0.64
123003-107	CAP, 100UF, 25V, AL-ELE	0.32
123004-101	CAP, 100UF, 16V, 20%, AE	0.24
123004-471	CAP, 470UF, ALUM	0.42
123005-225	CAP, 2.2UF, 50V, 20%, AE	0.24
123006-106	CAP, 10UF, 16V, 20%, AE	0.24
123007-106	CAP, ALUM ELEC, 10UF, 2	0.40
123008-477	CAP, 470UF, 50V, AL-EL	3.96
123009-227	CAP, ALUM ELEC, 220UF	0.60

PART NUMBER	DESCRIPTION	PRICE
128002-100	CAP, 10PF, 100V, MICA	0.36
128002-101	CAP, 100PF, 100V, MICA	0.32
128002-151	CAP, 150PF, 100V, MICA	0.36
128002-220	CAP, 22PF, 100V, MICA	0.32
128002-221	CAP, 220PF, 100V, MICA	0.50
128002-330	CAP, 33PF, 100V, MICA	0.34
128002-331	CAP, 330PF, 100V, MICA	0.68
128002-390	CAP, .039PF, 100V, MICA	0.32
128002-391	CAP, 390PF, 100V, MICA	0.72
128002-470	CAP, .047PF, 100V, MICA	0.24
128002-680	CAP, .068PF, 100V, MICA	0.32
129001-224	CAP, .22UF 250V	1.92
13-5390	RESISTOR, 330HM, 2W	0.40
13-5680	RESISTOR, 68 OHM 2W	0.38
13-5682	RESISTOR, CARBON	0.40
131005-001	SCR, 15V, .8A	0.96
131005-003	RECTIFIER 15V, 0.8A	0.74
131008-001	RECTIFIER FAST REC 1	9.60
133003-001	TRANSISTOR, MPSU07	1.10
133005-001	TRANSISTOR, BU406 NPN	4.52
133006-001	TRANSISTOR, 2N3716	2.12
133007-001	TRANSISTOR, 2N3792	4.80
133008-001	TRANSISTOR, PNP, MPSU5	1.10
133009-001	TRANSISTOR, NPN 225V	1.16
133010-001	TRANSISTOR, NPN, 50V, 4	1.10
133012-001	TRANSISTOR, NPN POWER	3.48
133013-001	TRANSISTOR, PNP HV	0.44

PART NUMBER	DESCRIPTION	PRICE
133014-001	TRANS,NPN HV	5.40
134002-001	CRT 19"CLR RCA NCP22	264.72
134002-002	CRT 19"CLR RCA LTP22	264.72
134004-001	19"CRT CLR XY AMPLIF	285.00
136001-207	EPROM 2716 CENTIPEDE	36.00
136001-208	EPROM 2716 CENTIPEDE	36.00
136001-209	EPROM 2716 CENTIPEDE	36.00
136001-210	EPROM 2716 CENTIPEDE	36.00
136001-211	EPROM 2716 CENTIPEDE	36.00
136001-212	EPROM 2716 CENTIPEDE	36.00
136001-213	PROM 82S129, CENTIPE	21.36
136001-307	EPROM 2716 CENTIPEDE	36.00
136001-308	EPROM 2716 CENTIPEDE	36.00
136001-309	EPROM 2716 CENTIPEDE	36.00
136001-310	EPROM 2716 CENTIPEDE	36.00
136002-113	EPROM 2716 TEMPEST	36.00
136002-114	EPROM 2716 TEMPEST	36.00
136002-115	EPROM 2716 TEMPEST	36.00
136002-116	EPROM 2716 TEMPEST	36.00
136002-118	EPROM 2716 TEMPEST	36.00
136002-119	EPROM 2716 TEMPEST	36.00
136002-120	EPROM 2716 TEMPEST	36.00
136002-121	EPROM 2716 TEMPEST	36.00
136002-124	EPROM 2716 TEMPEST	36.00
136002-125	PROM 82S129	21.36
136002-126	PROM 82S123 TEMPEST	21.36
136002-127	PROM 82S129 TEMPEST	21.36

PART NUMBER	DESCRIPTION	PRICE
136002-128	PROM 82S129	21.36
136002-129	PROM 37-82S129,TEMP	21.36
136002-130	PROM 37-82S129,TEMP	21.36
136002-131	PROM 37-82S129,TEMP	21.36
136002-132	PROM 37-82S129,TEMP	21.36
136002-133	ROM 2532 TEMPEST	50.00
136002-134	EPROM 2532 TEMPEST	50.00
136002-136	EPROM 2532 TEMPEST	50.00
136002-138	EPROM 2532 TEMPEST	50.00
136002-217	EPROM 2716 TMPFIX J1	36.00
136002-222	EPROM 2716 TEMPEST	36.00
136002-235	EPROM 2532 TEMPEST	50.00
136002-237	EPROM 2532 TEMPEST	50.00
136006-102	EPROM 2532 SP DUEL	50.00
136006-103	EPROM 2532 SP DUEL	50.00
136006-104	EPROM 2532 SP DUEL	50.00
136006-105	EPROM 2532 SP DUEL	50.00
136006-106	EPROM 2716 SP DUEL	36.00
136006-107	EPROM 2532 SP DUEL	50.00
136006-201	EPROM 2532 SP DUEL	36.00
136007-101	EPROM 2732 DIGDUG	50.00
136007-102	EPROM 2732 DIGDUG	50.00
136007-103	EPROM 2732 DIGDUG	50.00
136007-104	EPROM 2732 DIGDUG	50.00
136007-105	EPROM 2732 DIGDUG	50.00
136007-106	EPROM 2732 DIGDUG	50.00
136007-107	EPROM 2732 DIGDUG	50.00

PART NUMBER	DESCRIPTION	PRICE
136007-108	EPROM 2716 DIGDUG	36.00
136007-109	PROM 82S129	21.36
136007-110	PROM 82S129	21.36
136007-111	PROM 82S129	21.36
136007-112	PROM 82S129	21.36
136007-113	PROM 82S123	17.40
136007-114	EPROM 2732 32K	50.00
136007-115	EPROM 2532 32K	50.00
136007-116	EPROM 2532 32K	50.00
136007-117	EPROM 2532 DIG DUG	50.00
136007-118	EPROM 2532 DIG DUG	50.00
136007-119	EPROM 2532 32K	50.00
136007-121	EPROM 2732 DIGDUG	50.00
136007-122	EPROM 2732 DIGDUG	50.00
136007-123	EPROM 2732 DIGDUG	50.00
136007-124	EPROM 2732 DIGDUG	50.00
136007-125	EPROM 2732 DIGDUG	50.00
136007-201	EPROM 2732 DIGDUG	50.00
136007-202	EPROM 2732 DIGDUG	50.00
136007-203	EPROM 2732 DIGDUG	50.00
136007-204	EPROM 2732 DIGDUG	50.00
136007-205	EPROM 2732 DIGDUG	50.00
136007-206	EPROM 2732 DIGDUG	50.00
136008-101	EPROM 2732 KANGAROO	50.00
136008-102	EPROM 2732 KANGAROO	50.00
136008-103	EPROM 2732 KANGAROO	50.00
136008-104	EPROM 2732 KANGAROO	50.00

PART NUMBER	DESCRIPTION	PRICE
136008-105	EPROM 2732 KANGAROO	50.00
136008-106	EPROM 2732 KANGAROO	50.00
136008-107	EPROM 2732 KANGAROO	50.00
136008-108	EPROM 2732 KANGAROO	50.00
136008-109	EPROM 2732 KANGAROO	50.00
136008-110	EPROM 2732 KANGAROO	50.00
136008-111	EPROM 2732 KANGAROO	50.00
136008-112	EPROM 2716 KANGAROO	36.00
136010-101	EPROM 2532 GRAVITAR	50.00
136010-102	EPROM 2532 GRAVITAR	50.00
136010-103	EPROM 2532 GRAVITAR	50.00
136010-104	EPROM 2532 GRAVITAR	50.00
136010-105	EPROM 2532 GRAVITAR	50.00
136010-106	EPROM 2532 GRAVITAR	50.00
136010-107	EPROM 2532 GRAVITAR	50.00
136010-108	EPROM 2532 GRAVITAR	50.00
136010-109	EPROM 2532 GRAVITAR	50.00
136010-110	EPROM 2716 GRAVITAR	36.00
136010-112	PROM 825123 GRAV/BWD	17.40
136010-201	EPROM 2532 GRAVITAR	50.00
136010-202	EPROM 2532 GRAVITAR	50.00
136010-203	EPROM 2532 GRAVITAR	50.00
136010-204	EPROM 2532 GRAVITAR	50.00
136010-205	EPROM 2532 GRAVITAR	50.00
136010-206	EPROM 2532 GRAVITAR	50.00
136010-207	EPROM 2532 GRAVITAR	50.00
136010-208	EPROM 2532 GRAVITAR	50.00

PART NUMBER	DESCRIPTION	PRICE
136010-209	EPROM 2532 GRAVITAR	50.00
136010-210	EPROM 2532 GRAVITAR	50.00
136010-306	EPROM 2532 GRAVITAR	50.00
136010-309	EPROM 2532 GRAVITAR	50.00
136012-101	EPROM 2532 LIBERATOR	50.00
136012-102	EPROM 2532 LIBERATOR	50.00
136012-103	EPROM 2532 LIBERATOR	50.00
136012-104	EPROM 2532 LIBERATOR	50.00
136012-105	EPROM 2532 LIBERATOR	50.00
136012-106	EPROM 2532 LIBERATOR	50.00
136012-107	EPROM 2532 LIBERATOR	50.00
136012-108	EPROM 2532 LIBERATOR	50.00
136012-109	EPROM 2532 LIBERATOR	50.00
136012-110	EPROM 2532 LIBERATOR	50.00
136012-121	PROM 82S129 LIBERATO	21.36
136012-122	PROM 82S129 LIBERATO	21.36
136012-123	PROM 82S129 LIBERATO	21.36
136012-124	PROM 82S129 LIBERATO	21.36
136012-125	PROM 82S129 LIBERATO	21.36
136012-126	PROM 82S129 LIBERATO	21.36
136012-200	EPROM 2532 LIBERATOR	50.00
136012-201	EPROM 2532 LIBERATOR	50.00
136012-202	EPROM 2532 LIBERATOR	50.00
136012-203	EPROM 2532 LIBERATOR	50.00
136012-204	EPROM 2532 LIBERATOR	50.00
136012-205	EPROM 2532 LIBERATOR	50.00
136012-206	EPROM 2532 LIBERATOR	50.00

PART NUMBER	DESCRIPTION	PRICE
136013-101	EPR0M 2532 MILLIPEDE	50.00
136013-102	EPR0M 2532 MILLIPEDE	50.00
136013-103	EPR0M 2532 MILLIPEDE	50.00
136013-104	EPR0M 2532 MILLIPEDE	50.00
136013-107	EPR0M 2716 MILLIPEDE	36.00
136014-101	EPR0M 2764 POLE POS	70.00
136014-102	EPR0M 2764 POLE POS	70.00
136014-105	EPR0M 2764 POLE POS	70.00
136014-106	EPR0M 2764 POLE POS	70.00
136014-110	EPR0M 2764 POLE POS	70.00
136014-111	EPR0M 2764 POLE POS	70.00
136014-116	EPR0M 2732 POLE POS	50.00
136014-117	PROM 82S129 POLE POS	21.36
136014-118	PROM 82S129 POLE POS	21.36
136014-119	EPR0M 2763 POLE POS	70.00
136014-120	EPR0M 2764 POLE POS	70.00
136014-121	EPR0M 2764 POLE POS	70.00
136014-122	EPR0M 2764 POLE POS	70.00
136014-123	EPR0M 2764 POLE POS	70.00
136014-124	EPR0M 2764 POLE POS	70.00
136014-125	EPR0M 2764 POLE POS	70.00
136014-126	EPR0M 2764 POLE POS	70.00
136014-127	EPR0M 2764 POLE POS	70.00
136014-128	EPR0M 2764 POLE POS	70.00
136014-132	EPR0M 2732 POLE POS	50.00
136014-133	EPR0M 2732 POLE POS	50.00
136014-134	EPR0M 2732 POLE POS	50.00

PART NUMBER	DESCRIPTION	PRICE
136014-135	PROM 82S123 POLE POS	17.40
136014-136	PROM 82S123 POLE POS	17.40
136014-137	PROM 82S129 POLE POS	21.36
136014-138	PROM 82S129 POLE POS	21.36
136014-139	PROM 82S129 POLE POS	21.36
136014-140	PROM 82S129 POLE POS	21.36
136014-141	PROM 82S129 POLE POS	21.36
136014-142	PROM 82S129 POLE POS	21.36
136014-143	PROM 82S129 POLE POS	21.36
136014-144	PROM 82S129 POLE POS	21.36
136014-145	PROM 82S137 POLE POS	33.60
136014-146	PROM 82S137 POLE POS	33.60
136014-161	ROM MR POLE POSITION	21.60
136014-162	ROM MR POLE POSITION	21.60
136014-164	ROM MR POLE POSITION	21.60
136014-203	EPRM 2764 POLE POS	70.00
136014-204	EPRM 2764 POLE POS	70.00
136014-231	EPRM 2732 POLE POS	50.00
136016-101	EPRM 2764 QUANTUM	70.00
136016-102	EPRM 2764 QUANTUM	70.00
136016-103	EPRM 2764 QUANTUM	70.00
136016-104	EPRM 2764 QUANTUM	70.00
136016-105	EPRM 2764 QUANTUM	70.00
136016-106	EPRM 2764 QUANTUM	70.00
136016-107	EPRM 2764 QUANTUM	70.00
136016-108	EPRM 2764 QUANTUM	70.00
136016-109	EPRM 2764 QUANTUM	70.00

PART NUMBER	DESCRIPTION	PRICE
136016-110	EPROM 2764 QUANTUM	70.00
136016-201	EPROM 2764 QUANTUM	70.00
136016-203	EPROM 2764 QUANTUM	70.00
136016-206	EPROM 2764 QUANTUM	70.00
136016-208	EPROM 2764 QUANTUM	70.00
136017-102	EPROM 2532 BLACK WID	50.00
136017-103	EPROM 2532 BLACK WID	50.00
136017-104	EPROM 2532 BLACK WID	50.00
136017-105	EPROM 2532 BLACK WID	50.00
136017-106	EPROM 2532 BLACK WID	50.00
136017-107	EPROM 2532 BLACK WID	50.00
136017-108	EPROM 2532 BLACK WID	50.00
136017-109	EPROM 2532 BLACK WID	50.00
136017-110	EPROM 2532 BLACK WID	50.00
136018-101	EPROM 2732 XEVIDIOUS	50.00
136018-102	EPROM 2764 XEVIDIOUS	70.00
136018-103	EPROM 2732 XEVIDIOUS	50.00
136018-104	EPROM 2732 XEVIDIOUS	50.00
136018-105	EPROM 2732 XEVIDIOUS	50.00
136018-106	EPROM 2732 XEVIDIOUS	50.00
136018-107	EPROM 2764 XEVIDIOUS	70.00
136018-108	EPROM 2732 XEVIDIOUS	50.00
136018-109	EPROM 2764 XEVIDIOUS	70.00
136018-110	EPROM 2764 XEVIDIOUS	70.00
136018-111	PROM 82S131 XEVIDIOUS	21.00
136018-112	PROM 82S131 XEVIDIOUS	21.00
136018-113	PROM 82S131 XEVIDIOUS	21.00

PART NUMBER	DESCRIPTION	PRICE
136018-114	PROM 82S131 XEVIIOUS	21.00
136018-115	PROM 82S129 XEVIIOUS	21.36
136018-116	PROM 82S129 XEVIIOUS	21.36
136018-117	PROM 82S129 XEVIIOUS	21.36
136018-118	EPR0M 2764 XEVIIOUS	70.00
136018-119	EPR0M 2764 XEVIIOUS	70.00
136018-120	EPR0M 2764 XEVIIOUS	70.00
136018-127	EPR0M 2732 XEVIIOUS	50.00
136018-128	PROM 82S129 XEVIIOUS	21.36
136018-129	PROM 82S129 XEVIIOUS	21.36
136018-218	EPR0M 2764 XEVIIOUS	70.00
136018-219	EPR0M 2764 XEVIIOUS	70.00
136018-220	EPR0M 2764 XEVIIOUS	50.00
136018-318	EPR0M 2764 XEVIIOUS	50.00
136018-319	EPR0M 2764 XEVIIOUS	50.00
136020-101	EPR0M 2764 FOODFIGHT	70.00
136020-102	EPR0M 2764 FOODFIGHT	70.00
136020-103	EPR0M 2764 FOODFIGHT	70.00
136020-104	EPR0M 2764 FOODFIGHT	70.00
136020-105	EPR0M 2764 FOODFIGHT	70.00
136020-106	EPR0M 2764 FOODFIGHT	70.00
136020-107	EPR0M 2764 FOODFIGHT	70.00
136020-108	EPR0M 2764 FOODFIGHT	70.00
136020-111	EPR0M 2764 FOODFIGHT	70.00
136020-113	EPR0M 2764 FOODFT CK	70.00
136020-114	EPR0M 2764 FOODFT CK	70.00
136020-115	EPR0M 2764 FOODFT CK	70.00

C42127L DATE: 08/11/83

ATARI SERVICE PARTS PRICE LIST PAGE 51

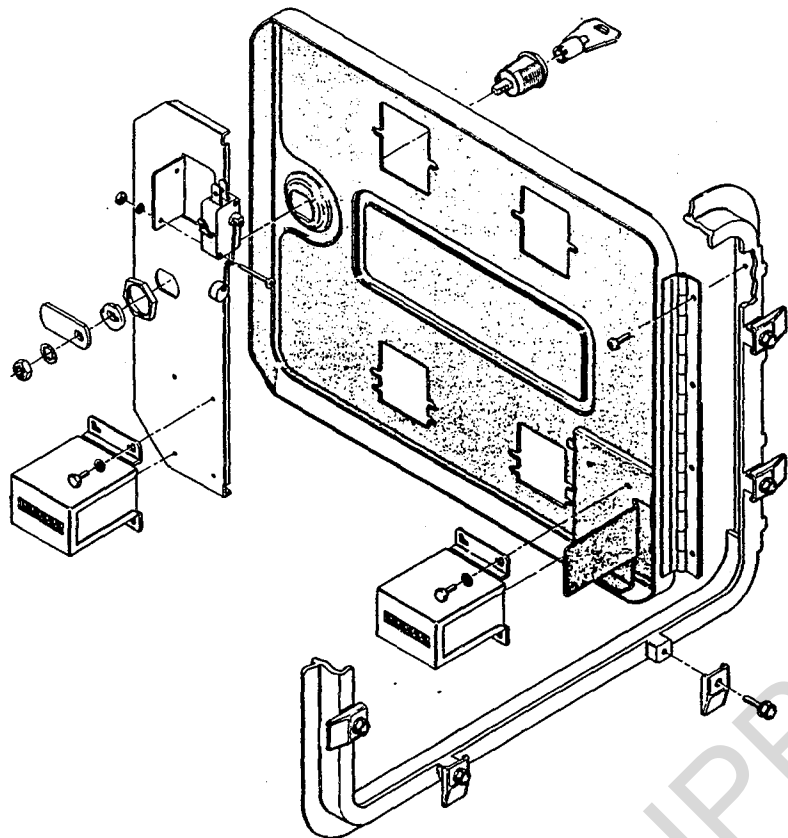
PART NUMBER	DESCRIPTION	PRICE
136020-116	EPROM 2764 FOODFT CK	70.00
136020-117	EPROM 2764 FOODFT CK	70.00
136020-118	EPROM 2764 FOODFT CK	70.00
136020-119	EPROM 2764 FOODFT CK	70.00
136020-120	EPROM 2764 FOODFT CK	70.00
136020-201	EPROM 2764 FOODFIGHT	70.00
136020-203	EPROM 2764 FOODFIGHT	70.00
136020-204	EPROM 2764 FOODFIGHT	70.00
136020-205	EPROM 2764 FOODFIGHT	70.00
136020-206	EPROM 2764 FOODFIGHT	70.00
136020-207	EPROM 2764 FOODFIGHT	70.00
136020-208	EPROM 2764 FOODFIGHT	70.00
136020-301	EPROM 2764 FOODFIGHT	70.00
136020-302	EPROM 2764 FOODFIGHT	70.00
136020-303	EPROM 2764 FOODFIGHT	70.00
136020-305	EPROM 2764 FOODFIGHT	70.00
136020-306	EPROM 2764 FOODFIGHT	70.00
136020-307	EPROM 2764 FOODFIGHT	70.00
136021-102	EPROM 2764 STARWARS	50.00
136021-103	EPROM 2764 STARWARS	50.00
136021-104	EPROM 2764 STARWARS	50.00
136021-105	EPROM 2732 STARWARS	50.00
136021-107	EPROM 2764 STARWARS	50.00
136021-109	PROM 82S129 STARWARS	21.36
136021-110	PROM 82S137 STARWARS	33.60
136021-111	PROM 82S137 STARWARS	33.60
136021-112	PROM 82S137 STARWARS	33.60

PART NUMBER	DESCRIPTION	PRICE
136021-113	PROM 82S137 STARWARS	33.60
136021-206	EPROM 2764 STARWARS	50.00
136021-208	EPROM 2764 STARWARS	50.00
136022-101	EPROM 2764 CRYSTAL	50.00
136022-102	EPROM 2764 CRYSTAL	50.00
136022-103	EPROM 2764 CRYSTAL	50.00
136022-104	EPROM 2764 CRYSTAL	50.00
136022-105	EPROM 2764 CRYSTAL	50.00
136022-106	EPROM 2764 CRYSTAL	50.00
136022-107	EPROM 2764 CRYSTAL	50.00
136022-108	PROM 82S129 CRYSTAL	21.36
136022-109	PROM 82S129 CRYSTAL	21.36
136022-110	PROM 82S129 CRYSTAL	21.36
136022-111	PROM 82S129 CRYSTAL	21.36
136022-303	EPROM 2764 CRYSTAL	50.00
136022-304	EPROM 2764 CRYSTAL	50.00
136022-305	EPROM 2764 CRYSTAL	50.00
137002-001	IC, 74S86	0.96
137003-001	IC, 74S03	1.20
137004-001	IC, 2901 4 BIT MPROC	20.88
137108-001	IC, TLO81 OP-AMP	0.86
137109-001	IC, 74LS169A	4.00
137149-001	IC, 74LS11	0.52
137151-002	IC, TDA2002A 8W	2.16
137158-002	IC, AM6012, 12 BIT DAC	27.20
137159-001	IC, DAC08, 8 BIT DAC	4.00
137160-002	IC, MC3410, D-A CONVRT	24.00

PART NUMBER	DESCRIPTION	PRICE
137160-004	IC,3410 CONV D-A M	19.60
137161-001	IC,ER2055	9.20
137168-001	IC,74LS368 DRVR HEX	0.88
137169-001	IC,74LS107 FLIP/FLOP	0.80
137177-001	IC,74LS138 DECODER	0.92
137178-001	IC,256X4 RAM STATIC	22.00
137179-001	IC,GATE ARRAY	21.04
137180-001	IC,REGISTER,SHIFT/ST	6.00
137181-001	IC,74LS385	9.00
137182-001	IC,74LS384	11.00
137183-001	IC,7824 REGULATOR	1.36
137186-001	CUSTOM CHIP 08	31.72
137187-001	IC,51 CUSTOM	34.00
137188-001	IC,53 CUSTOM	34.00
137189-001	IC,RAM DIG DUG	34.00
137190-001	IC,02 CUSTOM	34.00
137191-001	IC,04 CUSTOM	34.00
137192-001	IC,06 CUSTOM	34.00
137193-001	IC,07 CUSTOM	34.00
137194-001	IC,280A 8BIT 4MHZ	8.80
137199-001	IC,2148 STATIC RAM	10.00
137200-001	IC,74LS365 HEX BUS	0.88
137201-001	IC,74LS298 MULTIPLX	1.40
137202-001	IC,74128 DRVR 50 OH	1.28
137203-001	IC,74LS158 DATASLECT	1.04
137204-001	IC,74LS283 FULL ADER	1.20
137207-001	IC,DATA SELECT/MUX,D	1.52

PART NUMBER	DESCRIPTION	PRICE
137208-001	IC, 74S195 SHFT REG	1.92
137209-001	IC, 74S174 FLIP/FLOP	1.88
137211-001	IC, 2016P STATIC RAM	11.00
137217-001	IC, 74S257, DATA SELEC	1.52
137220-001	IC, 7924 REGULATOR	1.56
137221-001	IC, 74LS155 DECODER	2.20
137222-001	IC, SOUND GENERATOR	10.60
137223-001	IC, AUDIO POWER AMPLI	6.00
137224-001	IC, MB8841477M ROM	34.00
137227-001	IC, SCR ARRAY	1.44
137228-001	IC, DECODE/DMUX, LS156	2.40
137235-001	IC, CUSTOM CHIP-5116	34.00
137236-001	IC, NAND GATE, TRIPLE	0.88
137239-001	IC, BUFFER, 2-INPUT PD	0.72
137240-001	IC, COUNTER, PRESETABL	1.44
137242-001	IC, MULTIVIBRATOR, DUA	1.40
137243-001	RAM CONVERTR A/D 8-B	14.68
137249-120	IC, MPU 68B09E	21.60
137250-001	IC, RAM, 256X4, 250N SE	7.36
137273-001	IC, CONVERTER, A/D, 8-B	6.40
137274-001	IC, 74S163	4.00
137275-001	IC, MICROPROCESSOR, 16	56.00
137278-002	IC, RAM, 2048X8, 150NSE	20.00
137279-001	IC, PROG LOGIC ARRAY,	11.60
137281-001	IC, BUFFER, MPU CUSTOM	50.00
137282-001	IC, CUSTOM, MDT OBJ RA	50.00
137283-001	IC, CUSTOM, BUFFER, PLA	50.00

PART NUMBER	DESCRIPTION	PRICE
137284-001	IC,CUSTOM,AUDIO PROC	50.00
137285-001	IC,CUSTOM,MUX,3-CHN	50.00
137287-001	IC,74S161 4-BIT BIN	4.20
137288-001	IC,2212D RAM NONVO	23.00
137289-001	IC,MC68000LC MPU 16	82.00
137290-001	IC,PAL,QUANTUM	16.00
137291-001	IC REGULATOR +12 5%	1.00
137294-001	IC,LOGIC ARRAY	16.00
137295-001	IC,CUSTOM 11 XEVIOUS	34.00
137296-001	IC,CUSTOM 12 XEVIOUS	34.00
137297-001	IC,CUSTOM 13 XEVIOUS	34.00
137298-001	IC,CUSTOM 50 XEVIOUS	34.00
137304-1001	IC,TRACKBALL INTERFA	10.40
137308-001	IC,TNS5220	22.36
137309-001	IC,74004	0.60
137310-001	IC,ANALOG DELAY LINE	13.60
137313-001	IC,RAM PROGRAM LOGIC	14.72
137316-001	IC,PAL CHIP 12L6	12.20
137317-001	PROM 74LS125 BUFFER	0.76
137321-1111	IC,VERTICLE SCROLL	6.40
137323-001	IC,RAM,16K X 4,15ONS	18.60
139002-001	COUPLER,OPT-ELECTRO	8.88
139003-1004	MONITOR 19"CLR MATSU	513.70
139003-1204	MONITOR 19"CLR MATSU	615.00
139003-1205	MONITOR 19"CLR SANYO	606.00
141002-001	INDUCTOR,100UH,10%	0.68
141007-001	INDUCTOR,1UH,PEAKING	0.72



All parts listed below that start with 171000- should now be 171001-

171001-001 — British 10 P/10 P Coin Door	171000-008 — German 2 DM/1 DM Coin Door	171000-011 — Hong Kong \$1/\$1 Coin Door
171000-002 — British 10 P/10 P Coin Door	171000-009 — Belgium 2 F/1 F Coin Door	171000-012 — Canadian 25¢/25¢ Coin Door
171000-003 — British 20 P/10 P Coin Door	171000-010 — French 1 F/1 F Coin Door	171000-013 — U.S. 25¢/25¢ Coin Door
171000-004 — German 1 DM/1 DM Coin Door	171000-011 — French 2 F/1 F Coin Door	171000-014 — Spanish 25 Pts/25 Pts Coin Door
171000-005 — German 2 DM/1 DM Coin Door	171000-012 — Swedish 1 Kr/1 Kr Coin Door	171000-015 — Swiss 1 F/1 F Coin Door

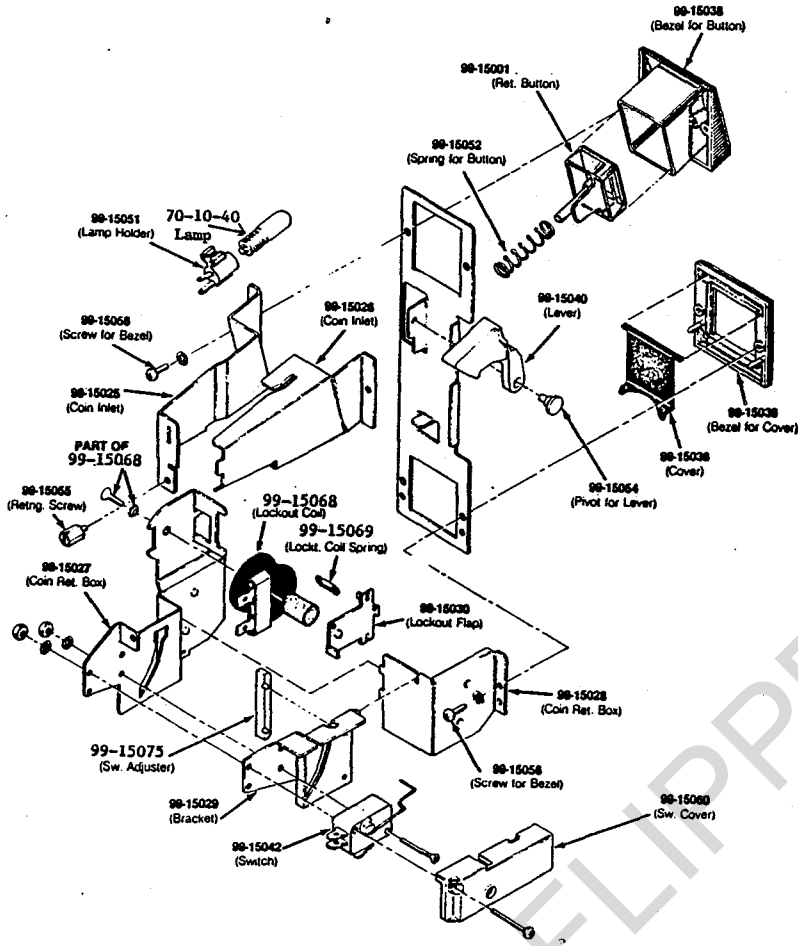
British-Made Coin Door

171001-013

SEE THE FOLLOWING PAGE FOR COMPONENTS

ATARI SERVICE PARTS PRICE LIST PAGE 56

PART NUMBER	DESCRIPTION	PRICE
144000-001	CRYSTAL 12.096MHZ	3.22
144000-002	CRYSTAL 18.432MHZ	3.40
144000-003	CRYSTAL 20.00 MHZ	4.18
144004-003	CRYSTAL 24.576MHZ, 3-	4.90
148001-001	SPEAKER 6X9 40HM 15W	19.60
148001-013	SPEAKER GP 6X9, 40HM	15.74
148001-017	SPEAKER GP 6X9, 80HM	15.74
150000-001	CORD POWER 90"	12.20
16-5252	RESISTOR, 2.5K 5W	1.20
16-5500	RESISTOR, 50 OHM 5W	1.52
16-5750	RESISTOR, 75 OHM 5W	1.40
16-5752	RESISTOR, 7.5K OHM 5W	1.58
160012-001	SWITCH LEAF CROSSPT	2.08
160013-001	LEAF SWITCH & BTNHLDR	3.26
160022-001	LEAF SWITCH W/BUTTON	2.56
160023-001	SWITCH SNAP SPDT W/A	5.52
160026-001	SWITCH SNAP SPDT	3.36
170000-001	LAMP, T3-1/4 WDG BASE	0.96
170000-002	LAMP, T 3-1/4, WEDGE B	0.40
171001-013	DOOR COIN, 25¢ BRITISH	224.00
171002-001	FAN EXHAUST, 110V	22.00
171006-035	COIN MECH 2 METAL	20.00
171010-001	CONVER RING ASY CRT	2.36
171016-001	JOYSTICK 4 POSITION	24.00
171021-001	JOYSTICK ASY 8 POSIT	25.00
171022-001	PCB, DUAL KANGAROO	2616.00
171023-001	PCB, KANGAROO CPU	888.00

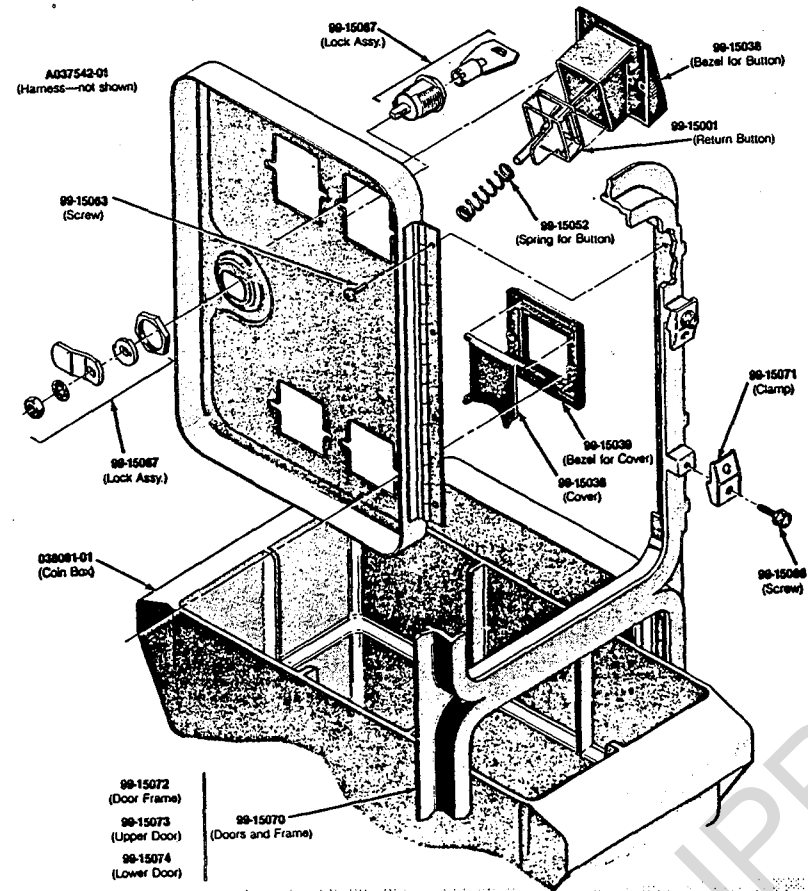


British-Made Coin Door
171001-013

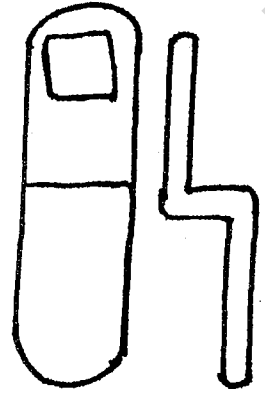
ATARI SERVICE PARTS PRICE LIST PAGE 57

PART NUMBER	DESCRIPTION	PRICE
171024-001	PCB, KANGAROO VIDEO	1344.00
171025-001	CABLE SOCKT ASSY	48.00
** 171027-001	COIN DOOR D/U 25#AMR	197.16
171028-001	BATTERY, NICKLE-CADMI	20.54
*** 171034-001	COIN DOOR, O/U .25#BRT	197.16
171038-001	BATTERY, NICKLE-CADMI	10.56
171050-001	FACEPLATE COIN ASSY	161.60
171051-001	PCB, ARABIAN MAIN	2520.00
176024-3605	SCREW SOCKET CAP, 6-3	0.20
178010-001	BALL PLASTIC, 3/8" BZ	0.24
178013-001	LATCH, SPRING DRAW	2.26
178021-001	CASE, CATBOX CARRYING	101.40
178027-001	LUB, TUBE 1/4 OZ	5.28
178030-001	BUTTON ASSY WHITE	0.60
178030-002	BUTTON ASSY, ORANGE	0.84
178030-003	BUTTON ASSY, BLACK NY	0.60
178030-004	BUTTON ASSY, RED NYLO	0.60
178030-005	BUTTON ASSY, GREEN NY	0.60
178030-007	BUTTON ASSY, YELLOW	0.60
178034-032	T-MOLD BLACK 1"	0.98
178047-032	GUIDE, PC CARD, 16"	1.22
178070-001	KNOB, VOL CONT 3/4"DI	1.10
178085-002	LOCK, KEY, **NO CAM	4.08
* 178086-002	CAM, 3/8 OFFSET UP	1.68
178093-001	GUARD, FAN BLADE	5.04
178099-003	STEERING WHEEL, 12"	49.96
178100-001	BEARING FLANGED SLEE	1.60

* See page 58 for 178086-002 cam
 ** See page 60 & 61 for 171027-001 coin door
 *** See page 58 & 59 for 171034-001 coin door



171034-001 SEE NEXT PAGE FOR COMPONENTS

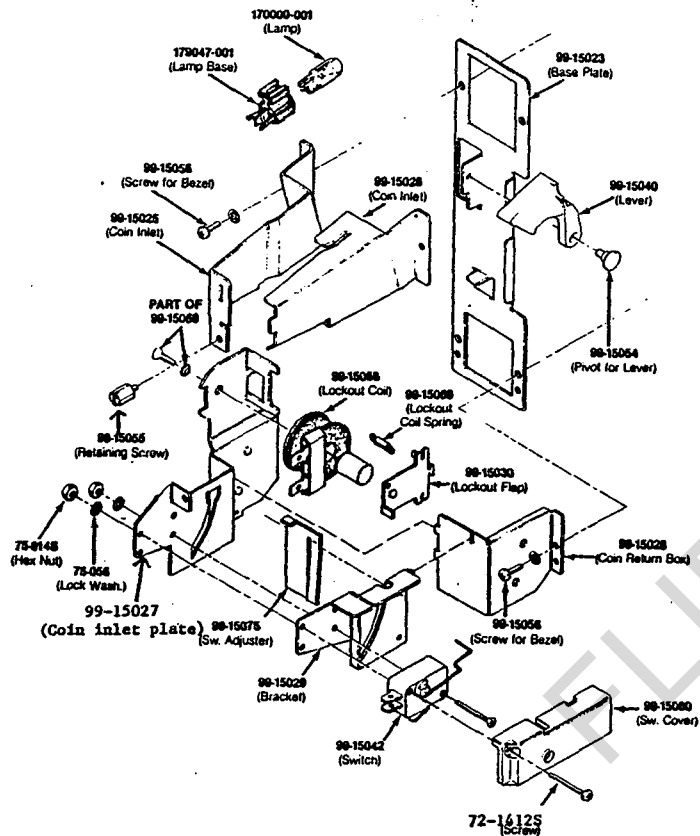


BENT CAM - 178086-002

ATARI SERVICE PARTS PRICE LIST PAGE 58

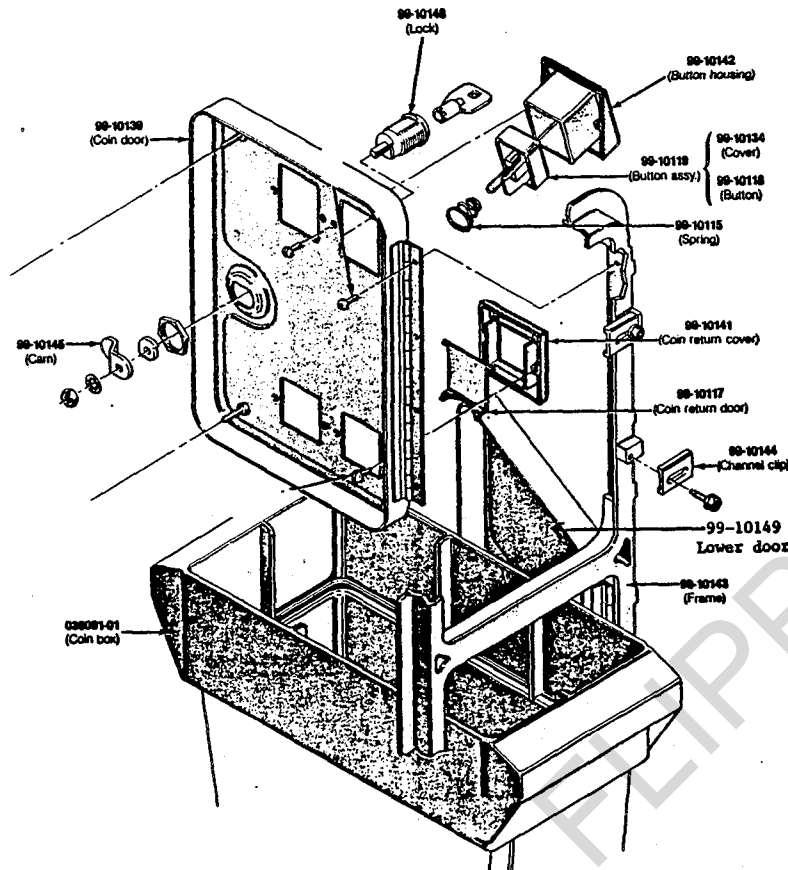
PART NUMBER	DESCRIPTION	PRICE
178101-001	GEAR SPUR 2.5" PITCH	4.32
178101-002	GEAR SPUR .583" PITCH	2.08
178101-003	GEAR SPUR 1.167" PITCH	4.06
178118-001	BEARING, PLAIN CYLIND	0.36
178126-001	WRENCH HEX 3-32	1.98
178127-024	T-MOLD 1 1/2 GROOVED	0.52
179010-001	CONN, 12 PIN, .156CTR	0.36
179014-006	CONN, HEADER 6CKT	1.12
179014-012	CONN, HEADER, 12CKT	0.90
179016-024	CONN, RCPT 24CKT	0.48
179029-004	CONN, RCPT 4CKT	0.44
179034-024	CONN, PLUG 24CKT	1.38
179035-001	SOCKET LAMP 2-PIN	1.06
179037-006	CONN, RCPT 6CKT	3.70
179041-024	CONN, CARD EDGE, 24CKT	0.28
179041-036	CONN, CARD EDGE	4.12
179041-044	CONN, CARD EDGE	1.00
179042-030	CONN, CARD EDGE, 30CKT	3.94
179047-001	SOCKET LAMP WEDGE BA	0.62
179048-002	CONN, HEADER, 2CKT	0.62
179049-002	CONN, RCPT 2CKT	1.92
179057-009	CONN, PLUG 9CKT	1.34
179058-004	CONN, PLUG 4CKT	0.28
179058-005	CONN, PLUG 5CKT	0.96
179058-006	CONN, PLUG 6CKT	0.76
179058-009	CONN, PLUG 9CKT	0.32
179058-012	CONN, PLUG 12CKT	0.84

PART NUMBER	DESCRIPTION	PRICE
179058-015	CONN, PLUG 15CKT	1.88
179059-006	CONN, RCPT 6CKT	1.44
179059-009	CONN, RCPT 9CKT	0.82
179059-012	CONN, RCPT 12CKT	1.72
179061-003	CONN, RCPT 3CKT	0.42
179061-004	CONN, RCPT 4CKT	1.84
179061-005	CONN, RCPT 5CKT	0.28
179061-006	CONN, RCPT 6CKT	0.24
179061-009	CONN, RCPT 9CKT	0.36
179061-012	CONNECTOR, RCPT 12CKT	0.30
179061-015	CONN, RCPT 15CKT	1.96
179062-004	CONN, RCPT 4CKT	0.64
179069-002	CONNECTOR, HEADER, 2CK	0.72
179073-024	CONN, CARD EDGE	3.56
179073-030	CONN, CARD EDGE 30	4.32
179073-044	CONN, CARD EDGE 44	6.00
179087-002	CONN, RCPT 2CKT	0.36
179087-003	CONN, RCPT 3CKT	0.32
179087-004	CONN, RCPT 4CKT	0.44
179087-005	CONN, RCPT 5CKT	0.60
179087-006	CONN, RCPT 6CKT	1.00
179087-009	CONN, RCPT 9CKT	0.70
179087-012	CONN, RCPT 12CKT	0.48
179087-015	CONN, RCPT 15CKT	1.54
179088-003	CONN, PLUG 3CKT	0.32
179088-006	CONN, PLUG 6CKT	0.78
179088-009	CONN, PLUG 9CKT	0.60



British-Made Vertically Mounted Coin Door

171034-001

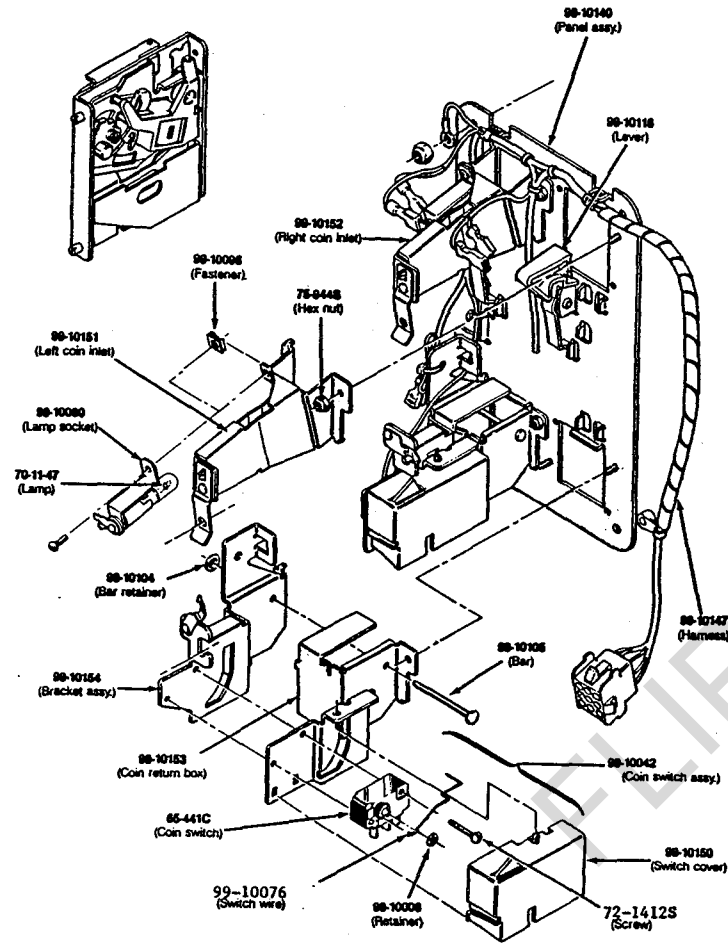


- A037819-01 — U.S. 25c/20c Coin Door
- A037819-02 — U.S. 50c/50c Coin Door
- A037819-03 — Canadian 25c/20c Coin Door
- A037819-04 — British 10 P/10 P Coin Door
- A037819-05 — British 10 P/50 P Coin Door
- A037819-06 — British 20 P/50 P Coin Door
- A037819-07 — Australian 20c/20c Coin Door
- A037819-08 — German 1 DM/1 DM Coin Door
- A037819-09 — German 2 DM/1 DM Coin Door
- A037819-10 — German 2 DM/5 DM Coin Door
- A037819-11 — German 1 DM/5 DM Coin Door
- A037819-12 — 5 Ffr Fr Coin Door
- A037819-13 — Swiss 1 Ffr Fr Coin Door
- A037819-14 — French 1 Ffr Fr Coin Door
- A037819-15 — French 2 Ffr Fr Coin Door
- A037819-16 — Swedish 1 Kr/1 Kr Coin Door
- A037819-17 — Spanish 25 Ptas/25 Ptas Coin Door
- A037819-18 — Italian 100 L/100 L Coin Door
- A037819-19 — Hong Kong \$1/\$1 Coin Door
- A037819-20 — Japanese 100Y/100Y Coin Door

American-Made Vertically Mounted Coin Door, continued
171027-001 A

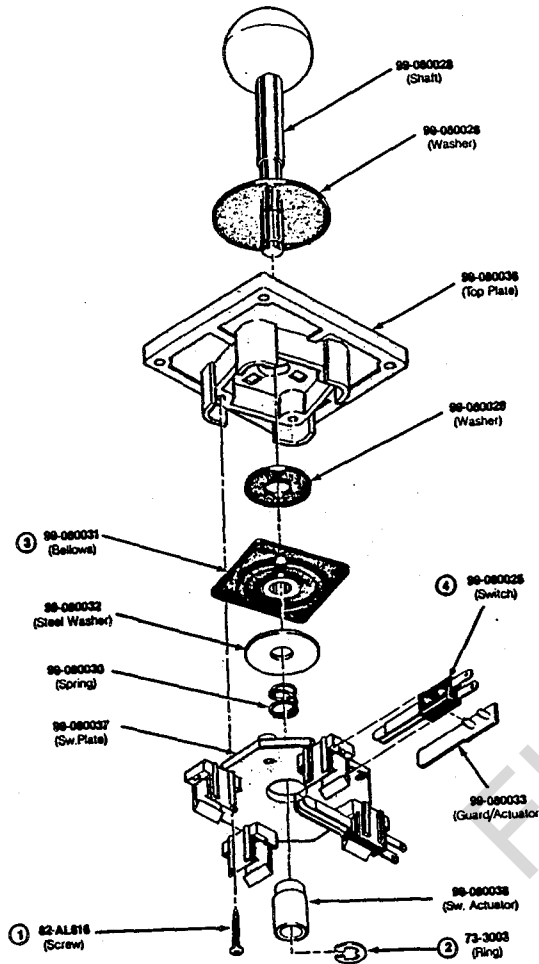
PART NUMBER	DESCRIPTION	PRICE
179088-012	CONN, PLUG 12CKT	0.62
179088-015	CONN, PLUG 15CKT	1.82
179092-020	CONN, CARD EDGE	1.58
179092-024	CONN, CARD EDGE, 6PIN	0.82
179153-160	CONN, CARD EDGE	6.10
179173-001	SOCKET LAMP WEDGE BA	0.60
19-100P1015	RESISTOR, 1 OHM	1.60
19-10040001	RESISTOR,	0.44
19-315102	POT 1K OHM	1.10
19-315103	POT 10K OHM	1.44
19-315104	POT 100K BOURNS 335	1.18
19-315105	POT 1MEG BOURNS 3352	1.12
19-315201	POT 200 OHM	1.30
19-315202	TRIMPOT, 2K OHM	1.12
19-315203	TRIMPOT, 20K,	1.12
19-315254	TRIMPOT, 250K	1.34
19-315502	POT 5K 91V BECKMAN	1.10
19-315503	POT 50K BOURNS 3352V	1.12
19-815CP33	RESISTOR, .33 OHM	0.32
19-851WP075	RESISTOR, .075 OHM 5W	1.80
19-9011	POT 5K SLIP	9.50
19-9022	POT 5K	8.92
19-9026	POT 5K CLUTCH	7.36
19-9032	VOLUME CONTROL 500HM	14.36
19-9037	POT 5K OHM	0.60
201018-01	BRKT, MTG COLOR X-Y	6.96
201019-01	HEATSINK	27.80

SEE THE FOLLOWING PAGE FOR COMPONENTS



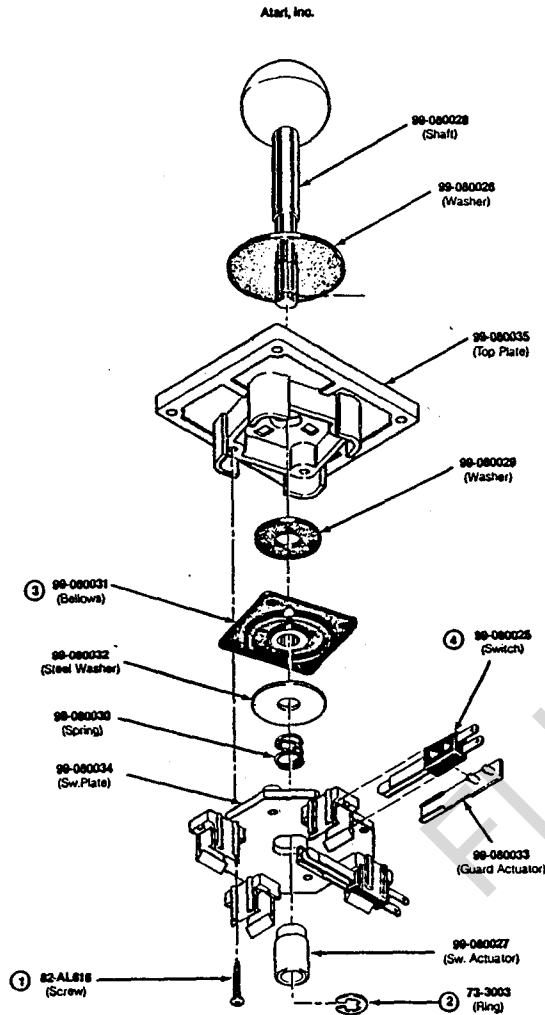
American-Made Vertically Mounted Coin Door
171027-001 A

PART NUMBER	DESCRIPTION	PRICE
21-101102	CAP. .001UF, 100V, MYLR	0.32
21-101153	CAP. .015 MYLAR	0.36
21-101224	CAP. .22UF, 100V, MYLAR	0.42
21-101472	CAP. .0047UF, 100V, MYL	0.32
21-101473	CAP. .047UF, 100V, MYLR	0.44
21-101474	CAP. .47UF, 100V, MYLAR	0.92
23-250107	CAP, 100UF, 25V, ELECTR	0.32
24-160477	CAP, 470UF, 16V, AL-ELE	0.56
24-160478	CAP, 4700UF, 16V, ELECT	3.60
24-160808	CAP, 8000UF, V, ELE	2.44
24-250228	CAP, 2200UF, 25V, AL-EL	1.36
24-250476	CAP, 47MF, 25V, ELECTRO	1.24
24-250478	CAP, 4700UF, 25V, ELECT	2.12
24-350107	CAP, 100UF, 35V, ELECTR	0.68
24-350226	CAP, 22UF, 35V, AL-ELEC	0.40
24-350338	CAP, 3300UF, 35V, AL-EL	2.24
24-500105	CAP, 1MF, 50V, ELEC	0.24
24-500225	CAP, 2.2UF, 50V, ELECTR	0.38
24-500337	CAP, 330UF, 50V, AL-ELE	2.12
24-500476	CAP, 47UF, 50V, ELECT	0.44
27-250104	CAP, .1UF, 25V, CERAMIC	0.28
29-053	CAP, 26KUF, ELEC	9.88
3A-MDA3500	RECTIFIER BRIDGE	10.52
3A-MDA3501	RECTIFIER BRIDGE	5.92
31-A14F	DIODE RECT, 50V, 2.5A	0.80
31-MR501	DIODE MR501	0.58
31-MR750	DIODE MR750	1.08



8-Position Joystick Assembly
171021-001

PART NUMBER	DESCRIPTION	PRICE
31-1N4001	DIODE 50V, 1A	0.44
32-P6KE18	DIODE 18V, 600MW	2.92
32-P6KE30	DIODE 30V, 600MW	2.92
32-1N4751	MOTOROLA 1N4751	0.32
33-MPSA92	TRANSISTOR, PNP, 300V	0.48
33-SJE783	TRANSISTOR, POWER, PNP	1.16
33-TIP32	TRANSISTOR, POWER, PNP	1.00
33-2N3644	TRANSISTOR, PNP, 25V	0.36
33-2N3906	TRANSISTOR, 2N3906	0.22
33-2N5193	TRANSISTOR PNP40V	2.68
33-2N5883	TRANSISTOR, POWER, PNP	4.24
34-MJE200	TRANSISTOR, MJE200	1.60
34-MPSA06S	TRANSISTOR, MPSA06S	0.34
34-MPSA42	TRANSISTOR, NPN, 300V	0.44
34-2N3055	TRANSISTOR, 2N3055	2.28
34-2N3643	TRANSISTOR, NPN, 30V	0.36
34-2N3904	TRANSISTOR, 2N3904	0.24
34-2N4237	TRANSISTOR, 2N4237	2.60
34-2N4401	TRANSISTOR, NPN 2N4	0.80
34-2N5190	TRANSISTOR, PWR, NPN	1.24
34-2N6044	TRANSISTOR, BA 80 V.	2.00
37-AD561J	IC, D-A CONVERTER	31.40
37-LM305	IC, LIN, VOLT REG, 5V	1.84
37-LM319	IC, DUAL VOLT COMP	3.20
37-LM323K	IC, VOLT REG, 5V, 3A, 4	7.80
37-LM324	IC, QUAD OP AMP	0.92
37-LM339	IC, LM339	1.20



**4-Position Joystick Assembly
171016-001**

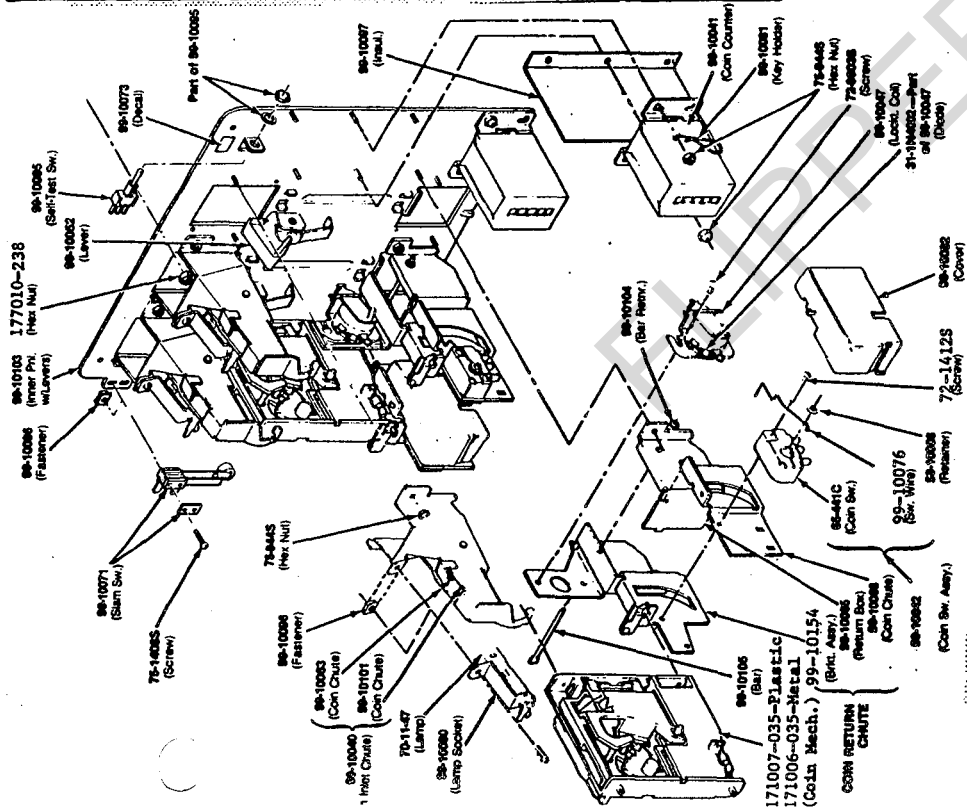
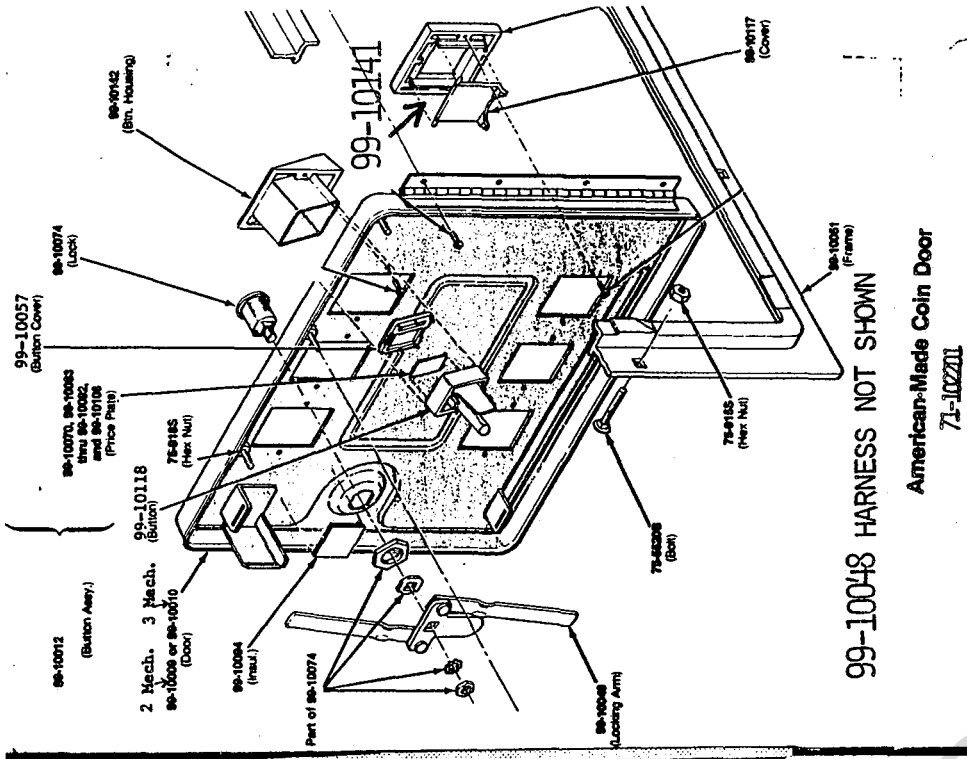
PART NUMBER	DESCRIPTION	PRICE
37-LM380N	IC, AUDIO AMP	2.92
37-MC14050	IC, HEX BUFFER	0.80
37-MC1413	IC, PER DRIVER	2.20
37-MC14511B	IC, 14511	1.56
37-MC3340	IC, ELEC. ATTENUATOR	2.40
37-TDA1004	IC, TDA1004 W/HEATSNK	6.60
37-TLO82CP	IC, TLO82 OP-AMP	1.28
37-13201	IC, LF13201	7.12
37-1495	IC, 1495, MULTPLIER	3.12
37-347	IC, QUAD OP-AMP	2.64
37-4016B	IC, QUAD ANLG SW/MUX	1.00
37-4066	IC, QUAD ANLG SWITCH	0.64
37-4099B	IC, 4099B	1.80
37-4514B	IC, 4514B	4.40
37-4584B	IC, 4584B, SCHMITT TRG	0.80
37-555	IC, 555 TIMER	0.64
37-556	IC, 556 DUEL TIMER	1.28
37-566	IC, 566	5.40
37-74LS00	IC, 74LS00	0.48
37-74LS02	IC, QUAD 2-IN NOR	0.68
37-74LS04	IC, 74LS04	0.52
37-74LS08	IC, 74LS08, 2IN, TTL	0.52
37-74LS109	IC, 74LS109 DUAL	0.80
37-74LS139	IC, DECODER/MUX, 2-4	0.92
37-74LS14	IC, 74LS14	0.80
37-74LS153	IC, DUAL DATA SEL/MUX	1.00
37-74LS157	IC, 74LS157, DATASELCT	1.00

PART NUMBER	DESCRIPTION	PRICE
37-74LS161	IC,74LS161,SYNC	1.04
37-74LS163A	IC,SYNC 4BIT COUNTER	1.16
37-74LS164	IC,74LS164	1.08
37-74LS166	IC,SHIFT REGISTER	2.00
37-74LS174	IC,74LS174 HEX	0.92
37-74LS175	IC,74LS175	1.04
37-74LS191	IC,74LS191	1.28
37-74LS193	IC,74LS193	1.20
37-74LS194	IC,74LS194	1.18
37-74LS20	IC,DUAL 4-IN NAND	0.48
37-74LS241	IC,74LS241	2.00
37-74LS244	IC,74LS244 LINE DRV	1.60
37-74LS245	IC,BUS TRANSCEIVER	1.80
37-74LS251	IC,DATA SELECT/MUX	0.96
37-74LS253	IC,DATA SELECT/MUX	1.08
37-74LS257	IC,QUAD DATA SELECT	0.78
37-74LS259	IC,8 BIT ADRS LATCH	1.64
37-74LS27	IC,74LS27	0.68
37-74LS273	IC,74LS273 OCTAL	1.52
37-74LS32	IC,74LS32 QUAD	0.60
37-74LS367	IC,HEX BUS DRIVER	1.00
37-74LS373	IC,OCTAL D LATCH	1.68
37-74LS374	IC,OCTAL D FLIP-FLOP	1.68
37-74LS377	IC,74LS377	2.20
37-74LS393	IC,74LS393 DUAL	1.28
37-74LS399	IC,74LS399	2.40
37-74LS42	IC,74LS42	0.88

PART NUMBER	DESCRIPTION	PRICE
37-74LS670	IC, REGISTER FILE, 4X4	2.32
37-74LS74	IC, 74LS74 DUAL FL/FP	0.62
37-74LS83	IC, 4-BIT FULL ADDER	1.04
37-74LS86	IC, 74LS86 2IN EXC	0.68
37-74LS90	IC, 74LS90 SIG	0.80
37-74L04	IC, 74L04	1.04
37-74S00	IC, 74S00	0.60
37-74S04	IC, 74S04	0.68
37-74S08	IC, QUAD 2-IN AND, TTL	1.52
37-74S260	IC, 74S260	1.30
37-74S74	IC, DUAL D FLIP-FLOP	0.84
37-7400	IC, QUAD 2-IN NAND	0.48
37-7402	IC, QUAD 2-IN NOR	0.48
37-7403	IC, 7403	0.48
37-7404	IC, HEX INVERTER, TTL	0.74
37-7406	IC, 7406 HEX	0.64
37-7407	IC, 7407	0.68
37-7408	IC, QUAD 2-IN AND	0.48
37-741	IC, 741	0.64
37-7410	IC, TRIPLE 3-IN NAND	0.46
37-74107	IC, 74107	0.68
37-74109	IC, 74109	0.64
37-7414	IC, HEX SCHMT TRIG	0.94
37-74145	IC, 74145	1.20
37-74151	IC, 74151	1.28
37-74153	IC, 74153	1.04
37-74154	IC, 74154	2.00

PART NUMBER	DESCRIPTION	PRICE
37-74156	IC,74156	1.20
37-74157	IC,74157	1.52
37-74174	IC,74174	1.32
37-74175	IC,74175	1.24
37-74191	IC,UP/DOWN COUNTER	1.44
37-74193	IC,74193	1.32
37-7420	IC,7420	0.44
37-7432	IC,QUAD 2-IN OR	0.52
37-7437	IC,7437	0.60
37-7442	IC,4-10 BCD/DEC,TTL	0.74
37-7448	IC,7448	1.40
37-7474	IC,DUAL D FLIP-FLOP	0.62
37-7476	IC,7476	0.60
37-7490	IC,DECADE COUNTER	0.88
37-7493	IC,7493	0.72
37-7497	IC,6-BIT RATE MULT.	9.00
37-7805	IC,VOLTAGE REGULATOR	1.60
37-7812	IC,REGULATOR,12V,5%	1.28
37-7815	IC,VOLTAGE REGULATOR	1.56
37-7905	IC,REGULATOR 5V	1.40
37-7912	IC,MC7912CP REG MOT	2.60
37-7915	IC,VOLT REGULATOR	1.60
37-8T28	IC,QUAD BUS RECEIVER	2.60
37-8097	IC,TTL,HEX BUF,TRIST	0.88
37-8304B	IC,BIDIR TRANCEIVER	4.88
37-9300	IC,9300	1.60
37-9301	IC,9301	1.96

PART NUMBER	DESCRIPTION	PRICE
37-9312	IC,9312	1.20
37-9316	IC,4 BIT COUNTER	1.60
37-9321	IC,DECODER/DEMUX	1.80
37-9334	IC,9334 SIG	2.60
37-9602	IC,9602	1.16
38-CL907HL	PHOTOCELL	7.00
38-ME7124	DIODE LIGHT EMITTING	2.92
38-MV5053	DIODE LED RED	0.44
38-03130935	DIODE DISPLAY ARRAY	21.60
38-2N5777	TRANSISTOR,2N5777	0.88
41-2003	FILTER,RFI,5 AMP	8.64
41-3003	INDUCTOR,100 UH	0.68
43-9002	RELAY 48 VDC	13.16
44-1004	SOLENOID 110V	18.04
44-1006	SOLENOID 120V 60HZ	80.00
46-2012002	FUSE 2AMP,250V	0.68
46-301253	FUSE 25A,32V,SLOW,3A	0.94
48-004	SPEAKER 5"80HM,5W	5.80
48-009	SPEAKER 8"80HM,8W	12.00
61-081C	ROCKER SW SNAP IN BE	4.36
61-162A	SWITCH TOGGLE DPST	4.04
62-001	SWITCH PB SPST	2.50
62-002	SWITCH PUSH BUTTON	9.64
62-003	SWITCH GRAYHILL #46	6.72
62-009	SWITCH PUSHBUTTON	5.86
62-020	SWITCH SPDT 1A	3.32
62-039	SWITCH LED WITH NUT	9.64



99-10048 HARNESS NOT SHOWN
American-Made Coin Door
71-10221

ATARI SERVICE PARTS PRICE LIST PAGE 68

PART NUMBER	DESCRIPTION	PRICE
62-041	SWITCH PB SPDT	5.04
62-043	SWITCH PB SPST	5.24
64-01010301	SWITCH STACKPOLE	11.16
65-011C	SWITCH SNAP SPDT	3.12
65-021A	SWITCH SNAP SPST	2.88
65-071C	SWITCH CHERRY I8	4.22
65-191C	SWITCH	2.76
65-391C	SWITCH CHERRY	2.54
65-441C	SWITCH NO WIRE .25¢	5.52
65-451C	SWITCH MICRO	4.50
66-114P1T	SWITCH DIP 4 X SPST	2.44
66-118P1T	SWITCH DIP 8X SPST	2.68
68-002	SWITCH INTERLOCK	5.82
69-001	SWITCH SLIDE SLFTST	1.06
70-1H161	LAMP, INCANDESCENT, 14	1.18
70-10-40	LAMP, MINI SCREW BASE	0.96
70-11-1816	LAMP, MINI-BAY, #1816	0.52
70-11-47	LAMP, MINI-BAY, #47	0.60
70-12120MB6	LAMP, SYLVANI 120V 6W	3.84
70-13-328	LAMP, MINI G.E. #328	1.06
70-1617P5	BULB 7-1/2W 120V	1.16
70-304	LAMP, FLUOR 18" 15WATT	4.76
70-306	FLUORESCENT TUBE 18"	9.60
70-4101	LAMP F1	14.26
71-102201	DOOR COIN, 25¢ AMERICAN	273.00
73-3028	RING RETAINING	0.40
73-801	KNOB, CONTROL, BLACK	2.64

79-51B222



THIS CONNECTOR IS ON THE HARNESS

o Has Eyelets - solder lugs

USED ON

SPRINT 1 & 2
Canyon Bomber
Sky Raider
Subs
Destroyer
Ultra Tank
Kiosk
Tournament Table
Avalanche
Triple Hunt

79-517222



THIS CONNECTOR IS ON THE RFI BOARD

TO ATTACH RFI BOARD TO MAIN BOARD

RFI = RADIO FREQUENCY INTERFERANCE

ALSO USED ON PINBALL TO ATTACH TO
FUSE BOARD

ATARI SERVICE PARTS PRICE LIST PAGE 69

PART NUMBER	DESCRIPTION	PRICE
73-819	NOB, CONTROL PANEL	7.24
73-834	NOB, WITH SET SCREWS	3.50
75-F60405	SCREW, BIND, 6-32 X.25	0.48
76-091010	BEARING THOMPSON	0.58
76-092020	BEARING THOM W/NOTCH	0.48
78-2000109C	CONDUIT MTL FLEX	4.94
78-3001033	SPRING 1 3/8"	0.34
78-3002041	SPRING STAINLESS STE	1.30
78-3205	END CAP 1 X 1/2"	1.54
78-3206	GLIDE ADJ SWIVEL	0.64
78-3408	LATCH, DRAW	6.38
78-40104	STEERING WHEEL 10"	27.60
78-6900402	FOAM, 36YRD 1/4X1/8	23.14
78-70501SC	BRACKET MOUNTING, 2"	1.14
79-20145	TERM, PIN, 30-24 AWG	0.48
79-3206	FUSE BLOCK, 5 X 3AG	5.28
79-42C16	SOCKET 16 PIN	1.00
79-42C18	SOCKET 18 PIN	1.16
79-42C20	SOCKET 20PIN	1.58
79-42C22	SOCKET IC 22CNTAC	1.48
79-42C24	SOCKET 24PIN	1.78
79-42C28	SOCKET 28 PIN	1.64
79-42C40	SOCKET IC 40 CKTS	2.88
79-42C42	SOCKET IC 42CKT	2.90
79-4312	SOCKET LAMP T-3-1/4	0.38
79-44110Q1	PANEL MT FUSE HOLDER	2.44
79-51B222	CONN, CARD EDGE 44PIN	14.88

PART NUMBER	DESCRIPTION	PRICE
79-517222	CONN,44PIN RFI PCB	5.24
79-58113	CONN,RCPT 4CKT	0.44
79-58117	CONN,RCPT 9CKT	0.70
79-58302	#USE 179033-024	0.00
90-101	CRYSTAL 14.31818 MHZ	4.80
90-123	CRYSTAL 10.00 MHZ	3.46
90-2001	ROM 74186 GT10	76.50
90-6001	IC,MPU,8BIT,1MHZ	27.00
90-6013	IC,8-BIT MICROPROC	10.80
90-7002	RAM 128X 8 STATIC	14.70
90-7005	RAM 82525	6.00
90-7008	RAM 256 X 1	10.40
90-7014	RAM SYNERTEK 21L02A	5.70
90-7018	RAM 2101A	10.74
90-7019	RAM 256 X 4 STATIC	8.40
90-7031	RAM 256 X 4 STATIC	8.40
90-7033	RAM 2114	6.60
90-7035	RAM 256 X 1	16.92
90-7036	RAM 2114	12.60
92-033	MONITOR 19"BW MOT,WG	345.00
92-040	MONITOR 23" BW WG	369.00
92-041	MONITOR 12"BW ZENITH	337.96
92-045	MONITOR 15"XY BW EH	465.00
92-046	MONITOR 14"CLR MATSU	450.00
92-047	MONITOR 19"BW XY EH	439.02
92-048	MONITOR 13"CLR SANYO	450.00
92-049	MONITOR 19"CLR RS EL	700.14

C42127L DATE: 08/11/83

ATARI SERVICE PARTS PRICE LIST PAGE 71

PART NUMBER	DESCRIPTION	PRICE
92-050	MONITOR 19" BW XY WG	439.02
92-052	CRT 15" B/W WG	465.00
92-053	MONITOR 19" QSC CL WG	860.20
92-055	MONITOR 19" COLOR WG	666.00
92-056	MONITOR 14" COLOR EH	568.56
93-113	FIXTURE, LAMP, 18"	26.64
99-010021	TRANSISTOR, 48-137172	2.00
99-010028	TRANSISTOR, 48-137368	21.12
99-010076	POT	3.60
99-010110	CAP, 23S10255B73	26.40
99-010111	CHOKE	21.00
99-010117	TRANSFORMER	95.80
99-010118	DIODE 48-10813A02	2.00
99-010122	COIL, HORIZ MOTOROLA	10.40
99-010145	TRANSISTOR, 48-137696	30.24
99-010156	TRANSISTOR, 48-137596	31.92
99-010158	COIL, HORIZONTAL	11.52
99-010179	CRT 19" B&W EH & WG	254.00
99-010180	CRT 23" BW, MOT, TEC, WG	300.00
99-020027	PWR SUPPLY #EP62X4	125.82
99-070007	TRANSISTOR, MJ205	24.24
99-070054	FLYBACK TRANSF. TEC	58.56
99-080007	PLUNG FLIP BUT ASSY	0.48
99-080016	BUTTON STAR ROLLOVER	1.00
99-080024	FLIPPER 3"	1.88
99-080025	SWITCH LEAF CROSS-BA	1.70
99-080027	ACTUATOR SWITCH, NYLO	0.76

PART NUMBER	DESCRIPTION	PRICE
99-080028	BALL HANDLE SHAFT	5.32
99-080031	BELLOWS JOYSTICK	4.80
99-080034	PLATE SWITCH MOUNTIN	2.40
99-080035	PLATE TOP	3.60
99-080038	ACTUATOR SWITCH,NYLD	0.28
99-090084	SUSPENSION ARM	3.16
99-10009	DOOR 2 MECH FRONT	87.12
99-10010	DOOR 3 MECH,SUB-ASSY	94.04
99-10012	BUTTON COIN RET 25¢	4.08
99-10040	CHUTE,COIN INLET,RGT	15.98
99-10041	COIN COUNTER 10VOLT	15.46
99-10042	SWITCH WIRE 5F/25¢	4.80
99-10047	COIL,LOCK OUT 10V	15.84
99-10049	LOCKING ARM ASSY	7.20
99-10051	DOOR FRAME	20.30
99-10052	LEVER,COIN RETURN	3.46
99-10063	INLET,COIN RIGHT	2.50
99-10065	CHUTE,COIN RET. BOX	2.68
99-10068	CHUTE,COIN	1.54
99-10070	DECAL 25¢	1.10
99-10071	SWITCH SLAM	3.46
99-10072	SWITCH TEST	7.82
99-10074	LOCK 904707	5.32
99-10075	WIRE,SWITCH,Y/1F/1M	0.62
99-10076	WIRE,SWITCH,5F/25¢	0.62
99-10077	WIRE,SWITCH,2M/L/\$1	0.62
99-10080	SOCKET MINI BAY LAMP	1.88

PART NUMBER	DESCRIPTION	PRICE
99-10081	WIRE, KEY HOLDER	1.68
99-10082	COVER SWITCH	3.88
99-10095	SWITCH TOGGLE	6.86
99-10096	FASTENER, U-TYPE	0.28
99-10101	INLET, COIN WITH TAB	6.48
99-10103	PANEL, INNER, W/LEVERS	123.26
99-10104	KEEPER, APF	0.40
99-10105	BAR	0.32
99-10108	DECAL 50¢	1.10
99-10116	LEVER, COIN RETURN (P	3.46
99-10117	FLAP COIN RETURN	1.20
99-10118	BUTTON COIN RETURN	4.66
99-10119	BUTTON ASSY, COIN RET	7.20
99-10134	COVER COIN RETURN BU	3.74
99-10139	TOP DOOR, OV/UNDER #2	48.00
99-10140	INNER PANEL COIL ASY	28.80
99-10141	BEZEL, COIN RETURN	4.76
99-10142	BUTTON HOUSING, COIN	5.62
99-10143	FRAME OVER/UND #2	42.44
99-10145	CAM, OFFSET	1.30
99-10147	HARNES COIN DOR ASY	19.58
99-10148	CAMLOCK, TUBULAR & KEY	11.66
99-10149	DOOR LOWER OV/UNDER	50.16
99-10150	COVER SWITCH	2.16
99-10151	CHUTE, COIN INLET, LEF	1.58
99-10152	CHUTE, COIN INLET, RIG	2.60
99-10153	BOX, BOTTOM COIN RET	2.02

PART NUMBER	DESCRIPTION	PRICE
99-10154	BRACKET, SWITCH/CREM	12.86
99-11001	BALLAST 220V 50H2	25.10
99-11003	STARTER	0.86
99-120014	CAP, 44-203-20	11.76
99-120015	CAP, 44-202-32	16.00
99-120036	TRANSISTOR, BU208	10.08
99-120109	TRANSISTOR, MPSU03	2.78
99-120139	TRANSFORMER HI VOLT	111.12
99-120140	HV DOUBLER	101.90
99-120158	TRANSISTOR, MJE51T	5.18
99-120159	TRANSISTOR, TIP31B	1.54
99-120167	RECTIFIER BRIDGE	8.06
99-120171	REGULATOR 2N6057	5.48
99-120172	REGULATOR 2N6050	7.92
99-120178	YOKE DEFLECTION	67.88
99-120206	PCB, MAIN	255.84
99-120210	YOKE DEFLECTION	68.84
99-120211	FLYBACK EH A29951B/A	80.60
99-120214	TRANSISTOR, 2SC1106	7.58
99-120215	CRT 19" ELECTROHOME	416.00
99-120243	CAP, 10UF, 250V, ELECTR	1.48
99-120245	TRANSISTOR, 2SC2611	1.54
99-120246	SOCKET CRT	7.10
99-120260	RESISTOR, 220OHM 1/2W	0.68
99-120267	CAP, 47UF, 160V, ELECTR	3.16
99-120278	COIL, WIDTH	4.12
99-120281	TRANSFORMER HORIZ	2.36

PART NUMBER	DESCRIPTION	PRICE
99-120282	TRANSFORMER	4.90
99-120285	IC, HA11244	8.64
99-120286	TRANSISTOR, 2SD478	2.88
99-120287	TRANSISTOR, 2SC2371	1.54
99-120289	TRANSISTOR, 2SC2688	1.54
99-120290	TRANSISTOR, 2SC1890	0.62
99-120295	DIODE 2SA826	1.06
99-120316	CAP, 47UF, 160V, ELECTR	1.96
99-120330	POT 100K	0.82
99-120351	RES 1A600PIV	1.10
99-120362	PCB, DEFLECT E/H	152.84
99-120377	TRANSFORMER EHT	53.28
99-120378	PCB, EHT 02-160016-01	153.12
99-120393	YOKE 2100139-04	67.88
99-120396	CRT 15" B/W XY E/H	218.00
99-120402	PCB, CRT SOCKET	43.20
99-120415	CAP, OEY0034001	14.40
99-120418	TRANSISTOR, 2SA673	0.76
99-120419	TRANSISTOR, 2SC2610	1.40
99-120422	DIODE ZENER	0.80
99-120426	FUSE 1.25A	1.86
99-120428	FOCUS ASY, A46600A EH	21.08
99-120429	TRANSISTOR, 2SD870	9.60
99-120459	HARNESS ASY CRT	26.02
99-120460	HARNESS CHANNEL	14.78
99-120461	HARNESS CHANNEL	14.78
99-120462	HARNESS P100 ASSY	29.42

PART NUMBER	DESCRIPTION	PRICE
99-120463	HARNES CRT	27.94
99-120464	CRT 13"COLOR ELECTRO	316.00
99-120470	TRANSFORMER FLYBACK	79.68
99-130001	CAP,45X0558-001	34.22
99-130007	CAP,45X0515-032	2.06
99-130008	CAP,45X0524-027	1.10
99-130011	CAP,45X0524-051	1.80
99-130021	CAP,80X0099-076	0.28
99-130044	COIL,9A2787-001	4.80
99-130045	TRANSFORMER 53X0475	54.64
99-130046	TRANSFORMER 53X0474	72.40
99-130049	TRANSFORMER HORDRIVE	12.60
99-130122	TRANSISTOR,BU207	14.74
99-130129	TRANSISTOR,B4X0115	7.94
99-130132	TRANSISTOR,2N6557	7.58
99-130133	TRANSISTOR,MPSA70	2.20
99-130134	TRANSISTOR,MPSA56	1.44
99-130145	YOKE 9A2786-001	52.76
99-130148	PCB,ASY 38A5358 WG	251.88
99-130189	COIL,HORIZONTAL SIZE	6.04
99-130337	TRANSISTOR,2SC2068	4.76
99-130341	CONN,PLUG 5CKT	0.96
99-130346	CONN,SOCKET,CRT	10.80
99-130347	HI-VLTG ASY	184.42
99-130357	RES 1.5K OHM	2.16
99-130359	TRANSISTOR,MPSA20	1.44
99-130365	RES 3.9OHM 15W	1.16

PART NUMBER	DESCRIPTION	PRICE
99-130397	RESISTOR, 2 OHM 10W	2.02
99-130399	CAP, 6.8KPF, 50V,	13.68
99-130401	CAP, .47UF, 35V,	1.40
99-130410	DIODE 250V	2.16
99-130412	TRANSISTOR, NPN, T1S98	0.86
99-130418	478E, 5A, SLOW	2.16
99-130422	CONN, RCPT 7CKT	1.80
99-130445	CAP, 4.7UF, 160V ELEC	0.96
99-130446	TRANSISTOR, BU409	7.56
99-130448	DIODE 66X0068-002	3.74
99-130449	RECTIFIER HV	19.54
99-130451	DIODE ZENER, 62V, .5W	0.96
99-130455	TRANSFORMER HI VOLT	77.76
99-130459	YOKE DEFLECTION	73.44
99-130468	CABLE X ASSY	11.88
99-130469	POWER SUPPLY CABLE	11.98
99-130472	CRT 19" XY CLR WG	376.00
99-130473	HI-VLTG** PHASE 1/2#	351.00
99-130474	PCB, DEFLECT** 1 & 2#	260.50
99-130475	CABLE POWER ASSY	14.80
99-130476	YOKE DEFLECTION	107.02
99-130477	WEDGE, DEFLECT. YOKE	1.18
99-130478	LATERAL PURITY ASSY	7.88
99-130479	PCB, NECK** PHASE 1&2	132.84
99-130491	FOCUS G2 LEAD ASSY	6.00
99-130492	GROUND LEAD ASSY	2.88
99-130497	SOCKET TRANSISTOR	1.08

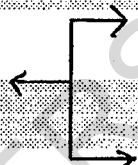
When ordering parts for the 92-053 Wells Gardner 19" color Quadrascan monitor, please have the model number available as there are 3 different models under the same 92-053 part number. The parts are not interchangeable.

Phase 1 & 2 = Model #19k6101
Phase 3 = Model #19k6102

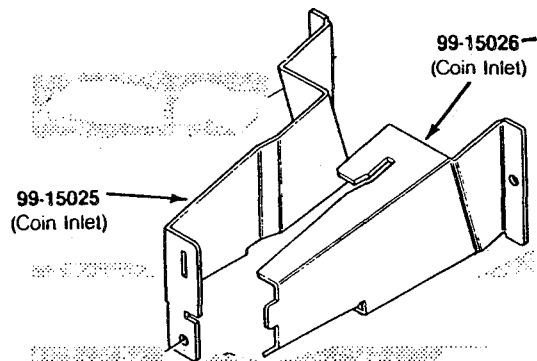
PART NUMBER	DESCRIPTION	PRICE
99-130501	HOUSING HV 25X3002	17.50
99-130507	POT 25K	1.38
99-130508	RES 56K OHM 1W	0.28
99-130509	TRANSISTOR, 2N3904 WG	1.42
99-130512	CAP, 22UF, 50V, ELECT	1.48
99-130513	CAP, 10UF, 50V ELEC	0.24
99-130514	CAP, .01UF, POLYPRO	0.32
99-130515	CAP, 1UF, 100V, MYLAR	0.76
99-130516	TRANSFORMER HI VOLT	129.60
99-130517	TRANSFORMER LEAD ASY	9.72
99-130519	CONN, HEADER 8CKT	1.52
99-130520	CAP, 68PF,	0.28
99-130527	RES 7.5 OHM 5%	0.86
99-130530	CONTROL, 300 OHM, CLR	2.48
99-130532	SOCKET CRT	11.78
99-130533	CONN, HEADER 8CKT	1.52
99-130547	RES 1.5 OHM NI	1.82
99-130548	DIODE S5A2	1.94
99-130550	THERMISTOR, PTC	9.16
99-130554	CAP, .47UF, 100V,	2.04
99-130555	CAP, 4700UF, 50V, ELECT	11.24
99-130557	CAP, .056UF, 400V	1.10
99-130561	CONN, 15CKT ASSY	28.30
99-130563	HEATSINK	2.48
99-130567	CAP, 10MF 350V	1.64
99-130568	RES 560 OHM 10%	2.24
99-130569	CAP, .035UF, 40V POLY	1.96

PART NUMBER	DESCRIPTION	PRICE
99-130601	PCB,NECK MODEL	125.84
99-130603	PCB,MAIN 19K46XX	226.80
99-130604	PCB,INTERFACE	71.28
99-130605	COVER HV 34X0685	11.88
99-130606	FOCUS BRACKET	0.44
99-130607	CABLE ASSY.	33.44
99-130608	VERT/HORIZONTAL BOARD	157.68
99-130610	PCB,INTERFACE	74.96
99-130611	PCB,HIGH VOLTAGE**#3	252.86
99-130612	PCB,DEFLECT* PHASE 3	276.92
99-130613	PCB,NECK** PHASE 3#	166.32
99-130614	CABLE,POWER SUP** #3	14.10
99-130629	CAPACITOR,100UF,6.3V	0.26
99-130652	CAP.33UF,160V ELECT	3.68
99-150001	IC,SYNC	3.22
99-150002	IC,VERTICAL OUTPUT	3.94
99-150003	CRT 14*CLR MAT GHB22	326.00
99-15001	BUTTON RETURN 25#	5.76
99-150010	FILTER,LINE	4.66
99-150014	TRANSISTOR,2SC564	2.06
99-150016	TRANSISTOR,2SC1905	0.96
99-150017	TRANSISTOR,2SD649	7.20
99-150018	TRANSISTOR,2SC1629	11.14
99-150019	TRANSISTOR,2SC1685	3.60
99-150212	RESISTOR,.47 OHM	0.48
99-15023	#USE 99-15083	0.00
99-15025	COIN INLET,LAMPSIDE	3.80

When ordering these parts for the 92-053 Wells Gardner 19" color Quadrascan Monitor, you need to have the model number available as there are 3 different model numbers under the 92-053 part #.



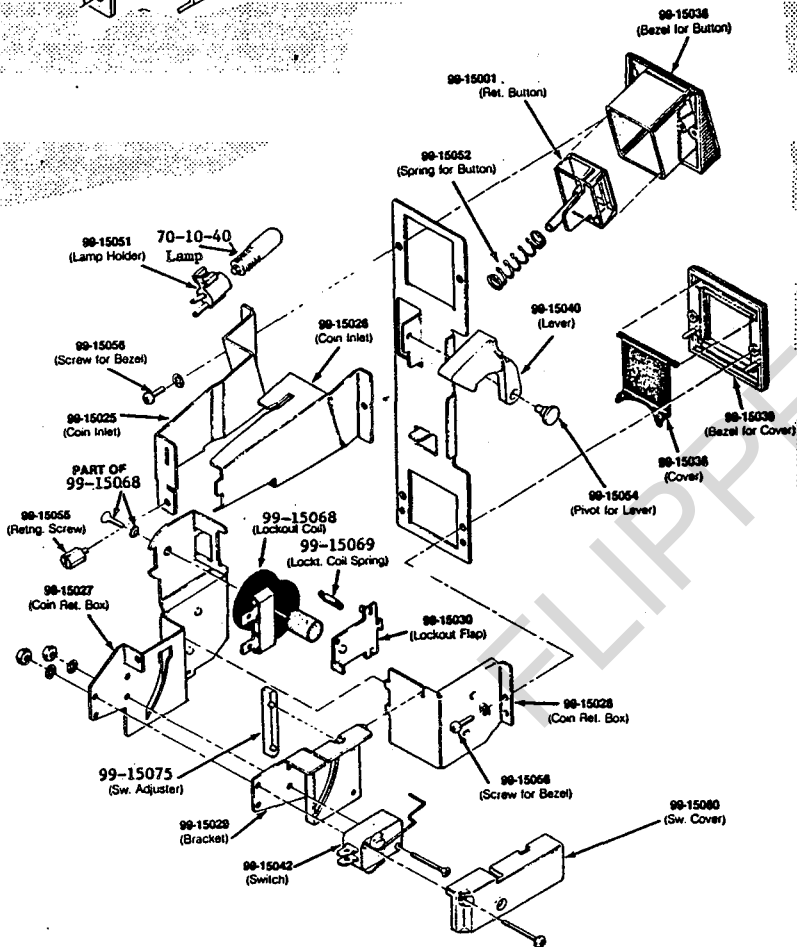
Phase 1 & 2= Model #19k6101
 Phase 3 = Model #19k6102



99-15025
(Coin Inlet)

99-15026
(Coin Inlet)

You might need to bend
this part slightly to
fit your particular
needs.



British-Made Coin Door
171901-013

ATARI SERVICE PARTS PRICE LIST PAGE 80

PART NUMBER	DESCRIPTION	PRICE
99-15026	COIN INLET SIDE(BEND)	3.32
99-15027	REJECT CUP, SIDEPLATE	8.92
99-15028	BASEPLATE REJECT CUP	7.58
99-15029	SWITCH PLATE	6.20
99-15030	FLAP LOCKOUT	2.50
99-150318	CAP, 1UF, 250V ELEC	0.34
99-15036	FLAP REJECT METAL	2.50
99-15038	BEZEL, BUTTON METAL	7.24
99-15039	BEZEL, REJCT FLP MTL	5.52
99-15040	COIN RETURN LEVER	1.48
99-15042	SWITCH 25#	5.80
99-15051	LAMPHOLDER, SCREW IN	0.68
99-15052	SPRING BUTTON	1.16
99-15054	STUD, PIVOT	1.06
99-150551	CAP, 33UF, 160V,	2.20
99-150560	TRANSISTOR, 2SC2923RL	2.16
99-150561	IC, H QSC-V-QSC	12.96
99-150562	TRANSISTOR, 2SC1683	5.66
99-150564	TRANSISTOR, 2SC1226	3.36
99-150568	TRANSISTOR, 2SD692	8.74
99-150569	TRANSISTOR, 2SC1473	2.02
99-150572	DIODE ZENER	2.40
99-150573	DIODE	1.40
99-150574	DIODE SILICON	2.26
99-150575	DIODE	1.88
99-150577	DIODE SILICON	4.80
99-150579	DIODE TVSRM25	3.70

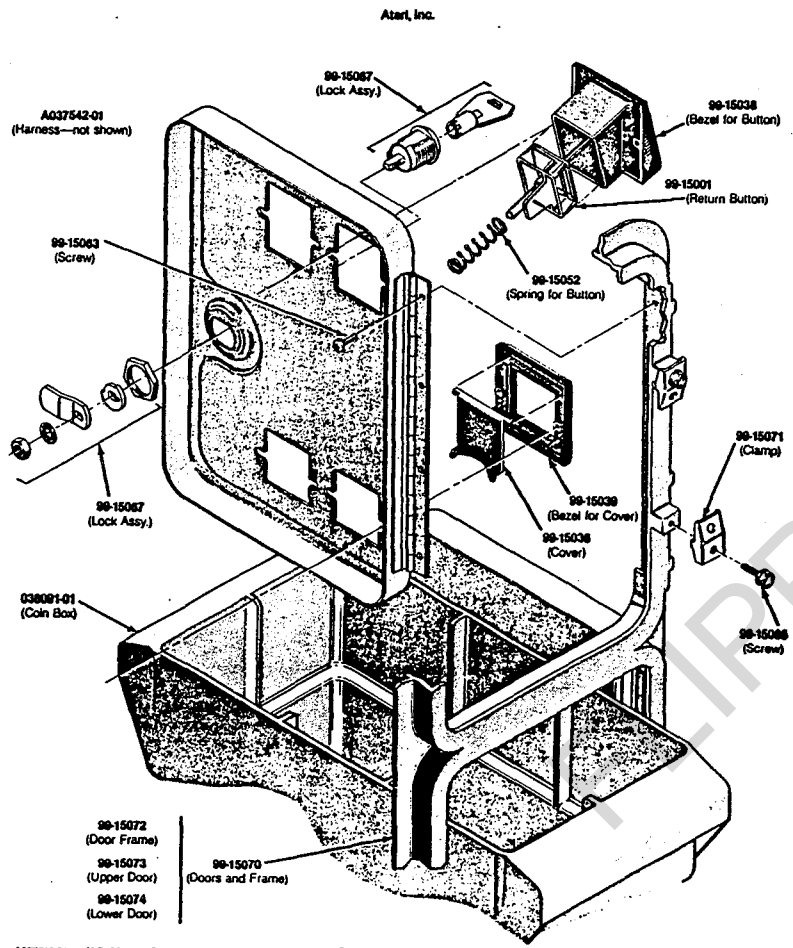
C42127L DATE: 08/03/83

ATARI SERVICE PARTS PRICE LIST PAGE 80

PART NUMBER	DESCRIPTION	PRICE
99-150575	DIODE	1.88
99-150577	DIODE SILICON	4.80
99-150579	DIODE TVSRM25	3.70
99-150582	DIODE POSISTOR	5.38
99-150583	DIODE SILICON	3.70
99-150584	CRT 19,51OTFB22AW,MT	216.00
99-150585	COIL,DEFLECTION YOKE	110.16
99-150586	COIL,DEGAUSSING	26.88
99-150588	COIL,TSC909 MATSUSHI	0.72
99-150589	COIL,LINEARITY	5.08
99-150590	COIL,HORIZONTAL AMP	4.56
99-150591	COIL,PEAKING,1UH	1.44
99-150592	FILTER,POWER	6.48
99-150593	TRANSFORMER H DRIVE	9.12
99-150594	TRANSFORMER	110.60
99-150595	TRANSFORMER PINCUSIN	8.74
99-150597	FUSE 4A,SLOW BLOW	0.96
99-150598	FUSE 1.5A,SLOW BLOW	0.96
99-150599	POT 5K OHM	1.96
99-15060	COVER SWITCH	3.46
99-150601	POT SCREEN	3.64
99-150604	POT H-HOLD	1.68
99-150605	POT 500 +B	1.54
99-150606	POT FOCUS	15.56
99-15061	DOOR DUAL ENTRY,BLK	33.60
99-150618	RES 2.7 OHM 2W	2.88
99-150628	RES 330 OHM 5%	10.08

PART NUMBER	DESCRIPTION	PRICE
99-150582	DIODE POSISTOR	5.38
99-150583	DIODE SILICON	3.70
99-150584	CRT 19"51OTFB22AW,MT	216.00
99-150585	COIL,DEFLECTION YOKE	110.16
99-150586	COIL,DEGAUSSING	26.88
99-150588	COIL,TSC909 MATSUSHI	0.72
99-150589	COIL,LINEARITY	5.08
99-150590	COIL,HORIZONTAL AMP	4.56
99-150591	COIL,PEAKING,1UH	1.44
99-150592	FILTER,POWER	6.48
99-150593	TRANSFORMER H DRIVE	9.12
99-150594	TRANSFORMER	110.60
99-150595	TRANSFORMER PINCUSIN	8.74
99-150597	FUSE 4A,SLOW BLOW	0.96
99-150598	FUSE 1.5A,SLOW BLOW	0.96
99-150599	POT 5K OHM	1.96
99-15060	COVER SWITCH	3.46
99-150601	POT SCREEN	3.64
99-150604	POT H-HOLD	1.68
99-150605	POT 500 +B	1.54
99-150606	POT FOCUS	15.56
99-15061	DOOR DUAL ENTRY,BLK	33.60
99-150618	RES 2.7 OHM 2W	2.88
99-150628	RES 330 OHM 5%	10.08
99-150633	RES 2.2K OHM 5%	0.72
99-150634	RES 4.7K OHM 5%	2.88
99-150635	RES 56 OHM 5% 2	1.16

PART NUMBER	DESCRIPTION	PRICE
99-15064	FRAME DUAL COIN DOOR	43.20
99-150647	RES 1.2K OHM 5%	1.00
99-150649	RES 32.4K OHM 1	1.58
99-150652	RES 13K OHM 1%	1.58
99-150655	RESISTOR, .47 OHM 10%	2.16
99-150663	RES 1.2 OHM 10%	2.16
99-150664	RES 200 OHM 5%	4.56
99-15067	LOCK W/2KEYS & LATCH	21.88
99-15068	COIL, LOCKOUT, 12V	3.84
99-150692	CAP, 100UF, 100V,	4.22
99-15070	OVER-UNDR DOOR&FRAME	100.80
99-150705	CAP, 1800PF, 50V	0.48
99-150707	CAP, 2200PF, 2000V,	2.54
99-150708	CAP, .033UF, 100V	0.68
99-15071	CLAMP FOR OV/UN DOOR	1.88
99-150712	CAP, .47UF, 400V,	3.98
99-150715	CAP, 800UF, 200V,	22.66
99-15072	FRAME OVR/UNDER DOOR	43.20
99-150722	PCB, MONITOR MATSUSHI	352.60
99-150723	PCB, NECK MATSUSHITA	29.62
99-150724	PCB, VIDEO AMP MATSUS	29.62
99-150725	PCB, DEFLECT MATSUSHI	18.96
99-150729	DIODE SILICON	2.54
99-15073	DOOR UPPER, OVER/UNDR	33.60
99-15074	DOOR LOWER OVER/UNDR	33.60
99-15075	SWITCH ADJUSTER	2.88
99-150781	UNTI-RINGING	4.08



- A037819-01 — U.S. 25c/25c Coin Door
- A037819-02 — U.S. 50c/50c Coin Door
- A037819-03 — Canadian 25c/25c Coin Door
- A037819-04 — British 10 P/10 P Coin Door
- A037819-05 — British 10 P/50 P Coin Door
- A037819-06 — British 20 P/50 P Coin Door
- A037819-07 — Australian 20c/20c Coin Door
- A037819-08 — German 1 DM/1 DM Coin Door
- A037819-09 — German 2 DM/1 DM Coin Door
- A037819-10 — German 2 DM/5 DM Coin Door
- A037819-11 — German 1 DM/5 DM Coin Door
- A037819-12 — S Fr/5 Fr Coin Door
- A037819-13 — Swiss 1 Fr/1 Fr Coin Door
- A037819-14 — French 1 Fr/1 Fr Coin Door
- A037819-15 — French 2 Fr/1 Fr Coin Door
- A037819-16 — Swedish 1 Kr/1 Kr Coin Door
- A037819-17 — Spanish 25 Ptas/25 Ptas Coin Door
- A037819-18 — Italian 100 L/100 L Coin Door
- A037819-19 — Hong Kong \$1/\$1 Coin Door
- A037819-20 — Japanese 100Y/100Y Coin Door

British-Made Vertically Mounted Coin Door, continued

171034-001

PART NUMBER	DESCRIPTION	PRICE
99-15083	BASE PLATE,W/PIVOT	14.16
99-160001	PCB,CONTROL ASSY	12.08
99-160002	PCB,MAIN SANYO	361.86
99-160006	CRT 14*** SANY/LG/SM	256.28
99-160007	IC,Q7606	9.12
99-160008	IC,Q7607	3.46
99-160011	TRANSFORMER FB**MFG#	43.54
99-160012	TRANSISTOR,NPN	2.68
99-160013	TRANSISTOR,NPN	5.32
99-160407	POT 20K OHM	0.36
99-160452	COIL WIDTH	2.78
99-160453	COIL,WIDTH	1.20
99-160458	YOKE DEFLECTION	58.42
99-160459	MAGNET CONVERGANCE/P	4.18
99-160460	COIL,DEGAUSSING	19.88
99-160462	PCB,NECK	86.40
99-160463	CONTROL CIRCUIT ASSY	21.64
99-160464	PCB,MAIN CIRCUIT	630.96
99-160465	TRANSISTOR,2SD869	6.62
99-160469	TRANSISTOR,2SD1090	5.14
99-160470	CRT 19"51OUTB22 SANY	683.42
99-160472	CRT SOCKET	6.14
99-160474	COIL,PEAKING	0.34
99-160475	COIL,PEAKING	0.34
99-160493	CAP,CNJCM563	1.24
99-160494	CAP,.47, PDLYPR	1.30
99-160499	CAP,330UF,220V,ELECT	7.68

When ordering parts for the 92-048 Sanyo 13-14" monitor, please have the manufacture serial number available. There are 2 different models under the same part number and the parts are not interchangeable.

There is a label on the CRT with the manufacturer's part number

MOG-370ECB22
MIC-370HAB22

PART NUMBER	DESCRIPTION	PRICE
99-160504	LEVER, SWITCH	0.86
99-160507	FUSE E5099, 125V350	1.06
99-160508	TRANSFORMER FLYBACK	58.28
99-160512	IC, LA5112N	3.36
99-160538	RES MET-OX 1.5K	0.38
99-160539	RESISTOR, .220HM 20W	1.72
99-160540	RESISTOR, 3.9 OHM	0.68
99-160541	RESISTOR, 4.7OHM	0.68
99-160542	RESISTOR, 470 OHM	0.92
99-160543	RESISTOR, 3 OHM 7W	0.92
99-160558	RES RFA0JAO4	1.82
99-160577	DIODE	0.82
99-160578	TRANSISTOR, 2SC2073	2.50
99-160579	TRANSISTOR, NPN, 2SA94	2.50
99-160580	TRANSISTOR, 2SC2551	0.96
99-160582	COIL, LINEARITY	2.06
99-160603	TRANSISTOR, NPN	2.08
99-160623	CAP, 10UF, ELEC	0.44
99-160624	CAP, 1UF, ELEC	0.44
99-200005	EPROM 2764 ARABIAN	50.00
99-200016	EPROM 2764 ARABIAN	50.00
99-200017	EPROM 2764 ARABIAN	50.00
99-200018	EPROM 2764 ARABIAN	50.00
99-200019	EPROM 2764 ARABIAN	50.00
99-200020	EPROM 2764 ARABIAN	50.00
99-200021	EPROM 2764 ARABIAN	50.00
99-200022	EPROM 2764 ARABIAN	50.00

FLIPPERS.COM

ATARI, INC.
 COIN-OPERATED GAMES DIV
 CUSTOMER SERVICE

 ***** SERVICE PARTS PRICE LIST *****

ACCESS PANEL, COCKTL	037822-03	20.40
ACTUATOR DISC	002300-01	2.78
ACTUATOR PIN LONG	035844-01	.52
ACTUATOR SWITCH	006064-01	.24
ACTUATOR SWITCH, NYLO	99-080027	.76
ACTUATOR SWITCH, NYLO	99-080038	.28
ASHTRAY, ATARI	08-0302058	3.50
BALL & BUSHING SPER	A008997-01	23.86
BALL BEARING	035937-01	2.44
BALL EJECTOR ASSY.	A020996-03	22.56
BALL EJECTOR SPRING	021021-01	.44
BALL HANDLE SHAFT	99-080028	5.32
BALL KNOB BLACK	039940-01	5.76
BALL LARGE TRACKBALL	033366-01	39.00
BALL MIDI FLUORESENT	038043-02	31.20
BALL MIDI-TRACKBALL	038043-01	33.60
BALL MINI-TRACK	035936-01	8.64
BALL PLASTIC, 3/8" BZ	178010-001	.24
BALL SHOOTER/ROD ASY	A021171-01	72.50
BALLAST 220V 50H2	99-11001	25.10
BAR	99-10105	.32
BAR, HANDLE	034448-01	17.52
BAR, LATCH	037791-01	12.24
BASE DISPLAY COMP	039363-02	9.94
BASEPLATE REJECT CUP	99-15028	7.58
BASEPLATE WELDMENT	039239-01	26.26
BASEPLATE 1-ENTRY	99-15023	5.18
BATTERY, NICKLE-CADMI	171028-001	20.54
BATTERY, NICKLE-CADMI	171038-001	10.56

PRINT DATE: 07/29/83

ATARI, INC.
 COIN-OPERATED GAMES DIVISION
 CUSTOMER SERVICE

 ***** SERVICE PARTS PRICE LIST *****

PART DESCRIPTION	PART NUMBER	PRICE
BEARING	033367-01	4.52
BEARING	040243-01	.76
BEARING FLANGED SLEE	178100-001	1.60
BEARING SCAVENGER BU	004327-01	.28
BEARING SPACER	040241-01	.48
BEARING THOM W/NOTCH	76-092020	.48
BEARING THOMPSON	76-091010	.58
BELLOWS JOYSTICK	99-080031	4.80
BEZEL	006530-01	.62
BEZEL REAR SKYRAIDER	008580-01	25.88
BEZEL, ALUMINUM	001856-01	2.02
BEZEL, AST DELUXE	036617-03	5.08
BEZEL, BACK AST DLX	036617-02	24.00
BEZEL, BACK BATTLEZ	035829-01	13.92
BEZEL, BATTLE ZONE	036124-01	1.82
BEZEL, BLK ANODIZED	001856-02	2.02
BEZEL, BLK PLASTIC	033127-01	.58
BEZEL, BLK PLST/NTCH	036895-01	.58
BEZEL, BUTTON METAL	99-15038	7.24
BEZEL, CKT ASTERIOD	035911-01	5.38
BEZEL, CKT MISLE COM	036078-01	2.78
BEZEL, COIN RETURN	99-10141	4.76

PRINT DATE: 07/29/83

ATARI, INC.
 COIN-OPERATED GAMES DIVISION
 CUSTOMER SERVICE

 ***** SERVICE PARTS PRICE LIST *****

PART DESCRIPTION	PART NUMBER	PRICE
BEZEL, DISPLAY	040142-01	14.26
BEZEL, DISPLAY WG	039832-01	20.40
BEZEL, DLX ASTEROID	036617-01	25.32
BEZEL, FRNT ASTEROID	035052-02	11.48
BEZEL, FRONT NIGTRV	A007637-01	28.46
BEZEL, FRONT 25#	A007637-16	56.38
BEZEL, HANDLE	036276-01	2.10
BEZEL, MISLE COM UP	035387-01	60.00
BEZEL, MONITOR	038147-01	74.88
BEZEL, MONITOR	038232-01	24.76
BEZEL, MONITOR	038493-01	19.68
BEZEL, MONITOR AST	035052-01	12.24
BEZEL, MONITOR BLK	037322-01	11.62
BEZEL, MONITOR BLK	037681-01	24.00
BEZEL, MONITOR BLK	039750-01	20.92
BEZEL, MONITOR MPD U	039320-01	15.36
BEZEL, MONITOR TEMP	037743-01	9.60
BEZEL, MONITOR, QUAN	039530-01	19.68
BEZEL, MTR STWRS SD	040526-01	23.32
BEZEL, MTR STWRS UP	040377-01	16.32
BEZEL, MTR XEVIUS	A039858-01	27.46
BEZEL, REAR AST DLX	036617-04	5.08

PRINT DATE: 07/29/83

ATARI, INC.
 COIN-OPERATED GAMES DIVISION
 CUSTOMER SERVICE

 ***** SERVICE PARTS PRICE LIST *****

	PART DESCRIPTION	PART NUMBER	PRICE
	BEZEL, REJCT FLP MTL	99-15039	5.52
	BEZEL, SIDE, DLX ASTE	036617-05	5.08
	BEZEL, VIDEO DISPLAY	039149-01	18.72
	BEZEL, VIDEO DISPLAY	039407-01	18.24
This Monitor Bezel is black. We no longer stock it in blue.	BEZEL, MONITOR BLACK	037443-03	14.16
	BOX, BOTTOM COIN RET	99-10153	2.02
	BRACE, CKTL TABLE	037335-01	13.20
	BRACKET COMPONENT	040412-01	10.08
	BRACKET CONTROL 2VOL	039457-01	11.28
	BRACKET CONTROL 4VOL	039295-01	12.24
	BRACKET FAN	040546-01	6.18
	BRACKET MOUNTING	040115-01	13.78
	BRACKET MOUNTING	040116-01	4.56
	BRACKET, BALL SHOOTER	A021517-02	96.00
	BRACKET, COIN BOX	036262-01	1.44
	BRACKET, COINMECH RET	037753-01	9.12
	BRACKET, CORNER	035852-01	4.80
	BRACKET, LATCH	035850-01	1.96
	BRACKET, LATCH ARM	038133-01	5.76
	BRACKET, LATCH GUIDE	037833-01	5.04
	BRACKET, LATCH GUIDE	037833-02	3.76
	BRACKET, MON. SUP LEFT	034913-02	12.00

PRINT DATE: 07/29/83

ATARI, INC.
 COIN-OPERATED GAMES DIVISION
 CUSTOMER SERVICE

 ***** SERVICE PARTS PRICE LIST *****

PART DESCRIPTION	PART NUMBER	PRICE
BRACKET, MONITOR	038131-01	5.28
BRACKET, MONITOR	038132-01	14.40
BRACKET, MONITOR CAB	037529-01	7.20
BRACKET, MONITOR MNTG	037792-01	18.72
BRACKET, MONITOR SUPP	037750-01	2.60
BRACKET, MONITOR SUPP	038181-01	3.60
BRACKET, MONITOR SUPP	039531-01	17.62
BRACKET, MOUNTING, 2"	78-70501SC	1.14
BRACKET, POT LINKAGE	005314-01	6.32
BRACKET, SHIELD SUPPO	039523-01	13.68
BRACKET, START SWITCH	038385-01	7.20
BRACKET, SWITCH/CREM	99-10154	12.86
BRKT, MTG COLOR X-Y	201018-01	6.96
BUCKLE, BRASS BELT	08-0302155	11.20
BULB 7-1/2W 120V	70-1617P5	1.16
BUMPER STK I LUV VID	08-0302158	1.00
BUMPER STOP	040240-01	2.20
BUSHING	002294-01	6.04
BUTTON ASSY WHITE	178030-001	.60
BUTTON ASSY 1 PLAYER	A004304-07	30.52
BUTTON ASSY, BLACK NY	178030-003	.60
BUTTON ASSY, COIN RET	99-10119	7.20

PRINT DATE: 07/29/83

ATARI, INC.
COIN-OPERATED GAMES DIVISION
CUSTOMER SERVICE

***** SERVICE PARTS PRICE LIST *****

PART DESCRIPTION	PART NUMBER	PRICE
BUTTON ASSY, GREEN NY	178030-005	.60
BUTTON ASSY, ORANGE	178030-002	.84
BUTTON ASSY, RED NYLO	178030-004	.60
BUTTON ASSY, YELLOW	178030-007	.60
BUTTON COIN RET 25¢	99-10012	4.08
BUTTON COIN RETURN	99-10118	4.66
BUTTON HOUSING, COIN	99-10142	5.62
BUTTON RED	002299-01	.38
BUTTON RETURN 25¢	99-15001	5.76
BUTTON SCAVENGER	004326-01	5.80
BUTTON STAR ROLLOVER	99-080016	1.00
BUTTON THROTTLE	040096-01	.24
C/PNL & DCAL MLPD CK	A040064-01	79.06
C/PNL & DECAL ARABIN	A040271-01	62.06
C/PNL & DECAL AST CK	035878-01	46.80
C/PNL & DECAL AST UP	035047-01	72.00
C/PNL & DECAL BATLZN	035830-01	95.52
C/PNL & DECAL BLKWID	A039975-01	78.54
C/PNL & DECAL CPD CK	A037763-01	54.82
C/PNL & DECAL CPD UP	A037408-01	71.62
C/PNL & DECAL CRYSTL	A040107-01	60.72
C/PNL & DECAL FODFGT	A039745-01	70.76

PRINT DATE: 07/29/83

ATARI INC.
 COIN-OPERATED GAMES DIVISION
 CUSTOMER SERVICE

 ***** SERVICE PARTS PRICE LIST *****

PART DESCRIPTION	PART NUMBER	PRICE
C/PNL & DECAL KANGAR	A038415-01	68.88
C/PNL & DECAL LIBERA	A038499-01	86.78
C/PNL & DECAL LIBERA	A038500-01	369.36
C/PNL & DECAL MILIPD	A039346-01	70.08
C/PNL & DECAL PP SD	A039108-01	68.88
C/PNL & DECAL PP UP	A039411-01	56.30
C/PNL & DECAL QUANTM	A039512-01	77.28
C/PNL & DECAL STARWA	A040373-01	62.64
C/PNL & DECAL STWR S	A040519-01	41.24
C/PNL & DECAL XEVIDU	A039825-01	62.88
C/PNL ASY ARABIAN	A040270-01	197.56
C/PNL ASY AST UP	A035053-01	179.00
C/PNL ASY BLCK WIDOW	A039974-01	182.40
C/PNL ASY FOODFGT UP	A039746-01	304.80
C/PNL ASY FOODFT CKT	A040313-01	242.16
C/PNL ASY KANGAROO U	A038414-01	199.64
C/PNL ASY MILIP CKTL	A040063-01	305.08
C/PNL ASY MILLIPED U	A039308-01	343.72
C/PNL ASY POLEPOS SD	A039107-01	401.06
C/PNL ASY POLEPOS UP	A039412-01	377.00
C/PNL ASY QUANTUM	A039514-01	338.44
C/PNL ASY STARWAR SD	A040518-01	576.52

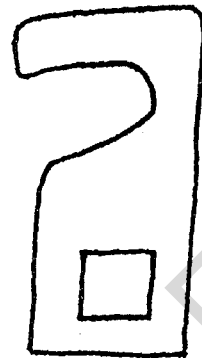
PRINT DATE: 07/29/83

ATARI, INC.
COIN-OPERATED GAMES DIVISION
CUSTOMER SERVICE

***** SERVICE PARTS PRICE LIST *****



FLAT CAM 033369-01



NEW VERSION

036764-01

HOLDS TABLE TOP ON COCKTAIL GAMES



OLD VERSION

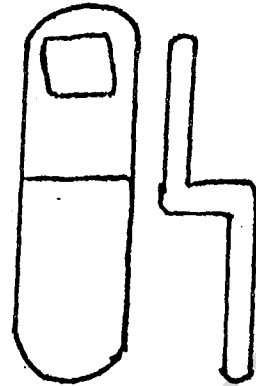
71-3101

PART DESCRIPTION	PART NUMBER	PRICE
C/PNL ASY XEVIOUS U	A039824-01	218.84
C/PNL WG AST DLX CAB	A036888-01	83.02
C/PNL WG FOODFGT CKT	A040314-01	67.72
C/PNL WG LEMANS	032844-01	91.20
C/PNL WG MISCOP UP	035384-01	92.40
C/PNL WG NIGHTDRIVER	006261-02	52.80
C/PNL WG SPACDUEL UP	A037301-01	73.20
C/PNL WG TEMPEST UP	A037737-01	89.68
CABLE ADAPTER	001853-01	12.92
CABLE ASSY.	99-130607	33.44
CABLE GTF I, INTERFACE	08-0302079	20.00
CABLE INTERCONNECT	A040472-01	5.24
CABLE POLE POSITION	039242-01	2.70
CABLE POWER ASSY	99-130475	14.80
CABLE STEERING	008018-01	40.00
CABLE X ASSY	99-130468	11.88
CABLE SOCKT ASSY	171025-001	48.00
CABLE,POWER SUP** #3	99-130614	14.10
CAM ASSY SINGLE	A020404-01	19.10
CAM,COCKTAIL TOP	036764-01	3.12
CAM,OFFSET	99-10145	1.30
CAM,PINBALL COINDOOR	033369-01	1.00

PRINT DATE: 07/29/83

ATARI, INC.
 COIN-OPERATED GAMES DIVISION
 CUSTOMER SERVICE

 ***** SERVICE PARTS PRICE LIST *****



BENT CAM - 178086-002

PART DESCRIPTION	PART NUMBER	PRICE
CAM, 3/8 OFFSET UP	178086-002	1.68
CAMLOCK, TUBULAR & KEY	99-10148	11.66
CAP CORNER MACHINE	040448-01	17.24
CAP, .001UF, 100V, MYLR	21-101102	.32
CAP, .0047UF, 100V, MYL	21-101472	.32
CAP, .01UF, POLYPRO	99-130514	.32
CAP, .015 MYLAR	21-101153	.36
CAP, .033UF, 100V	99-150708	.68
CAP, .035UF, 40V POLY	99-130569	1.96
CAP, .039PF, 100V, MICA	128002-390	.32
CAP, .047PF, 100V, MICA	128002-470	.24
CAP, .047UF, 100V, MYLR	21-101473	.44
CAP, .047UF, 50V, PLYCA	122010-473	1.44
CAP, .047UF, 50V, POLYCO	121007-473	1.80
CAP, .056UF, 400V	99-130557	1.10
CAP, .068PF, 100V, MICA	128002-680	.32
CAP, .1UF, 100V, 10%, PL	121022-104	.28
CAP, .1UF, 25V, CERAMIC	27-250104	.28
CAP, .1UF, 50V, 10%, CER	121015-104	.64
CAP, .22UF, 250V	129001-224	1.92
CAP, .22UF, 100V, MYLAR	21-101224	.42
CAP, .47, POLYPR	99-160494	1.30

PRINT DATE: 07/29/83

ATARI, INC.
 COIN-OPERATED GAMES DIVISION
 CUSTOMER SERVICE

 ***** SERVICE PARTS PRICE LIST *****

PART DESCRIPTION	PART NUMBER	PRICE
CAP, .47UF, 100V,	99-130554	2.04
CAP, .47UF, 100V, MYLAR	21-101474	.92
CAP, .47UF, 35V,	99-130401	1.40
CAP, .47UF, 400V,	99-150712	3.98
CAP, ALUM ELEC, 10UF, 2	123007-106	.40
CAP, ALUM ELEC, 220UF	123009-227	.60
CAP, BASEBALL, BLACK	08-0302196	7.60
CAP, BASEBALL, RED	08-0302193	7.60
CAP, BASEBALL, GREEN	08-0302195	7.60
CAP, BASEBALL, RYL BLU	08-0302197	7.60
CAP, BASEBALL, YELLOW	08-0302194	7.60
CAP, BELLOWS	036955-01	1.20
CAP, CNJCM563	99-160493	1.24
CAP, FLYWHEEL	036797-01	2.40
CAP, QEY0034001	99-120415	14.40
CAP, STEERING	039230-01	16.56
CAP, 1MF, 50V, ELEC	24-500105	.24
CAP, 1UF, ELEC	99-160624	.44
CAP, 1UF, 100V, MYLAR	99-130515	.76
CAP, 1UF, 20V, 10%, TANT	121021-105	2.36
CAP, 1UF, 250V ELEC	99-150318	.34
CAP, 10KPF, 50V, 10%, CE	121015-103	.24

PRINT DATE: 07/29/83

ATARI, INC.
 COIN-OPERATED GAMES DIVISION
 CUSTOMER SERVICE

 ***** SERVICE PARTS PRICE LIST *****

PART DESCRIPTION	PART NUMBER	PRICE
CAP, 10MF 350V	99-130567	1.64
CAP, 10PF, 100V, MICA	128002-100	.36
CAP, 10UF, ELEC	99-160623	.44
CAP, 10UF, 16V, 20%, AE	123006-106	.24
CAP, 10UF, 250V, ELECTR	99-120243	1.48
CAP, 10UF, 50V ELEC	99-130513	.24
CAP, 100PF, 100V, MICA	128002-101	.32
CAP, 100UF, ALUM	123000-107	.28
CAP, 100UF, 100V,	99-150692	4.22
CAP, 100UF, 16V, 20%, AE	123004-101	.24
CAP, 100UF, 25V, AL-ELE	123003-107	.32
CAP, 100UF, 25V, ELECTR	23-250107	.32
CAP, 100UF, 35V, ELECTR	24-350107	.68
CAP, 1000PF, 50V, 10%, C	121020-102	1.10
CAP, 150PF, 100V, MICA	128002-151	.36
CAP, 150PF, 100V, 5%, CR	122016-151	.38
CAP, 1800PF, 50V	99-150705	.48
CAP, 2.2UF, 50V, ELECTR	24-500225	.38
CAP, 2.2UF, 50V, 20%, AE	123005-225	.24
CAP, 22PF, 100V, MICA	128002-220	.32
CAP, 22UF, 25V, CERAMIC	122008-224	.46
CAP, 22UF, 35V, AL-ELEC	24-350226	.40

PRINT DATE: 07/29/83

ATARI, INC.
 COIN-OPERATED GAMES DIVISION
 CUSTOMER SERVICE

 ***** SERVICE PARTS PRICE LIST *****

PART DESCRIPTION	PART NUMBER	PRICE
CAP, 22UF, 50V, ELECT	99-130512	1.48
CAP, 220PF, 100V, MICA	128002-221	.50
CAP, 220PF, 100V, 5%, CR	122016-221	.38
CAP, 2200PF, 2000V,	99-150707	2.54
CAP, 2200UF, 25V, AL-EL	24-250228	1.36
CAP, 23510255B73	99-010110	26.40
CAP, 26KUF, ELEC	29-053	9.88
CAP, 33PF, 100V, MICA	128002-330	.34
CAP, 33PF, 50V, 10%, CER	121020-330	1.20
CAP, 33UF, 160V ELECT	99-130652	3.68
CAP, 33UF, 160V,	99-150551	2.20
CAP, 33UF, 250V, AL-ELE	123002-336	.64
CAP, 330PF, 100V, MICA	128002-331	.68
CAP, 330UF, 220V, ELECT	99-160499	7.68
CAP, 330UF, 50V, AL-ELE	24-500337	2.12
CAP, 3300UF, 35V, AL-EL	24-350338	2.24
CAP, 390PF, 100V, MICA	128002-391	.72
CAP, 4.7UF, 160V ELEC	99-130445	.96
CAP, 44-202-32	99-120015	16.00
GAP, 44-203-20	99-120014	11.76
CAP, 45X0515-032	99-130007	2.06
CAP, 45X0524-027	99-130008	1.10

PRINT DATE: 07/29/83

ATARI, INC.
 COIN-OPERATED GAMES DIVISION
 CUSTOMER SERVICE

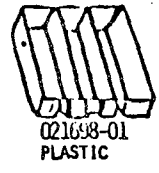
 ***** SERVICE PARTS PRICE LIST *****

PART DESCRIPTION	PART NUMBER	PRICE
CAP, 45X0524-051	99-130011	1.80
CAP, 45X0558-001	99-130001	34.22
CAP, 47MF, 25V, ELECTRO	24-250476	1.24
CAP, 47UF, 160V, ELECTR	99-120267	3.16
CAP, 47UF, 160V, ELECTR	99-120316	1.96
CAP, 47UF, 50V, ELECT	24-500476	.44
CAP, 470PF, 50V, 10%, CR	121020-471	1.60
CAP, 470UF, V, AL-EL	123008-477	3.96
CAP, 470UF, ALUM	123004-471	.42
CAP, 470UF, 16V, AL-ELE	24-160477	.56
CAP, 470UF, 50V, AL-ELE	123001-477	.60
CAP, 4700UF, 16V, ELECT	24-160478	3.60
CAP, 4700UF, 25V, ELECT	24-250478	2.12
CAP, 4700UF, 50V, ELECT	99-130555	11.24
CAP, 6.8KPF, 50V,	99-130399	13.68
CAP, 68PF,	99-130520	.28
CAP, 80X0099-076	99-130021	.28
CAP, 800UF, 200V,	99-150715	22.66
CAP, 8000UF, V, ELE	24-160808	2.44
CAR COMP YELLOW F-1	A008390-02	3.94
CAR RED COMP F-1	A008390-01	3.94
CASE, CATBOX CARRYING	178021-001	101.40

ATARI, INC.
COIN-OPERATED GAMES DIVISION
CUSTOMER SERVICE

***** SERVICE PARTS PRICE LIST *****

PART DESCRIPTION PART NUMBER PRICE



CASH BOX, ASY 2 HOLES A030268-01 27.16

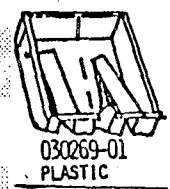
CASH BOX, LID, HNDL, 05 A021700-01 29.80

CASH BOX, LID, HNDL, 15 A021700-02 33.36

CASH BOX, LID, HNDL, 25 A021700-03 35.90

CASH DRAWER 021698-01 12.24

CASH DRAWER, PLASTIC 030269-01 20.68



CAT BOX ** ADD Z80 A037162-01 930.00

CATBOX Z80A**INTERFC 08-0303030 65.00

CENTERING SPRNG BELO A037853-01 11.14

CENTERING WASHER .68 033211-01 1.44

CHOKE 99-010111 21.00

CHUTE, COIN 99-10068 1.54

CHUTE, COIN INLET, LEF 99-10151 1.58

CHUTE, COIN INLET, RGT 99-10040 15.98

CHUTE, COIN INLET, RIG 99-10152 2.60

CHUTE, COIN RET. BOX 99-10065 2.68

CLAMP CABLE 001940-01 4.32

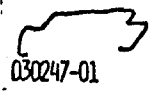
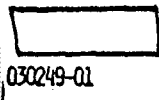
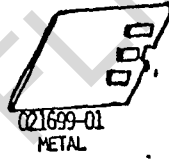
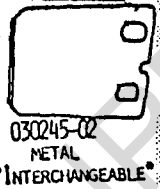
CLAMP FOR OV/UN DOOR 99-15071 1.88

COIL A007030-01 5.28

COIL WIDTH 99-160452 2.78

COIL, BRACKET ASY A007033-01 11.32

COIL, DEFLECTION YOKE 99-150585 110.16



PRINT DATE: 07/29/83

ATARI, INC.
 COIN-OPERATED GAMES DIVISION
 CUSTOMER SERVICE

 ***** SERVICE PARTS PRICE LIST *****

79-517222



THIS CONNECTOR IS ON THE RFI BOARD
 TO ATTACH RFI BOARD TO MAIN BOARD
 RFI = RADIO FREQUENCY INTERFERANCE
 ALSO USED ON PINBALL TO ATTACH TO
 FUSE BOARD

PART DESCRIPTION	PART NUMBER	PRICE
COIL,DEGAUSSING	A201003-01	12.00
COIL,DEGAUSSING	A039710-01	2.78
COIL,DEGAUSSING	99-150586	26.88
COIL,DEGAUSSING	99-160460	19.88
COIL,DIODE ASY	A020470-01	5.86
COIL,HORIZ MOTOROLA	99-010122	10.40
COIL,HORIZONTAL	99-010158	11.52
COIL,HORIZONTAL AMP	99-150590	4.56
COIL,HORIZONTAL SIZE	99-130189	6.04
COIL,LINEARITY	99-150589	5.08
COIL,LINEARITY	99-160582	2.06
COIL,LOCK OUT 10V	99-10047	15.84
COIL,LOCKOUT,12V	99-15068	3.84
COIL,PEAKING	99-160474	.34
COIL,PEAKING	99-160475	.34
COIL,PEAKING,1UH	99-150591	1.44
COIL,PLUNGER ASSY	A006785-03	.96
COIL,STOP ASSY	A020401-01	1.44
COIL,TSC909 MATSUSHI	99-150588	.72
COIL,WIDTH	99-120278	4.12
COIL,WIDTH	99-160453	1.20
COIL,9A2787-001	99-130044	4.80

79-51B222



THIS CONNECTOR IS ON THE HARNESS

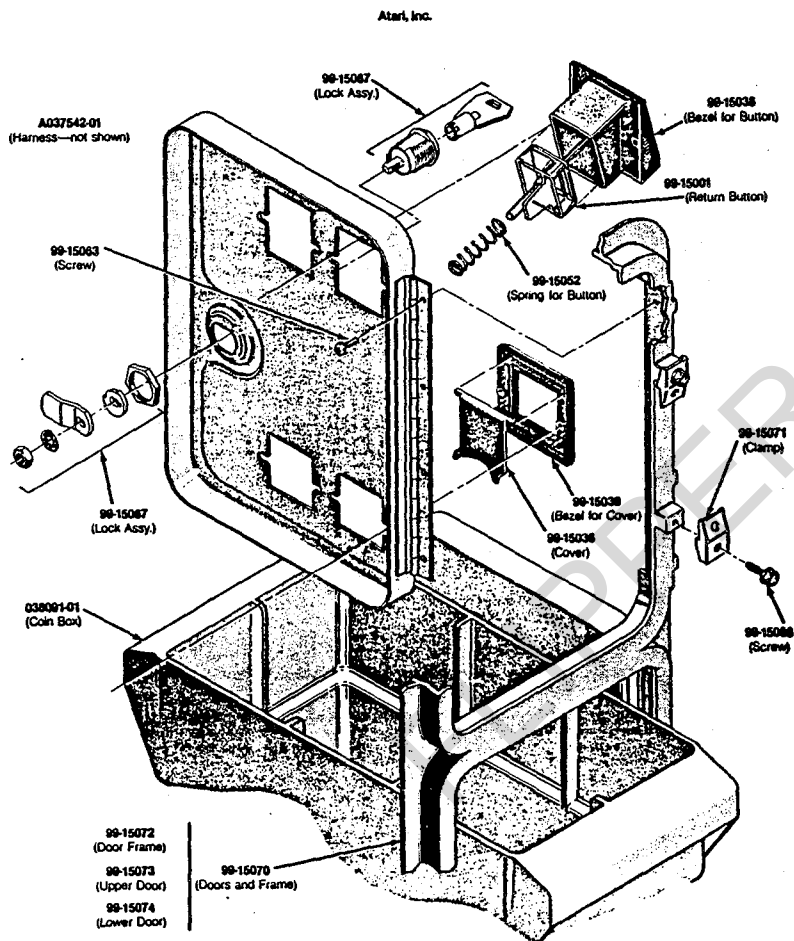
o Has Eyelets - solder lugs

USED ON

- SPRINT 1 & 2
- Canyon Bomber
- Sky Raider
- Subs
- Destroyer
- Ultra Tank
- Kiosk
- Tournament Table
- Avalanche
- Triple Hunt

ATARI, INC.
COIN-OPERATED GAMES DIVISION
CUSTOMER SERVICE

***** SERVICE PARTS PRICE LIST *****



- | | | |
|---|---|--|
| AG37818-01 — U.S. 25¢/25¢ Coin Door | AG37818-08 — German 1 DM/1 DM Coin Door | AG37818-15 — French 2 Ft/1 Ft Coin Door |
| AG37818-02 — U.S. 25¢/50¢ Coin Door | AG37818-09 — German 2 DM/1 DM Coin Door | AG37818-16 — Swedish 1 Kr/1 Kr Coin Door |
| AG37818-03 — Canadian 25¢/25¢ Coin Door | AG37818-10 — German 2 DM/5 DM Coin Door | AG37818-17 — Spanish 25 Ptas/25 Ptas Coin Door |
| AG37818-04 — British 10 P/10 P Coin Door | AG37818-11 — German 1 DM/5 DM Coin Door | AG37818-18 — Italian 100 L/100 L Coin Door |
| AG37818-05 — British 10 P/50 P Coin Door | AG37818-12 — 5 Ft/5 Ft Coin Door | AG37818-19 — Hong Kong \$1/\$1 Coin Door |
| AG37818-06 — British 20 P/50 P Coin Door | AG37818-13 — Swiss 1 Ft/1 Ft Coin Door | AG37818-20 — Japanese 100Y/100Y Coin Door |
| AG37818-07 — Australian 20¢/20¢ Coin Door | AG37818-14 — French 1 Ft/1 Ft Coin Door | |

British-Made Vertically Mounted Coin Door, continued

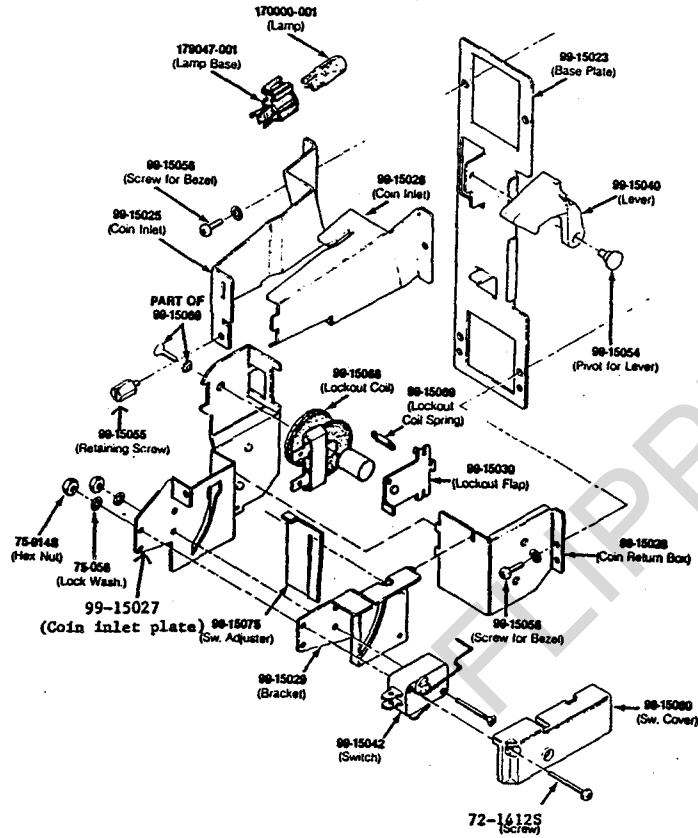
171034-001

PART DESCRIPTION	PART NUMBER	PRICE
COIN BOX	038091-01	12.92
COIN BOX & LID 1 SEP	A035943-02	29.04
COIN BOX & LID 2 SEP	A035943-03	32.02
COIN BOX & LID & HANDL	A035943-01	41.36
COIN BOX ENCLOSURE	038870-01	46.56
COIN BOX PLASTIC	035941-01	20.92
COIN COUNTER 10VOLT	99-10041	15.46
COIN COUNTER 6 VOLT	A002465-01	10.32
COIN DOOR O/U 25 ASY	171027-001	197.16
COIN DOOR O/U 25 ASY	171034-001	197.16
COIN DOOR WELDMENT	A003370-01	127.20
COIN DOOR WELDMENT	004320-01	94.80
COIN DRAWER	002185-01	22.08
COIN INLET SIDE(BEND	99-15026	3.32
COIN INLET,LAMPSIDE	99-15025	3.80
COIN INTERCONNECT	A039576-01	5.28
COIN MECH 2 METAL	171006-035	20.00
COIN RETURN LEVER	99-15040	1.48
COIN SWITCH ASSY	A007640-01	7.06
COINBOX ASY W/LOCK	A036775-01	47.28
COINBOX LID ASSY	A009548-01	41.42
CON/PANEL BLANK PPS	039373-01	39.60

See the following page for components

ATARI, INC.
 COIN-OPERATED GAMES DIVISION
 CUSTOMER SERVICE

 ***** SERVICE PARTS PRICE LIST *****



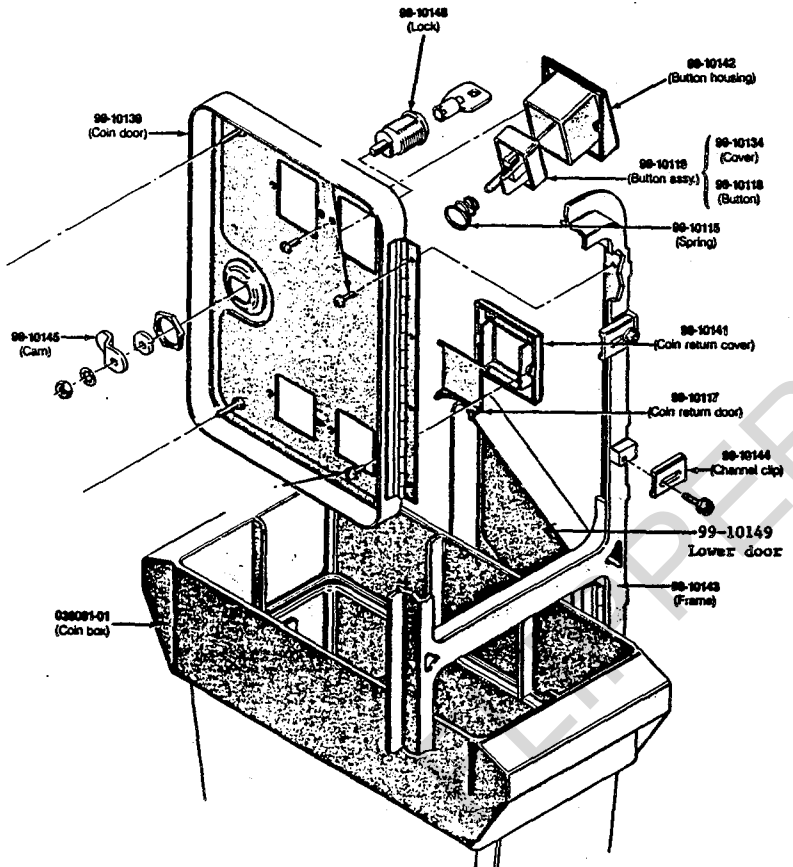
British-Made Vertically Mounted Coin Door

171034-001

PART DESCRIPTION	PART NUMBER	PRICE
CON/PNL ASSY CRYSTAL	A040106-01	305.18
CON/PNL ASSY STARWAR	A040374-01	501.36
CONDUIT MTL FLEX	78-2000109C	4.94
CONN,CARD EDGE	179041-036	4.12
CONN,CARD EDGE	179041-044	1.00
CONN,CARD EDGE	179073-024	3.56
CONN,CARD EDGE	179092-020	1.58
CONN,CARD EDGE	179153-160	6.10
CONN,CARD EDGE 30	179073-030	4.32
CONN,CARD EDGE 44	179073-044	6.00
CONN,CARD EDGE 44PIN	79-51B222	14.88
CONN,CARD EDGE, 24CKT	179041-024	.28
CONN,CARD EDGE, 30CKT	179042-030	3.94
CONN,CARD, EDGE, 6PIN	179092-024	.82
CONN,HEADER 6CKT	179014-006	1.12
CONN,HEADER 8CKT	99-130519	1.52
CONN,HEADER 8CKT	99-130533	1.52
CONN,HEADER, 12CKT	179014-012	.90
CONN,HEADER, 2CKT	179048-002	.62
CONN,PCB	039432-01	6.96
CONN,PLUG 12CKT	179058-012	.84
CONN,PLUG 12CKT	179088-012	.62

ATARI, INC.
 COIN-OPERATED GAMES DIVISION
 CUSTOMER SERVICE

 ***** SERVICE PARTS PRICE LIST *****



PART DESCRIPTION	PART NUMBER	PRICE
CONN, PLUG 15CKT	179058-015	1.88
CONN, PLUG 15CKT	179088-015	1.82
CONN, PLUG 24CKT	179034-024	1.38
CONN, PLUG 3CKT	179088-003	.32
CONN, PLUG 4CKT	179058-004	.28
CONN, PLUG 5CKT	179058-005	.96
CONN, PLUG 5CKT	99-130341	.96
CONN, PLUG 6CKT	179058-006	.76
CONN, PLUG 6CKT	179088-006	.78
CONN, PLUG 9CKT	179057-009	1.34
CONN, PLUG 9CKT	179058-009	.32
CONN, PLUG 9CKT	179088-009	.60
CONN, RCPT 12CKT	179059-012	1.72
CONN, RCPT 12CKT	179087-012	.48
CONN, RCPT 15CKT	179061-015	1.96
CONN, RCPT 15CKT	179087-015	1.54
CONN, RCPT 2CKT	179049-002	1.92
CONN, RCPT 2CKT	179087-002	.36
CONN, RCPT 24CKT	179016-024	.48
CONN, RCPT 3CKT	179061-003	.42
CONN, RCPT 3CKT	179087-003	.32
CONN, RCPT 4CKT	179029-004	.44

- | | | |
|---|---|--|
| A037819-01 — U.S. 25c/25c Coin Door | A037819-08 — German 1 DM/1 DM Coin Door | A037819-16 — French 2 Ft1 Fr Coin Door |
| A037819-02 — U.S. 50c/50c Coin Door | A037819-09 — German 2 DM/1 DM Coin Door | A037819-18 — Swedish 1 Kr/1 Kr Coin Door |
| A037819-03 — Canadian 25c/25c Coin Door | A037819-10 — German 2 DM/2 DM Coin Door | A037819-17 — Spanish 25 Ptas/25 Ptas Coin Door |
| A037819-04 — British 10 P/10 P Coin Door | A037819-11 — German 1 DM/2 DM Coin Door | A037819-19 — Italian 100 L/100 L Coin Door |
| A037819-05 — British 10 P/50 P Coin Door | A037819-12 — 1 Ft/1 Ft Coin Door | A037819-20 — Hong Kong 5/50 Coin Door |
| A037819-06 — British 20 P/50 P Coin Door | A037819-13 — Swiss 1 Ft/1 Ft Coin Door | A037819-21 — Japanese 100/100 Coin Door |
| A037819-07 — Australian 20c/20c Coin Door | A037819-14 — French 1 Ft/1 Ft Coin Door | |

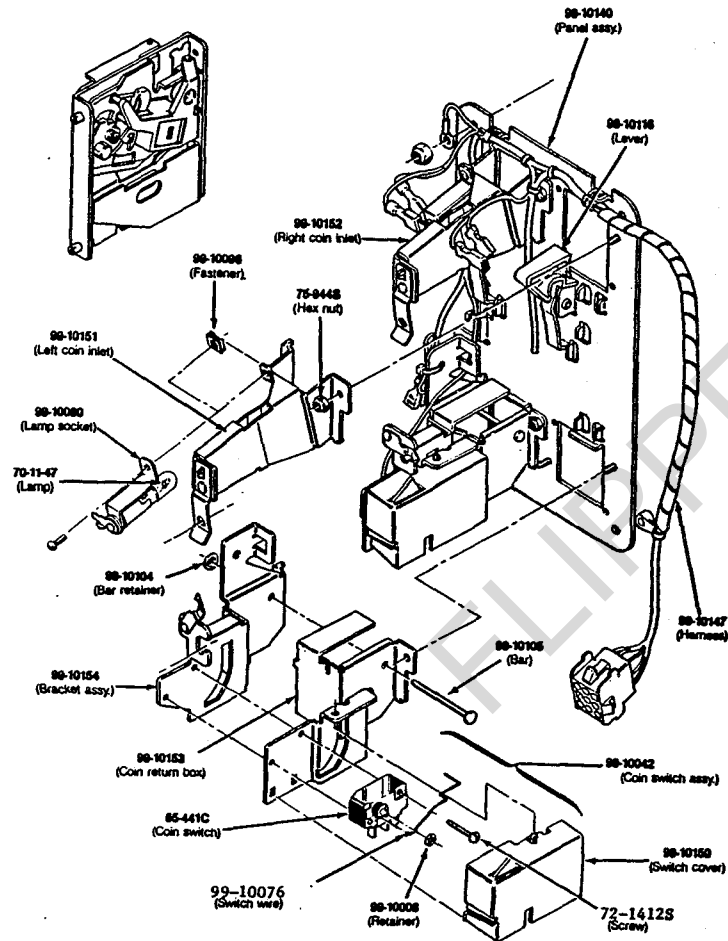
American-Made Vertically Mounted Coin Door, continued
 171027-001 A

See the following page for components

PRINT DATE: 07/29/83

ATARI, INC
 COIN-OPERATED GAMES DIVISION
 CUSTOMER SERVICE

 ***** SERVICE PARTS PRICE LIST *****

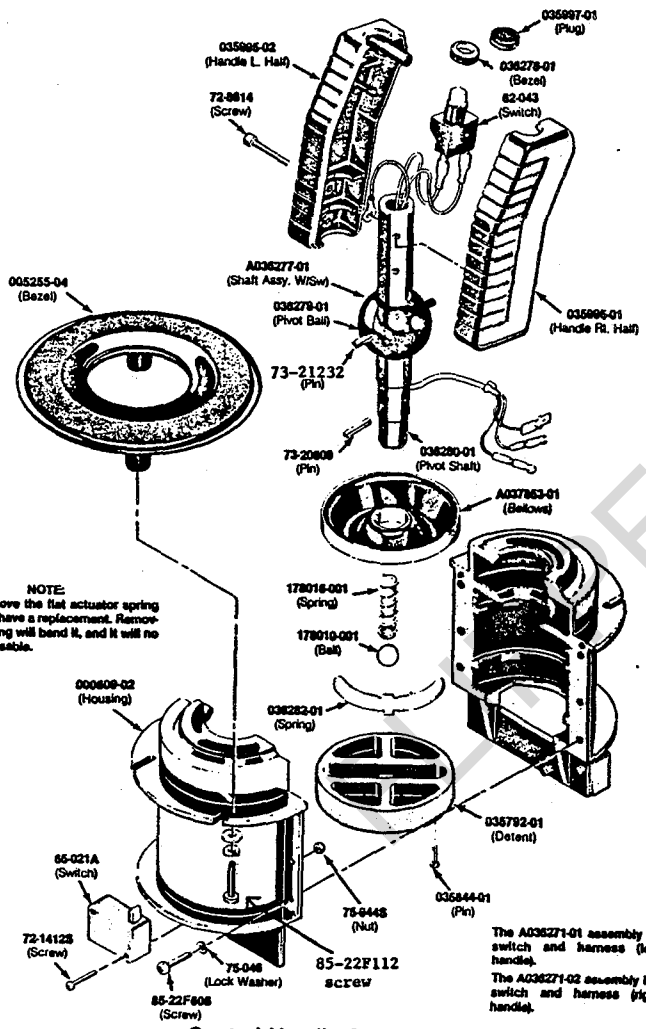


American-Made Vertically Mounted Coin Door
 171027-001 A

PART DESCRIPTION	PART NUMBER	PRICE
CONN, RCPT 4CKT	179061-004	1.84
CONN, RCPT 4CKT	179062-004	.64
CONN, RCPT 4CKT	179087-004	.44
CONN, RCPT 4CKT	79-58113	.44
CONN, RCPT 5CKT	179061-005	.28
CONN, RCPT 5CKT	179087-005	.60
CONN, RCPT 6CKT	179037-006	3.70
CONN, RCPT 6CKT	179059-006	1.44
CONN, RCPT 6CKT	179061-006	.24
CONN, RCPT 6CKT	179087-006	1.00
CONN, RCPT 7CKT	99-130422	1.80
CONN, RCPT 9CKT	179059-009	.82
CONN, RCPT 9CKT	179061-009	.36
CONN, RCPT 9CKT	179087-009	.70
CONN, RCPT 9CKT	79-58117	.70
CONN, SCORE PANEL	004770-01	5.52
CONN, SOCKET, CRT	99-130346	10.80
CONN, 12 PIN, .156CTR	179010-001	.36
CONN, 15CKT ASSY	99-130561	28.30
CONN, 44PIN RFI PCB	79-517222	5.24
CONNECTOR, HEADER, 2CK	179069-002	.72
CONNECTOR, RCPT 12CKT	179061-012	.30

ATARI, INC.
 COIN-OPERATED GAMES DIVISION
 CUSTOMER SERVICE

 ***** SERVICE PARTS PRICE LIST *****



Control Handle Assembly
 A036271-01 and -02 C

PART DESCRIPTION	PART NUMBER	PRICE
CONTROL CIRCUIT ASSY	99-160463	21.64
CONTROL HARNESS	A039989-01	39.60
CONTROL HDL LEFT DMY	A036271-01	82.08
CONTROL HDL RT FIRE	A036271-02	98.98
CONTROL PANEL BLANK	036494-01	58.00
CONTROL PANEL BLANK	038173-01	45.60
CONTROL PANEL BLANK	038267-01	45.84
CONTROL PANEL BLANK	038324-01	50.84
CONTROL PANEL BLANK	038376-01	43.20
CONTROL PANEL BLANK	039143-01	46.60
CONTROL PANEL BLANK	039343-01	44.64
CONTROL PANEL BLANK	039513-01	46.80
CONTROL PANEL BLANK	039744-01	46.08
CONTROL PANEL BLANK	039826-01	39.60
CONTROL PANEL BLANK	040113-01	41.28
CONTROL PANEL BLANK	040372-01	40.80
CONTROL PANEL BLANK	040521-01	41.24
CONTROL, 300 OHM, CLR	99-130530	2.48
CONVER RING ASY CRT	171010-001	2.36
CORD POWER 90"	150000-001	12.20
COUPLER, OPTO-ELECTRO	139002-001	8.88
COVER ACETATE DIGITA	007844-01	2.36

PRINT DATE: 07/29/83

ATARI, INC.
 COIN-OPERATED GAMES DIVISION
 CUSTOMER SERVICE

 ***** SERVICE PARTS PRICE LIST *****

PART DESCRIPTION	PART NUMBER	PRICE
* COVER COIN BOX	035845-01	15.00
COVER COIN RETURN BU	99-10134	3.74
COVER FUSE BLOCK	007882-02	3.98
COVER HV 34X0685	99-130605	11.88
COVER LEFT HANDLE	040093-02	18.24
COVER RIGHT HANDLE	040093-01	18.24
COVER SWITCH	99-10082	3.88
COVER SWITCH	99-10150	2.16
COVER SWITCH	99-15060	3.46
COVER TAPPED	000599-02	2.16
CRT SOCKET	99-160472	6.14
CRT 13" COLOR ELECTRO	99-120464	316.00
CRT 14"*** SANY/LG/SM	99-160006	256.28
CRT 14" CLR MAT GHB22	99-150003	326.00
CRT 15" B/W WG	92-052	465.00
CRT 15" B/W XY E/H	99-120396	218.00
CRT 19" AMPLIPHN CLR	A201001-01	498.00
CRT 19" B&W EH & WG	99-010179	254.00
CRT 19" ELECTROHOME	99-120215	416.00
CRT 19" XY CLR WG	99-130472	376.00
CRT 19" CLR AMPL RSTR	A201092-01	382.48
CRT 19" CLR RCA LTP22	134002-002	264.72

* See page 185 for 035845-01 Coin Box Cover

PRINT DATE: 07/29/83

ATARI, INC.
 COIN-OPERATED GAMES DIVISION
 CUSTOMER SERVICE

 ***** SERVICE PARTS PRICE LIST *****

PART DESCRIPTION	PART NUMBER	PRICE
CRT 19"CLR RCA NCP22	134002-001	264.72
CRT 19"CLR XY AMPLIF	A201106-01	326.00
CRT 19"51OTFB22AW,MT	99-150584	216.00
CRT 19"51OUTB22 SANY	99-160470	683.42
CRT 23"BW,MOT,TEC,WG	99-010180	300.00
CRYSTAL 10.00 MHZ	90-123	3.46
CRYSTAL 12.096MHZ	144000-001	3.22
CRYSTAL 14.31818 MHZ	90-101	4.80
CRYSTAL 18.432MHZ	144000-002	3.40
CRYSTAL 20.00 MHZ	144000-003	4.18
CRYSTAL 24.576MHZ,3-	144004-003	4.90
CUSTOM CHIP 08	137186-001	31.72
DASH HOUSING & DECAL	A039420-01	89.28
DASHBD ASSY NITEDRIV	A007497-01	253.54
DECAL BACK XEVI0US	039856-04	44.24
DECAL C/PNL ARABIAN	040274-04	27.52
DECAL C/PNL AST UP	036894-01	21.70
DECAL C/PNL ASTDX CB	037239-01	45.80
DECAL C/PNL BLKWIDOW	039976-04	39.28
DECAL C/PNL GENT CAB	037520-01	34.66
DECAL C/PNL CENTIPED	037407-01	46.90
DECAL C/PNL CNTPD CK	037762-01	37.00

ATARI, INC.
COIN-OPERATED GAMES DIVISION
CUSTOMER SERVICE

***** SERVICE PARTS PRICE LIST *****

PART DESCRIPTION	PART NUMBER	PRICE
DECAL C/PNL DAST CKT	036783-01	11.84
DECAL C/PNL DDUG CAB	038325-04	42.00
DECAL C/PNL DIGD CKT	038367-04	16.56
DECAL C/PNL DIGDUG U	038268-04	28.70
DECAL C/PNL FF CKT	040331-03	20.44
DECAL C/PNL FOODFGHT	039749-04	35.98
DECAL C/PNL GRAVITAR	038174-04	32.56
DECAL C/PNL KANGRO U	038418-04	33.60
DECAL C/PNL LIBERATR	038506-04	38.16
DECAL C/PNL MLPD CKT	040066-04	43.76
DECAL C/PNL MLPD CKT	040331-04	20.44
DECAL C/PNL MLPD UP	039315-04	25.44
DECAL C/PNL POLE SD	039153-04	32.48
DECAL C/PNL POLE UP	039409-04	24.36
DECAL C/PNL QUANTUM	039511-04	44.46
DECAL C/PNL SDUEL CK	038149-04	23.32
DECAL C/PNL SP DUEL	037300-04	32.00
DECAL C/PNL STARWARS	040380-03	21.84
DECAL C/PNL STWAR SD	040520-03	21.64
DECAL C/PNL TEMP CAB	037975-01	27.66
DECAL C/PNL TEMP CKT	037908-01	17.36
DECAL C/PNL TMPST	037738-01	52.80

PRINT DATE: 07/29/83

ATARI INC.
COIN-OPERATED GAMES DIVISION
CUSTOMER SERVICE

***** SERVICE PARTS PRICE LIST *****

PART DESCRIPTION	PART NUMBER	PRICE
DECAL C/PNL WARLORDS	037222-01	30.66
DECAL C/PNL XEVIOUS	039827-04	33.96
DECAL CANOPY SW SD	040527-03	56.44
DECAL CONT/PNL CRYST	040139-03	19.44
DECAL DASHBRD PDLPOS	039419-04	9.36
DECAL FLIGHT/CON STW	040382-07	6.62
DECAL HOUSING L STWR	040382-04	9.46
DECAL HOUSING M STWR	040382-05	9.46
DECAL HOUSING R STWR	040382-06	9.46
DECAL INST BATTLEZON	035828-01	2.92
DECAL LOWER XEVIOUS	039854-04	26.26
DECAL MARQUE ARABIAN	040272-02	10.84
DECAL MARQUE MPD UP	039313-04	26.00
DECAL MARQUE STARWAR	040379-03	19.88
DECAL MARQUE TMPST	037710-01	36.00
DECAL MARQUE XEVIOUS	039855-04	46.90
DECAL MARQUE++CRYSTL	040140-03	29.52
DECAL SIDE CENTIPEDE	037518-01	90.00
DECAL SIDE DIDUG CAB	038331-01	44.40
DECAL SIDE L BLKWID	039978-01	110.16
DECAL SIDE R RDBARON	037573-02	118.70
DECAL SIDE TEMP CAB	037995-01	72.72

PRINT DATE: 07/29/83

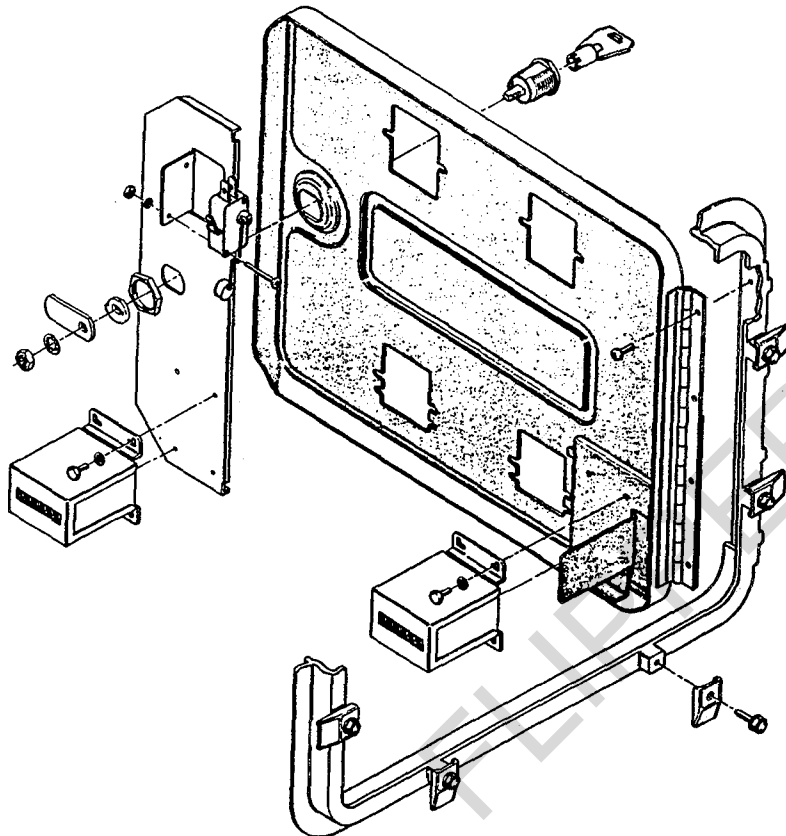
ATARI INC
COIN-OPERATED GAMES DIVISION
CUSTOMER SERVICE

***** SERVICE PARTS PRICE LIST *****

PART DESCRIPTION	PART NUMBER	PRICE
DECAL SPEAKER MPD	039314-04	29.38
DECAL SPKR GRILLE	040141-03	1.18
DECAL 25¢	99-10070	1.10
DECAL 50¢	99-10108	1.10
DIODE	99-150573	1.40
DIODE	99-150575	1.88
DIODE	99-160577	.82
DIODE DISPLAY ARRAY	38-03130935	21.60
DIODE LED RED	38-MV5053	.44
DIODE LIGHT EMITTING	38-ME7124	2.92
DIODE MR501	31-MR501	.58
DIODE MR750	31-MR750	1.08
DIODE POSISTOR	99-150582	5.38
DIODE RECT. 50V. 2.5A	31-A14F	.80
DIODE SILICON	99-150574	2.26
DIODE SILICON	99-150577	4.80
DIODE SILICON	99-150583	3.70
DIODE SILICON	99-150729	2.54
DIODE S5A2	99-130548	1.94
DIODE TVSRM25	99-150579	3.70
DIODE ZENER	99-120422	.80
DIODE ZENER	99-150572	2.40

ATARI, INC.
 COIN-OPERATED GAMES DIVISION
 CUSTOMER SERVICE

 ***** SERVICE PARTS PRICE LIST *****



All parts listed below that start with 171000- should now be 171001-

- | | | |
|---|--|--|
| 171001-001 — British 10 Pin P Coin Door | 171000-008 — German 2 DM/1 DM Coin Door | 171000-011 — Hong Kong \$1/\$1 Coin Door |
| 171000-002 — British 10 Pin P Coin Door | 171000-007 — Belgium 2 F/1 F Coin Door | 171000-012 — Canadian 25¢/25¢ Coin Door |
| 171000-003 — British 20 Pin P Coin Door | 171000-006 — French 1 F/1 F Coin Door | 171000-013 — U.S. 25¢/25¢ Coin Door |
| 171000-004 — German 1 DM/1 DM Coin Door | 171000-005 — French 2 F/1 F Coin Door | 171000-014 — Spanish 25 Ptas/25 Ptas Coin Door |
| 171000-005 — German 2 DM/1 DM Coin Door | 171000-010 — Swedish 1 Kr/1 Kr Coin Door | 171000-015 — Swiss 1 F/1 F Coin Door |

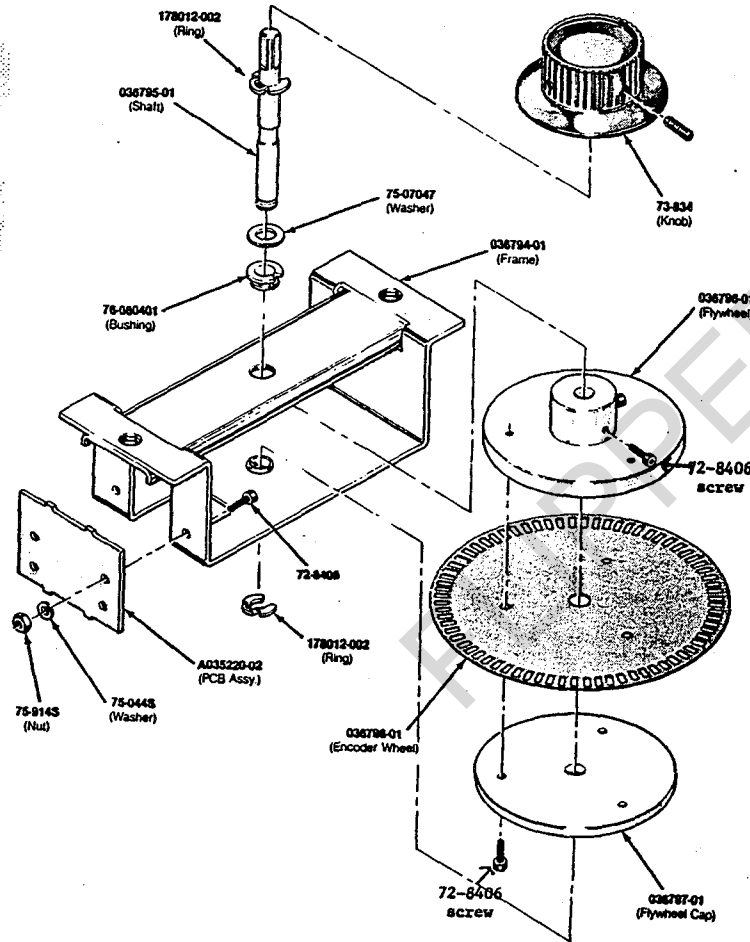
British-Made Coin Door
 171001-013

PART DESCRIPTION	PART NUMBER	PRICE
DIODE ZENER, 62V, .5W	99-130451	.96
DIODE 18V, 600MW	32-P6KE18	2.92
DIODE 2SA826	99-120295	1.06
DIODE 250V	99-130410	2.16
DIODE 30V, 600MW	32-P6KE30	2.92
DIODE 48-10813A02	99-010118	2.00
DIODE 50V, 1A	31-1N4001	.44
DIODE 66X0068-002	99-130448	3.74
DOOR COIN, 25¢/25¢	171001-013	224.00
DOOR COIN, 25¢/25¢	71-102201	273.00
DOOR DUAL ENTRY, BLK	99-15061	33.60
DOOR FRAME	99-10051	20.30
DOOR LOWER OV/UNDR	99-10149	50.16
DOOR LOWER OVER/UNDR	99-15074	33.60
DOOR PANEL ASSY.	A038497-01	25.30
DOOR UPPER, OVER/UNDR	99-15073	33.60
DOOR 2 MECH FRONT	99-10009	87.12
DOOR 3 MECH, SUB-ASSY	99-10010	94.04
ELECT KIT ASY BL WID	A040039-01	207.54
EMI CAGE & GUIDE ASY	A037701-03	63.36
EMI CAGE & GUIDES	A037701-01	57.32
EMI CAGE & GUIDES**	A037701-02	57.32

See page 112 for the components

ATARI, INC.
 COIN-OPERATED GAMES DIVISION
 CUSTOMER SERVICE

 ***** SERVICE PARTS PRICE LIST *****



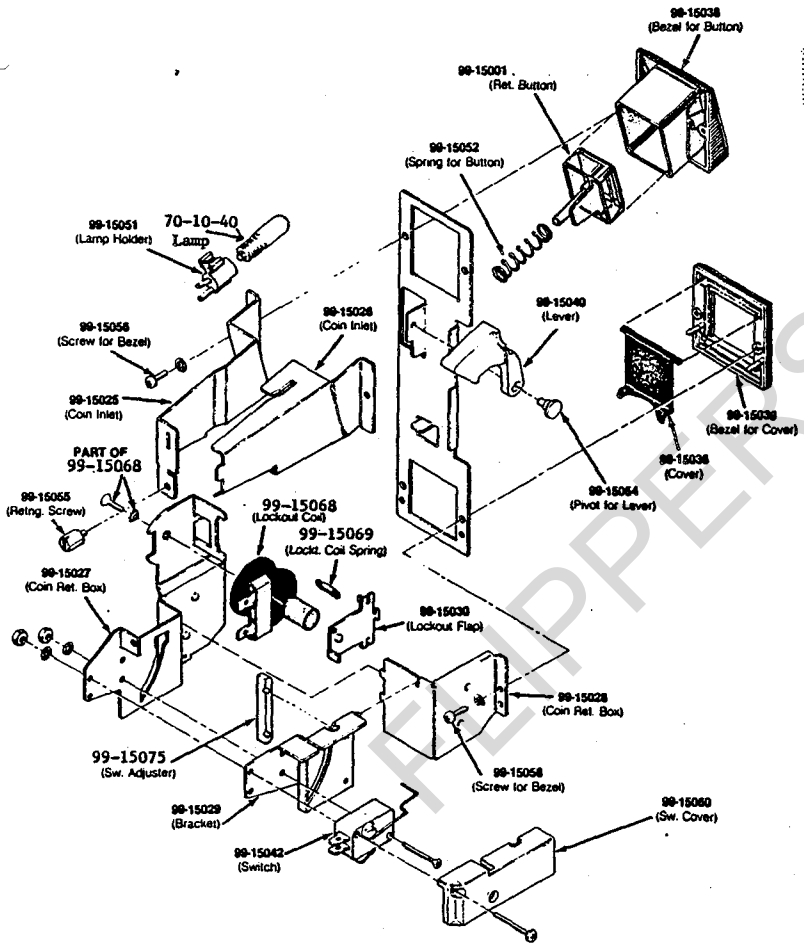
Encoder Wheel Assembly
 A037781-01 A

PART DESCRIPTION PART NUMBER PRICE

ENCODER WHEEL ASSY	A037781-01	83.32
ENCODER WHEEL, ETCHED	035938-01	4.70
END CAP 1 X 1/2"	78-3205	1.54
EPROM 2532 BLACK WID	136017-102	50.00
EPROM 2532 BLACK WID	136017-103	50.00
EPROM 2532 BLACK WID	136017-104	50.00
EPROM 2532 BLACK WID	136017-105	50.00
EPROM 2532 BLACK WID	136017-106	50.00
EPROM 2532 BLACK WID	136017-107	50.00
EPROM 2532 BLACK WID	136017-108	50.00
EPROM 2532 BLACK WID	136017-109	50.00
EPROM 2532 BLACK WID	136017-110	50.00
EPROM 2532 DIG DUG	136007-117	50.00
EPROM 2532 DIG DUG	136007-118	50.00
EPROM 2532 GRAVITAR	136010-101	50.00
EPROM 2532 GRAVITAR	136010-102	50.00
EPROM 2532 GRAVITAR	136010-103	50.00
EPROM 2532 GRAVITAR	136010-104	50.00
EPROM 2532 GRAVITAR	136010-105	50.00
EPROM 2532 GRAVITAR	136010-106	50.00
EPROM 2532 GRAVITAR	136010-107	50.00

ATARI, INC.
 COIN-OPERATED GAMES DIVISION
 CUSTOMER SERVICE

 ***** SERVICE PARTS PRICE LIST *****



British-Made Coin Door
 171001-013

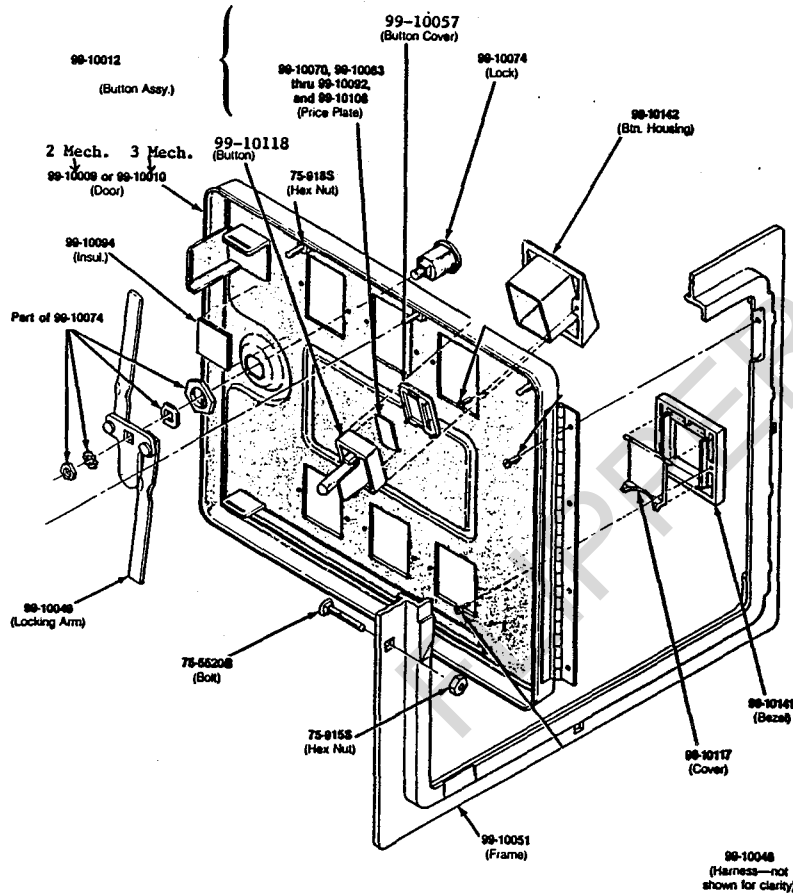
PART DESCRIPTION PART NUMBER PRICE

EPROM 2532 GRAVITAR	136010-108	50.00
EPROM 2532 GRAVITAR	136010-109	50.00
EPROM 2532 GRAVITAR	136010-201	50.00
EPROM 2532 GRAVITAR	136010-202	50.00
EPROM 2532 GRAVITAR	136010-203	50.00
EPROM 2532 GRAVITAR	136010-204	50.00
EPROM 2532 GRAVITAR	136010-205	50.00
EPROM 2532 GRAVITAR	136010-206	50.00
EPROM 2532 GRAVITAR	136010-207	50.00
EPROM 2532 GRAVITAR	136010-208	50.00
EPROM 2532 GRAVITAR	136010-209	50.00
EPROM 2532 GRAVITAR	136010-210	50.00
EPROM 2532 GRAVITAR	136010-306	50.00
EPROM 2532 GRAVITAR	136010-309	50.00
EPROM 2532 LIBERATOR	136012-101	50.00
EPROM 2532 LIBERATOR	136012-102	50.00
EPROM 2532 LIBERATOR	136012-103	50.00
EPROM 2532 LIBERATOR	136012-104	50.00
EPROM 2532 LIBERATOR	136012-105	50.00
EPROM 2532 LIBERATOR	136012-106	50.00
EPROM 2532 LIBERATOR	136012-107	50.00
EPROM 2532 LIBERATOR	136012-108	50.00

PRINT DATE: 07/29/83

ATARI, INC.
COIN-OPERATED GAMES DIVISION
CUSTOMER SERVICE

***** SERVICE PARTS PRICE LIST *****



71-102201 — U.S. 25¢/25¢ Coin Door
71-102202 — U.S. 25¢/25¢ Coin Door
71-102203 — U.S. 25¢/25¢ Coin Door
71-102204 — German 2 DM/1 DM Coin Door
71-102205 — German 12/6 DM Coin Door

71-102206 — German 1 DM/6 DM Coin Door
71-102207 — Belgian 5 Fr/5 Fr Coin Door
71-102208 — Swiss 1 Fr/1 Fr Coin Door
71-102209 — Japanese 100Y/100Y Coin Door
71-102210 — British 10 P/10 P Coin Door

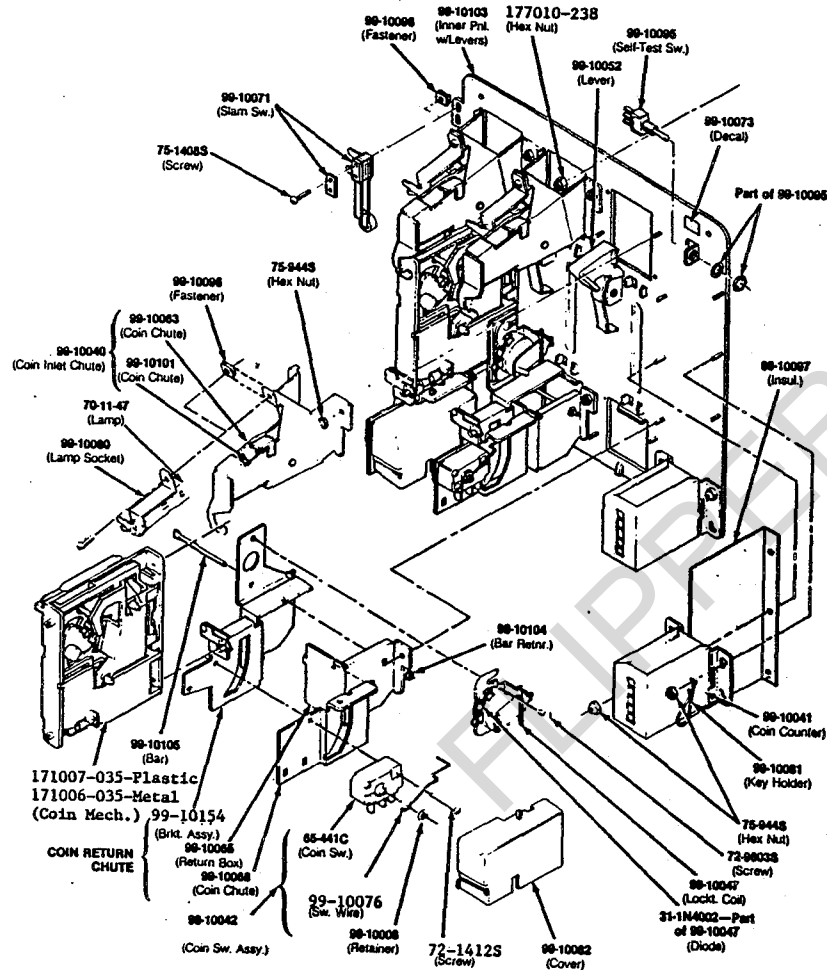
71-102211 — Australian 20¢/20¢ Coin Door
71-102212 — British 100 L/100 L Coin Door
71-102213 — U.S. 50¢/50¢ Coin Door
71-102214 — U.S. 50¢/50¢ Coin Door
71-102215 — U.S. 50¢/50¢ Coin Door

American-Made Coin Door
71-102201

PART DESCRIPTION	PART NUMBER	PRICE
EPROM 2532 LIBERATOR	136012-109	50.00
EPROM 2532 LIBERATOR	136012-110	50.00
EPROM 2532 LIBERATOR	136012-200	50.00
EPROM 2532 LIBERATOR	136012-201	50.00
EPROM 2532 LIBERATOR	136012-202	50.00
EPROM 2532 LIBERATOR	136012-203	50.00
EPROM 2532 LIBERATOR	136012-204	50.00
EPROM 2532 LIBERATOR	136012-205	50.00
EPROM 2532 LIBERATOR	136012-206	50.00
EPROM 2532 MILLIPEDE	136013-101	50.00
EPROM 2532 MILLIPEDE	136013-102	50.00
EPROM 2532 MILLIPEDE	136013-103	50.00
EPROM 2532 MILLIPEDE	136013-104	50.00
EPROM 2532 SP DUEL	136006-102	50.00
EPROM 2532 SP DUEL	136006-103	50.00
EPROM 2532 SP DUEL	136006-104	50.00
EPROM 2532 SP DUEL	136006-105	50.00
EPROM 2532 SP DUEL	136006-107	50.00
EPROM 2532 SP DUEL	136006-201	36.00
EPROM 2532 TEMPEST	136002-134	50.00
EPROM 2532 TEMPEST	136002-136	50.00
EPROM 2532 TEMPEST	136002-138	50.00

ATARI, INC.
COIN-OPERATED GAMES DIVISION
CUSTOMER SERVICE

***** SERVICE PARTS PRICE LIST *****



American-Made Coin Door

71-102201

PART DESCRIPTION PART NUMBER PRICE

EPROM 2532 TEMPEST	136002-235	50.00
EPROM 2532 TEMPEST	136002-237	50.00
EPROM 2532 32K	136007-115	50.00
EPROM 2532 32K	136007-116	50.00
EPROM 2532 32K	136007-119	50.00
EPROM 2708 MISS COMM	035808-02E	36.00
EPROM 2708 MISS COMM	035809-02E	36.00
EPROM 2708 MISS COMM	035811-02E	36.00
EPROM 2708 MISS COMM	035812-02E	36.00
EPROM 2708 MISS COMM	035813-02E	36.00
EPROM 2708 MISS COMM	035816-02E	36.00
EPROM 2708 MISS COMM	035817-02E	36.00
EPROM 2708 MISS COMM	035818-02E	36.00
EPROM 2708 MISS COMM	035819-02E	36.00
EPROM 2716	036411-01E	36.00
EPROM 2716	036421-01E	36.00
EPROM 2716 AST CRT	035127-02E	36.00
EPROM 2716 ASTEROID	035145-02E	36.00
EPROM 2716 BATTLEZNE	036410-01E	36.00
EPROM 2716 CENTIPEDE	136001-207	36.00
EPROM 2716 CENTIPEDE	136001-208	36.00
EPROM 2716 CENTIPEDE	136001-209	36.00

PRINT DATE: 07/29/83

ATARI, INC.
 COIN-OPERATED GAMES DIVISION
 CUSTOMER SERVICE

 ***** SERVICE PARTS PRICE LIST *****

PART DESCRIPTION	PART NUMBER	PRICE
EPROM 2716 CENTIPEDE	136001-210	36.00
EPROM 2716 CENTIPEDE	136001-211	36.00
EPROM 2716 CENTIPEDE	136001-212	36.00
EPROM 2716 CENTIPEDE	136001-307	36.00
EPROM 2716 CENTIPEDE	136001-308	36.00
EPROM 2716 CENTIPEDE	136001-309	36.00
EPROM 2716 CENTIPEDE	136001-310	36.00
EPROM 2716 DAST SLOW	036430-02E	36.00
EPROM 2716 DAST SLOW	036431-02E	36.00
EPROM 2716 DAST SLOW	036432-02E	36.00
EPROM 2716 DAST SLOW	036433-03E	36.00
EPROM 2716 DAST SLOW	036800-02E	36.00
EPROM 2716 DIGDUG	136007-108	36.00
EPROM 2716 DLXASTER	036430-01E	36.00
EPROM 2716 GRAVITAR	136010-110	36.00
EPROM 2716 KANGAROO	136008-112	36.00
EPROM 2716 MILLIPEDE	136013-107	36.00
EPROM 2716 SP DUEL	136006-106	36.00
EPROM 2716 TEMPEST	136002-113	36.00
EPROM 2716 TEMPEST	136002-114	36.00
EPROM 2716 TEMPEST	136002-115	36.00
EPROM 2716 TEMPEST	136002-116	36.00

PRINT DATE: 07/29/83

ATARI, INC.
COIN-OPERATED GAMES DIVISION
CUSTOMER SERVICE

***** SERVICE PARTS PRICE LIST *****

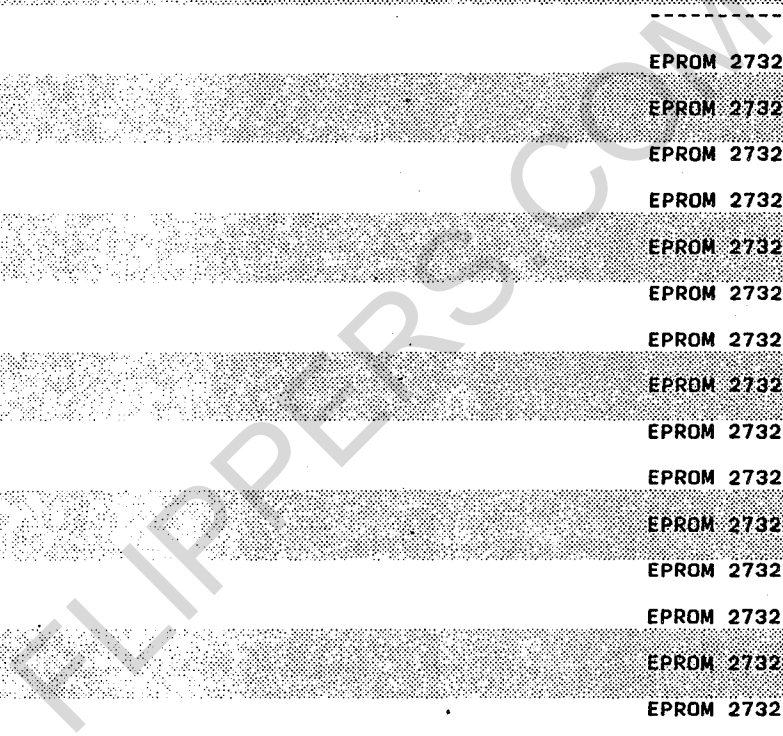
PART DESCRIPTION	PART NUMBER	PRICE
EPROM 2716 TEMPEST	136002-118	36.00
EPROM 2716 TEMPEST	136002-119	36.00
EPROM 2716 TEMPEST	136002-120	36.00
EPROM 2716 TEMPEST	136002-121	36.00
EPROM 2716 TEMPEST	136002-124	36.00
EPROM 2716 TEMPEST	136002-222	36.00
EPROM 2716 TMPFIX J1	136002-217	36.00
EPRDM 2732 DIGDUG	136007-101	50.00
EPROM 2732 DIGDUG	136007-102	50.00
EPROM 2732 DIGDUG	136007-103	50.00
EPRDM 2732 DIGDUG	136007-104	50.00
EPROM 2732 DIGDUG	136007-105	50.00
EPROM 2732 DIGDUG	136007-106	50.00
EPRDM 2732 DIGDUG	136007-107	50.00
EPROM 2732 DIGDUG	136007-121	50.00
EPROM 2732 DIGDUG	136007-122	50.00
EPRDM 2732 DIGDUG	136007-123	50.00
EPROM 2732 DIGDUG	136007-124	50.00
EPROM 2732 DIGDUG	136007-125	50.00
EPRDM 2732 DIGDUG	136007-201	50.00
EPROM 2732 DIGDUG	136007-202	50.00
EPROM 2732 DIGDUG	136007-203	50.00

PRINT DATE: 07/29/83

ATARI, INC.
COIN-OPERATED GAMES DIVISION
CUSTOMER SERVICE

***** SERVICE PARTS PRICE LIST *****

PART DESCRIPTION	PART NUMBER	PRICE
EPROM 2732 DIGDUG	136007-204	50.00
EPROM 2732 DIGDUG	136007-205	50.00
EPROM 2732 DIGDUG	136007-206	50.00
EPROM 2732 KANGAROO	136008-101	50.00
EPROM 2732 KANGAROO	136008-102	50.00
EPROM 2732 KANGAROO	136008-103	50.00
EPROM 2732 KANGAROO	136008-104	50.00
EPROM 2732 KANGAROO	136008-105	50.00
EPROM 2732 KANGAROO	136008-106	50.00
EPROM 2732 KANGAROO	136008-107	50.00
EPROM 2732 KANGAROO	136008-108	50.00
EPROM 2732 KANGAROO	136008-109	50.00
EPROM 2732 KANGAROO	136008-110	50.00
EPROM 2732 KANGAROO	136008-111	50.00
EPROM 2732 POLE POS	136014-116	50.00
EPROM 2732 POLE POS	136014-132	50.00
EPROM 2732 POLE POS	136014-133	50.00
EPROM 2732 POLE POS	136014-134	50.00
EPROM 2732 POLE POS	136014-231	50.00
EPROM 2732 STARWARS	136021-105	50.00
EPROM 2732 XEVIUS	136018-101	50.00
EPROM 2732 XEVIUS	136018-103	50.00



PRINT DATE: 07/29/83

ATARI, INC.
 COIN-OPERATED GAMES DIVISION
 CUSTOMER SERVICE

 ***** SERVICE PARTS PRICE LIST *****

PART DESCRIPTION	PART NUMBER	PRICE
EPROM 2732 XEVIDOUS	136018-104	50.00
EPROM 2732 XEVIDOUS	136018-105	50.00
EPROM 2732 XEVIDOUS	136018-106	50.00
EPROM 2732 XEVIDOUS	136018-108	50.00
EPROM 2732 XEVIDOUS	136018-127	50.00
EPROM 2732 32K	136007-114	50.00
EPROM 2763 POLE POS	136014-119	70.00
EPROM 2764 ARABIAN	99-200005	50.00
EPROM 2764 ARABIAN	99-200016	50.00
EPROM 2764 ARABIAN	99-200017	50.00
EPROM 2764 ARABIAN	99-200018	50.00
EPROM 2764 ARABIAN	99-200019	50.00
EPROM 2764 ARABIAN	99-200020	50.00
EPROM 2764 ARABIAN	99-200021	50.00
EPROM 2764 ARABIAN	99-200022	50.00
EPROM 2764 CRYSTAL	136022-101	50.00
EPROM 2764 CRYSTAL	136022-102	50.00
EPROM 2764 CRYSTAL	136022-103	50.00
EPROM 2764 CRYSTAL	136022-104	50.00
EPROM 2764 CRYSTAL	136022-105	50.00
EPROM 2764 CRYSTAL	136022-106	50.00
EPROM 2764 CRYSTAL	136022-107	50.00

PRINT DATE: 07/29/83

ATARI, INC.
COIN-OPERATED GAMES DIVISION
CUSTOMER SERVICE

***** SERVICE PARTS PRICE LIST *****

PART DESCRIPTION	PART NUMBER	PRICE
EPROM 2764 FOODFIGHT	136020-101	70.00
EPROM 2764 FOODFIGHT	136020-102	70.00
EPROM 2764 FOODFIGHT	136020-103	70.00
EPROM 2764 FOODFIGHT	136020-104	70.00
EPROM 2764 FOODFIGHT	136020-105	70.00
EPROM 2764 FOODFIGHT	136020-106	70.00
EPROM 2764 FOODFIGHT	136020-107	70.00
EPROM 2764 FOODFIGHT	136020-108	70.00
EPROM 2764 FOODFIGHT	136020-111	70.00
EPROM 2764 FOODFIGHT	136020-201	70.00
EPROM 2764 FOODFIGHT	136020-203	70.00
EPROM 2764 FOODFIGHT	136020-204	70.00
EPROM 2764 FOODFIGHT	136020-205	70.00
EPROM 2764 FOODFIGHT	136020-206	70.00
EPROM 2764 FOODFIGHT	136020-207	70.00
EPROM 2764 FOODFIGHT	136020-208	70.00
EPROM 2764 FOODFIGHT	136020-301	70.00
EPROM 2764 FOODFIGHT	136020-302	70.00
EPROM 2764 FOODFIGHT	136020-303	70.00
EPROM 2764 FOODFIGHT	136020-305	70.00
EPROM 2764 FOODFIGHT	136020-306	70.00
EPROM 2764 FOODFIGHT	136020-307	70.00

PRINT DATE: 07/29/83

ATARI INC.
 COIN-OPERATED GAMES DIVISION
 CUSTOMER SERVICE

 ***** SERVICE PARTS PRICE LIST *****

PART DESCRIPTION	PART NUMBER	PRICE
EPRM 2764 FOODFT CK	136020-113	70.00
EPRM 2764 FOODFT CK	136020-114	70.00
EPRM 2764 FOODFT CK	136020-115	70.00
EPRM 2764 FOODFT CK	136020-116	70.00
EPRM 2764 FOODFT CK	136020-117	70.00
EPRM 2764 FOODFT CK	136020-118	70.00
EPRM 2764 FOODFT CK	136020-119	70.00
EPRM 2764 FOODFT CK	136020-120	70.00
EPRM 2764 POLE POS	136014-101	70.00
EPRM 2764 POLE POS	136014-102	70.00
EPRM 2764 POLE POS	136014-105	70.00
EPRM 2764 POLE POS	136014-106	70.00
EPRM 2764 POLE POS	136014-110	70.00
EPRM 2764 POLE POS	136014-111	70.00
EPRM 2764 POLE POS	136014-120	70.00
EPRM 2764 POLE POS	136014-121	70.00
EPRM 2764 POLE POS	136014-122	70.00
EPRM 2764 POLE POS	136014-123	70.00
EPRM 2764 POLE POS	136014-124	70.00
EPRM 2764 POLE POS	136014-125	70.00
EPRM 2764 POLE POS	136014-126	70.00
EPRM 2764 POLE POS	136014-127	70.00

PRINT DATE: 07/29/83

ATARI, INC.
 COIN-OPERATED GAMES DIVISION
 CUSTOMER SERVICE

 ***** SERVICE PARTS PRICE LIST *****

PART DESCRIPTION	PART NUMBER	PRICE
EPROM 2764 POLE POS	136014-128	70.00
EPROM 2764 POLE POS	136014-203	70.00
EPROM 2764 POLE POS	136014-204	70.00
EPROM 2764 QUANTUM	136016-101	70.00
EPROM 2764 QUANTUM	136016-102	70.00
EPROM 2764 QUANTUM	136016-103	70.00
EPROM 2764 QUANTUM	136016-104	70.00
EPROM 2764 QUANTUM	136016-105	70.00
EPROM 2764 QUANTUM	136016-106	70.00
EPROM 2764 QUANTUM	136016-107	70.00
EPROM 2764 QUANTUM	136016-108	70.00
EPROM 2764 QUANTUM	136016-109	70.00
EPROM 2764 QUANTUM	136016-110	70.00
EPROM 2764 QUANTUM	136016-201	70.00
EPROM 2764 QUANTUM	136016-203	70.00
EPROM 2764 QUANTUM	136016-206	70.00
EPROM 2764 QUANTUM	136016-208	70.00
EPROM 2764 STARWARS	136021-102	50.00
EPROM 2764 STARWARS	136021-103	50.00
EPROM 2764 STARWARS	136021-104	50.00
EPROM 2764 STARWARS	136021-107	50.00
EPROM 2764 STARWARS	136021-206	50.00

PRINT DATE: 07/29/83

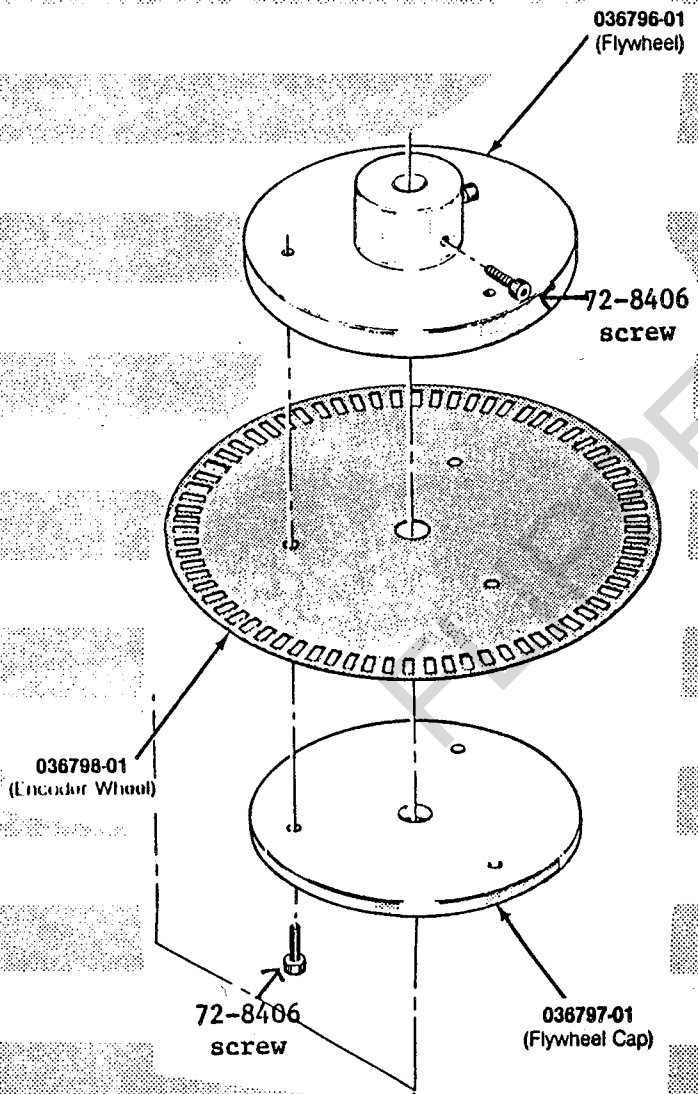
ATARI, INC.
 COIN-OPERATED GAMES DIVISION
 CUSTOMER SERVICE

 ***** SERVICE PARTS PRICE LIST *****

PART DESCRIPTION	PART NUMBER	PRICE
EPROM 2764 STARWARS	136021-208	50.00
EPROM 2764 XEVIOUS	136018-102	70.00
EPROM 2764 XEVIOUS	136018-107	70.00
EPROM 2764 XEVIOUS	136018-109	70.00
EPROM 2764 XEVIOUS	136018-110	70.00
EPROM 2764 XEVIOUS	136018-118	70.00
EPROM 2764 XEVIOUS	136018-119	70.00
EPROM 2764 XEVIOUS	136018-120	70.00
EPROM 2764 XEVIOUS	136018-218	70.00
EPROM 2764 XEVIOUS	136018-219	70.00
EPROM 2764 XEVIOUS	136018-220	50.00
EPROM 2764 XEVIOUS	136018-318	50.00
EPROM 2764 XEVIOUS	136018-319	50.00
ETCHED ENCODER WHEEL	036798-01	10.80
EXTENDED PLAY SCORES	008792-01	1.64
EXTRUS.PCB, 18"LG.	035745-02	1.20
FACEPLATE COIN ASSY	171050-001	161.60
FACEPLATE COIN CONT	A035837-01	109.00
FAN & BRACKET ASSY	A040547-01	50.24
FAN EXHAUST, 110V	171002-001	22.00
FAN, GRILL CT. TABLE	037768-01	6.00
FASTENER, U-TYPE	99-10096	.28

ATARI, INC.
 COIN-OPERATED GAMES DIVISION
 CUSTOMER SERVICE

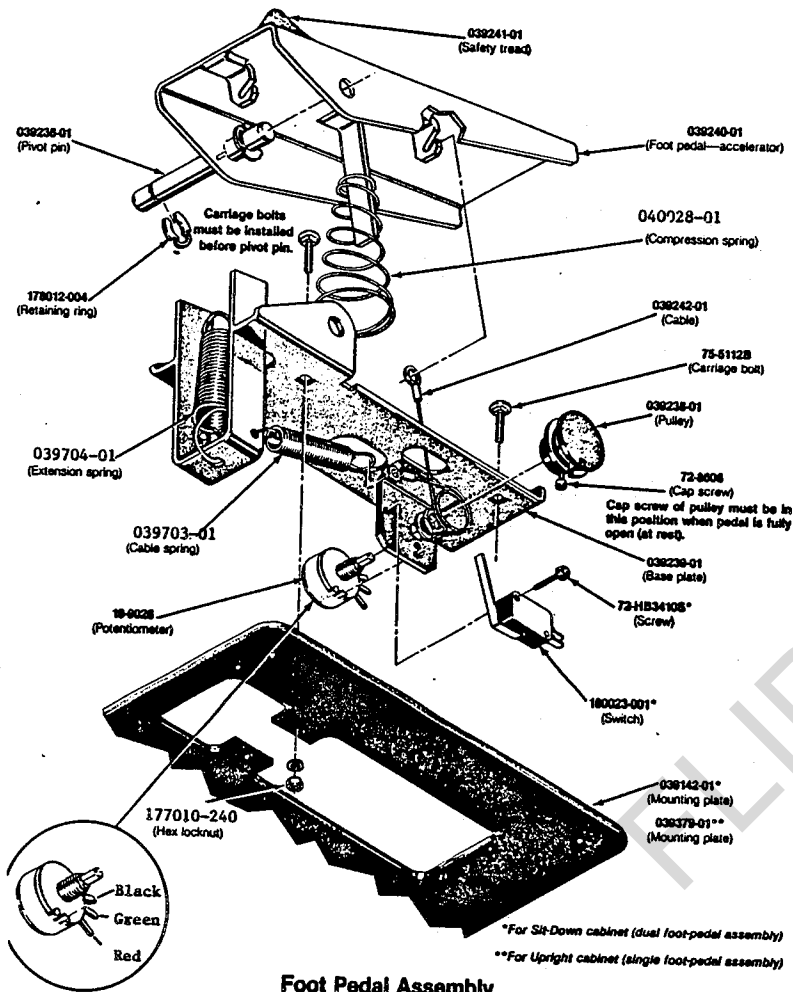
 ***** SERVICE PARTS PRICE LIST *****



PART DESCRIPTION	PART NUMBER	PRICE
FILTER, LINE	99-150010	4.66
FILTER, POWER	99-150592	6.48
FILTER, RFI, 5 AMP	41-2003	8.64
FIXTURE, LAMP, 18"	93-113	26.64
FLAP COIN RETURN	99-10117	1.20
FLAP LOCKOUT	99-15030	2.50
FLAP REJECT METAL	99-15036	2.50
FLIGHT CNTR ASY STWR	A040233-01	426.20
FLIPPER ASY RIGHT	A020968-02	41.66
FLIPPER BEARING	006045-01	.28
FLIPPER BEARING	021198-01	7.68
FLIPPER BUTTON ASSY.	A020895-01	3.60
FLIPPER PIN-HERCULES	021394-01	10.00
FLIPPER SOLEN HERCUL	A021226-01	69.10
FLIPPER 3.00" FLIPPER	004921-01	1.24
FLIPPER 3"	99-080024	1.88
FLUORESCENT TUBE 18"	70-306	9.60
FLYBACK EH A29951B/A	99-120211	80.60
FLYBACK TRANSF. TEC	99-070054	58.56
FLYWHEEL	036796-01	16.80
FOAM, 36YRD 1/4X1/8	78-6900402	23.14
FOCUS ASSY AMPLIFONE	A201009-01	18.34

ATARI, INC.
COIN-OPERATED GAMES DIVISION
CUSTOMER SERVICE

***** SERVICE PARTS PRICE LIST *****



Foot Pedal Assembly
Dual A039109-01 A
Single A039413-01

*For Sit-Down cabinet (dual foot-pedal assembly)
**For Upright cabinet (single foot-pedal assembly)

PART DESCRIPTION	PART NUMBER	PRICE
FOCUS ASY, A46600A EH	99-120428	21.08
FOCUS BRACKET	99-130606	.44
FOCUS G2 LEAD ASSY	99-130491	6.00
FOOT PEDAL (GAS)	039240-01	27.40
FOOT PEDAL ASSY	A000589-01	15.50
FOOT PEDAL ASSY GAS	A039235-01	111.58
FOOT PEDAL ASSY, PPS	A039413-01	170.04
FOOT PEDAL ASSY, PPS	A039109-01	274.56
FOOT PEDAL ASY BRAKE	A039235-02	95.04
FOOT PEDAL TOP RDGED	000590-02	6.44
FRAME HANDLE ASSY	A040247-01	71.28
FRAME DUAL COIN DOOR	99-15064	43.20
FRAME ENCODER WHEEL	036794-01	13.44
FRAME LOW, MIDI-TRKBL	038040-01	4.70
FRAME LOW, MINI TRKBL	036192-01	2.84
FRAME OVER/UND #2	99-10143	42.44
FRAME OVR/UNDER DOOR	99-15072	43.20
FRAME STEERING ASSY	A040236-01	57.60
FRAME TOP, MIDI-TRKBL	038039-01	3.84
FRAME UP, MINI TRKBAL	036191-01	2.80
FRONT MOLDING FABRIC	A020725-01	33.12
FUSE BLOCK, 5 X 3AG	79-3206	5.28

PRINT DATE: 07/29/83

ATARI, INC.
 COIN-OPERATED GAMES DIVISION
 CUSTOMER SERVICE

 ***** SERVICE PARTS PRICE LIST *****

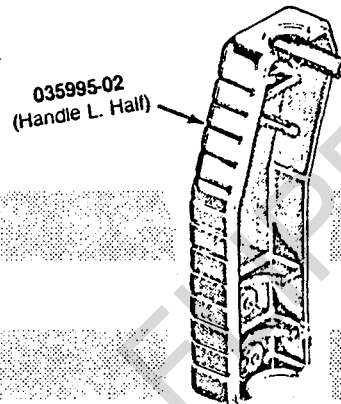
PART DESCRIPTION	PART NUMBER	PRICE
FUSE E5099, 125V350	99-160507	1.06
FUSE 1.25A	99-120426	1.86
FUSE 1.5A, SLOW BLOW	99-150598	.96
FUSE 2AMP, 250V	46-2012002	.68
FUSE 25A, 32V, SLOW, 3A	46-301253	.94
FUSE 4A, SLOW BLOW	99-150597	.96
GEAR ASSY SD NIGHT D	A007494-01	157.24
GEAR SPUR .583" PITCH	178101-002	2.08
GEAR SPUR 1.167" PITCH	178101-003	4.06
GEAR SPUR 14T W/HUB	040249-01	3.70
GEAR SPUR 2.5" PITCH	178101-001	4.32
GEAR SPUR 60T W/HUB	040235-01	4.52
GIMBAL INNER	036956-01	1.20
GIMBAL OUTER	036956-02	1.20
GLASS COCKTAIL CLEAR	037382-01	57.96
GLASS MILLIPEDE CKT	040067-01	132.38
GLASS PLAYFIELD	005957-01	29.00
GLASS WG AST CKT	035879-01	88.50
GLASS WG ASTDLX CKT	036781-01	75.76
GLASS WG CENT 14"CKT	037755-01	93.10
GLASS WG DIG DUG CKT	038366-01	104.34
GLASS WG FFIGHT CKT	040332-01	94.56

PRINT DATE: 07/29/83

ATARI, INC.
 COIN-OPERATED GAMES DIVISION
 CUSTOMER SERVICE

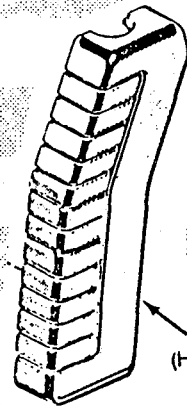
 ***** SERVICE PARTS PRICE LIST *****

PART DESCRIPTION	PART NUMBER	PRICE
GLASS WG MISCOM CKT	036077-01	111.30
GLASS WG SPCDUEL CKT	038148-01	114.98
GLASS WG TEMPEST CKT	037905-01	92.64
GLIDE ADJ SWIVEL	78-3206	.64
GRILL FAN/SPEAKER	038130-01	13.20
GRILL LOWER SPEAKER	037732-01	10.80
GRILL MARQUE SP DUEL	037712-01	4.80
GRILL SPEAKER	000869-01	4.80
GRILL SPEAKER	034457-01	17.18
GRILL SPEAKER	038496-01	27.32
GRILL SPEAKER	038641-01	8.40
GRILL SPEAKER	039344-01	27.60
GRILL SPEAKER	040370-01	27.84
GRILL VENT	037990-01	12.00
GRILL VENT UPPER	037332-01	27.60
GROUND LEAD ASSY	99-130492	2.88
GUARD, FAN BLADE	178093-001	5.04
GUIDE, PC CARD, 16"	178047-032	1.22
HANDLE ASSY. SHIFT	A000610-01	6.72
HANDLE LEFT BZ	035995-02	1.12
HANDLE LEFT MACHINE	040091-01	24.00
HANDLE RIGHT	040091-02	24.00



ATARI, INC.
 COIN-OPERATED GAMES DIVISION
 CUSTOMER SERVICE

 ***** SERVICE PARTS PRICE LIST *****



PART DESCRIPTION	PART NUMBER	PRICE
HANDLE RIGHT BZ	035995-01	2.76
HARN MON ADPT 92-042	A036401-01	11.08
HARNESS	A036096-01	8.64
HARNESS ADAPTER	A036325-01	8.64
HARNESS ASSEMBLY	A201010-01	1.88
HARNESS ASSY, COLOR	A201024-01	9.12
HARNESS ASY CRT	99-120459	26.02
HARNESS ASY VOL/CONT	A039254-01	17.76
HARNESS C/PNL	A038455-01	22.18
HARNESS C/PNL	A038589-01	24.04
HARNESS C/PNL CK MIL	A040056-01	11.62
HARNESS C/PNL FOODFT	A039911-01	24.32
HARNESS C/PNL XEVIQU	A039984-01	24.38
HARNESS CHANNEL	99-120460	14.78
HARNESS CHANNEL	99-120461	14.78
HARNESS CN/PNL MILIP	A039261-01	19.06
HARNESS COIN DOR ASY	99-10147	19.58
HARNESS CONTROL	A035159-01	21.60
HARNESS CONTROL	A037778-01	22.32
HARNESS CONTRQL	A038730-01	19.06
HARNESS CONTROL	A039552-01	11.90
HARNESS CONTROL	A040581-01	11.76

PRINT DATE: 07/29/83

ATARI, INC.
 COIN-OPERATED GAMES DIVISION
 CUSTOMER SERVICE

 ***** SERVICE PARTS PRICE LIST *****

PART DESCRIPTION	PART NUMBER	PRICE
HARNESS CONTROL CENT	A037435-01	21.84
HARNESS CRT	99-120463	27.94
HARNESS FAN	A040513-01	6.52
HARNESS FLIGHT CONT	A040468-01	23.52
HARNESS FOOT PEDAL	A039247-01	8.16
HARNESS GEARSHIFT	A007483-01	12.76
HARNESS HV ASSY	A201007-01	9.94
HARNESS LIGHT	A040480-01	3.88
HARNESS LIGHT/SPKR	A037457-01	6.82
HARNESS LITE/SPEAKER	A040469-01	10.90
HARNESS MAIN	A040695-01	66.48
HARNESS MAIN ARABIAN	A040286-01	82.76
HARNESS MAIN CENTIPD	A037433-01	99.50
HARNESS MAIN CONVER	A039990-01	9.94
HARNESS MAIN FOODFIG	A039909-01	70.66
HARNESS MAIN GRAVITR	A038586-01	114.62
HARNESS MAIN KANGARD	A038578-01	89.76
HARNESS MAIN LIBERAT	A038727-01	99.12
HARNESS MAIN MPD CKT	A040053-01	201.22
HARNESS MAIN POLEPOS	A039459-01	101.72
HARNESS MAIN POLEPOS	A039465-01	148.18
HARNESS MAIN QUANTUM	A039551-01	61.16

PRINT DATE: 07/29/83

ATARI, INC.
 COIN-OPERATED GAMES DIVISION
 CUSTOMER SERVICE

 ***** SERVICE PARTS PRICE LIST *****

PART DESCRIPTION	PART NUMBER	PRICE
HARNESS MAIN SD NDRV	A007484-01	90.62
HARNESS MAIN STARWAR	A040466-01	89.00
HARNESS MAIN TEMPEST	A037775-01	131.12
HARNESS MAIN XEVIQUS	A039982-01	75.46
HARNESS MONITOR ADAP	A036240-01	12.68
HARNESS OFF/ON ASSY	A040698-01	3.40
HARNESS PCB INTERCON	A036247-01	12.58
HARNESS PEDAL PP	A039463-01	5.00
HARNESS POWER	A035890-01	3.08
HARNESS POWER	A038453-01	44.64
HARNESS POWER	A040696-01	21.16
HARNESS POWER ASY	A037777-01	70.92
HARNESS PWR	A038588-01	48.52
HARNESS PWR ARABIAN	A040287-01	41.56
HARNESS PWR FOODFGHT	A039910-01	22.52
HARNESS PWR LIBERATR	A038729-01	61.64
HARNESS PWR MILLIPED	A039260-01	61.64
HARNESS PWR POLEPOS	A039460-01	45.08
HARNESS PWR STARWARS	A040467-01	32.36
HARNESS PWR XEVIQUS	A039983-01	34.68
HARNESS P100 ASSY	99-120462	29.42
HARNESS REAR SPEAKER	A040477-01	6.32

PRINT DATE: 07/29/83

ATARI, INC.
 COIN-OPERATED GAMES DIVISION
 CUSTOMER SERVICE

 ***** SERVICE PARTS PRICE LIST *****

PART DESCRIPTION	PART NUMBER	PRICE
HARNESS S.A.	A036836-01	41.86
HARNESS SPEAKER	A040478-01	3.40
HARNESS VOL/SELFTST	A038004-01	16.80
HARNESS VOLUME PP SD	A039248-01	9.12
HARNESS, MAIN STWR SD	A040475-01	85.58
HARNESS, MAIN**MILPDE	A039259-01	99.12
HARNESS, POWER	A040476-01	36.62
HEATSINK	009470-01	.72
HEATSINK	201019-01	27.80
HEATSINK	99-130563	2.48
HI-VLTG ASY	99-130347	184.42
HI-VLTG** PHASE 1/2#	99-130473	351.00
HINGE TOP PANEL	035851-01	7.10
HOLE KICKER ASY SNGL	A006067-01	21.12
HOUSING LWR & DECAL	A040375-01	205.40
HOUSING PIVOT BALL	036952-01	1.20
HOUSING & DECAL SW S	A040531-01	196.80
HOUSING HV 25X3002	99-130501	17.50
HOUSING LOWER	040257-01	196.80
HUB LITE RACETRACK	000616-01	2.50
HUB MOUNT ASSEMBLY	A009526-01	9.08
HUB-POT LINK	005333-01	.76

PRINT DATE: 07/29/83

ATARI, INC.
 COIN-OPERATED GAMES DIVISION
 CUSTOMER SERVICE

 ***** SERVICE PARTS PRICE LIST *****

PART DESCRIPTION	PART NUMBER	PRICE
HV DOUBLER	99-120140	101.90
HYBRID ASSY 72046H	A003322-01	31.68
IC REGULATOR +12 5%	137291-001	1.00
IC, AM6012, 12 BIT DAC	137158-002	27.20
IC, ANALOG DELAY LINE	137310-001	13.60
IC, AUDIO AMP	37-LM380N	2.92
IC, AUDIO POWER AMPLI	137223-001	6.00
IC, BIDIR TRANCEIVER	37-8304B	4.88
IC, BUFFER, MPU CUSTOM	137281-001	50.00
IC, BUFFER, 2-INPUT PO	137239-001	.72
IC, BUS TRANCEIVER	37-74LS245	1.80
IC, CONVERTER, A/D, 8-B	137273-001	6.40
IC, COUNTER, PRESETABL	137240-001	1.44
IC, CUSTOM CHIP-5116	137235-001	34.00
IC, CUSTOM 11 XEVIOUS	137295-001	34.00
IC, CUSTOM 12 XEVIOUS	137296-001	34.00
IC, CUSTOM 13 XEVIOUS	137297-001	34.00
IC, CUSTOM 50 XEVIOUS	137298-001	34.00
IC, CUSTOM, AUDIO PROC	137284-001	50.00
IC, CUSTOM, BUFFER, PLA	137283-001	50.00
IC, CUSTOM, MOT OBJ RA	137282-001	50.00
IC, CUSTOM, MUX, 3-CHN	137285-001	50.00

PRINT DATE: 07/29/83

ATARI, INC.
COIN-OPERATED GAMES DIVISION
CUSTOMER SERVICE

***** SERVICE PARTS PRICE LIST *****

PART DESCRIPTION	PART NUMBER	PRICE
IC,D-A CONVERTER	37-AD561J	31.40
IC,DAC08,8 BIT DAC	137159-001	4.00
IC,DATA SELECT/MUX	37-74LS251	.96
IC,DATA SELECT/MUX	37-74LS253	1.08
IC,DATA SELECT/MUX,D	137207-001	1.52
IC,DECADE COUNTER	37-7490	.88
IC,DECODE/DMUX,LS156	137228-001	2.40
IC,DECODER/DEMUX	37-9321	1.80
IC,DECODER/MUX,2-4	37-74LS139	.92
IC,DUAL D FLIP-FLOP	37-74S74	.84
IC,DUAL D FLIP-FLOP	37-7474	.62
IC,DUAL DATA SEL/MUX	37-74LS153	1.00
IC,DUAL VOLT COMP	37-LM319	3.20
IC,DUAL 4-IN NAND	37-74LS20	.48
IC,ELEC ATTENUATOR	37-MC3340	2.40
IC,ER2055	137161-001	9.20
IC,GATE ARRAY	137179-001	21.04
IC,H OSC-V-OSC	99-150561	12.96
IC,HA11244	99-120285	8.64
IC,HEX BUFFER	37-MC14050	.80
IC,HEX BUS DRIVER	37-74LS367	1.00
IC,HEX INVERTER,TTL	37-7404	.74

PRINT DATE: 07/29/83

ATARI, INC.
 COIN-OPERATED GAMES DIVISION
 CUSTOMER SERVICE

 ***** SERVICE PARTS PRICE LIST *****

PART DESCRIPTION	PART NUMBER	PRICE
IC,HEX SCHMT TRIG	37-7414	.94
IC,LAS112N	99-160512	3.36
IC,LF13201	37-13201	7.12
IC,LIN,VOLT REG,5V	37-LM305	1.84
IC,LM339	37-LM339	1.20
IC,LOGIC ARRAY	137294-001	16.00
IC,MB8841477M ROM	137224-001	34.00
IC,MC3410,D-A CDVRT	137160-002	24.00
IC,MC68000LC MPU 16	137289-001	82.00
IC,MC7912CP REG MOT	37-7912	2.60
IC,MICROPROCESSDR,16	137275-001	56.00
IC,MPU 68B09E	137249-120	21.60
IC,MULTIVIBRATOR,DUA	137242-001	1.40
IC,NAND GATE,TRIPLE	137236-001	.88
IC,OCTAL D FLIP-FLOP	37-74LS374	1.68
IC,OCTAL D LATCH	37-74LS373	1.68
IC,PAL CHIP 12L6	137316-001	12.20
IC,PAL,QUANTUM	137290-001	16.00
IC,PER DRIVER	37-MC1413	2.20
IC,PROG LOGIC ARRAY,	137279-001	11.60
IC,QUAD ANLG SW/MUX	37-4016B	1.00
IC,QUAD ANLG SWITCH	37-4066	.64

PRINT DATE: 07/29/83

ATARI, INC.
 COIN-OPERATED GAMES DIVISION
 CUSTOMER SERVICE

 ***** SERVICE PARTS PRICE LIST *****

PART DESCRIPTION	PART NUMBER	PRICE
IC, QUAD BUS RECEIVER	37-BT28	2.60
IC, QUAD DATA SELECT	37-74LS257	.78
IC, QUAD OP AMP	37-LM324	.92
IC, QUAD OP-AMP	37-347	2.64
IC, QUAD 2-IN AND	37-7408	.48
IC, QUAD 2-IN AND, TTL	37-74S08	1.52
IC, QUAD 2-IN NAND	37-7400	.48
IC, QUAD 2-IN NOR	37-74LS02	.68
IC, QUAD 2-IN NOR	37-7402	.48
IC, QUAD 2-IN OR	37-7432	.52
IC, Q7606	99-160007	9.12
IC, Q7607	99-160008	3.46
IC, RAM DIG DUG	137189-001	34.00
IC, RAM PROGRAM LOGIC	137313-001	14.72
IC, RAM, 2048X8, 150NSE	137278-002	20.00
IC, RAM, 256X4, 250N SE	137250-001	7.36
IC, REGISTER FILE, 4X4	37-74LS670	2.32
IC, REGULATOR 5V	37-7905	1.40
IC, REGULATOR, 12V, 5%	37-7812	1.28
IC, SCR ARRAY	137227-001	1.44
IC, SHIFT REGISTER	37-74LS166	2.00
IC, SOUND GENERATOR	137222-001	10.60

PRINT DATE: 07/29/83

ATARI, INC.
COIN-OPERATED GAMES DIVISION
CUSTOMER SERVICE

***** SERVICE PARTS PRICE LIST *****

PART DESCRIPTION	PART NUMBER	PRICE
IC, SYNC	99-150001	3.22
IC, SYNC 4BIT COUNTER	37-74LS163A	1.16
IC, TDA1004 W/HEATSNK	37-TDA1004	6.60
IC, TDA2002A 8W	137151-002	2.16
IC, TL081 OP-AMP	137108-001	.86
IC, TL082 OP-AMP	37-TL082CP	1.28
IC, TNS5220	137308-001	22.36
IC, TRACKBALL INTERFA	137304-1001	10.40
IC, TRIPLE 3-IN NAND	37-7410	.46
IC, TTL, HEX BUF, TRIST	37-8097	.88
IC, UP/DOWN COUNTER	37-74191	1.44
IC, VERTICAL OUTPUT	99-150002	3.94
IC, VERTICLE SCROLL	137321-1111	6.40
IC, VOLT REG, 5V, 3A, 4	37-LM323K	7.80
IC, VOLT REGULATOR	37-7915	1.60
IC, VOLTAGE REGULATOR	37-7805	1.60
IC, VOLTAGE REGULATOR	37-7815	1.56
IC, Z80A 8BIT 4MHZ	137194-001	8.80
IC, 02 CUSTOM	137190-001	34.00
IC, 04 CUSTOM	137191-001	34.00
IC, 06 CUSTOM	137192-001	34.00
IC, 07 CUSTOM	137193-001	34.00

PRINT DATE: 07/29/83

ATARI, INC.
 COIN-OPERATED GAMES DIVISION
 CUSTOMER SERVICE

 ***** SERVICE PARTS PRICE LIST *****

PART DESCRIPTION	PART NUMBER	PRICE
IC, 14511	37-MC14511B	1.56
IC, 1495, MULTPLIER	37-1495	3.12
IC, 2016P STATIC RAM	137211-001	11.00
IC, 2148 STATIC RAM	137199-001	10.00
IC, 2212D RAM NONVO	137288-001	23.00
IC, 256X4 RAM STATIC	137178-001	22.00
IC, 2901 4 BIT MPROC	137004-001	20.88
IC, 3410 CONV D-A M	137160-004	19.60
IC, 4 BIT COUNTER	37-9316	1.60
IC, 4-BIT FULL ADDER	37-74LS83	1.04
IC, 4-10 BCD/DEC, TTL	37-7442	.74
IC, 4099B	37-4099B	1.80
IC, 4514B	37-4514B	4.40
IC, 4584B, SCHMITT TRG	37-4584B	.80
IC, 51 CUSTOM	137187-001	34.00
IC, 53 CUSTOM	137188-001	34.00
IC, 555 TIMER	37-555	.64
IC, 556 DUEL TIMER	37-556	1.28
IC, 566	37-566	5.40
IC, 6-BIT RATE MULT.	37-7497	9.00
IC, 74LS00	37-74LS00	.48
IC, 74LS04	37-74LS04	.52

PRINT DATE: 07/29/83

ATARI, INC.
COIN-OPERATED GAMES DIVISION
CUSTOMER SERVICE

***** SERVICE PARTS PRICE LIST *****

PART DESCRIPTION	PART NUMBER	PRICE
IC, 74LS08, 2IN, TTL	37-74LS08	.52
IC, 74LS107 FLIP/FLDP	137169-001	.80
IC, 74LS109 DUAL	37-74LS109	.80
IC, 74LS11	137149-001	.52
IC, 74LS138 DECODER	137177-001	.92
IC, 74LS14	37-74LS14	.80
IC, 74LS155 DECODER	137221-001	2.20
IC, 74LS157, DATASELCT	37-74LS157	1.00
IC, 74LS158 DATASLECT	137203-001	1.04
IC, 74LS161, SYNC	37-74LS161	1.04
IC, 74LS164	37-74LS164	1.08
IC, 74LS169A	137109-001	4.00
IC, 74LS174 HEX	37-74LS174	.92
IC, 74LS175	37-74LS175	1.04
IC, 74LS191	37-74LS191	1.28
IC, 74LS193	37-74LS193	1.20
IC, 74LS194	37-74LS194	1.18
IC, 74LS241	37-74LS241	2.00
IC, 74LS244 LINE DRV	37-74LS244	1.60
IC, 74LS27	37-74LS27	.68
IC, 74LS273 OCTAL	37-74LS273	1.52
IC, 74LS283 FULL ADER	137204-001	1.20

PRINT DATE: 07/29/83

ATARI, INC
 COIN-OPERATED GAMES DIVISION
 CUSTOMER SERVICE

 ***** SERVICE PARTS PRICE LIST *****

PART DESCRIPTION	PART NUMBER	PRICE
IC, 74LS298 MULTIPLX	137201-001	1.40
IC, 74LS32 QUAD	37-74LS32	.60
IC, 74LS365 HEX BUS	137200-001	.88
IC, 74LS368 DRVR HEX	137168-001	.88
IC, 74LS377	37-74LS377	2.20
IC, 74LS384	137182-001	11.00
IC, 74LS385	137181-001	9.00
IC, 74LS393 DUAL	37-74LS393	1.28
IC, 74LS399	37-74LS399	2.40
IC, 74LS42	37-74LS42	.88
IC, 74LS74 DUAL FL/FP	37-74LS74	.62
IC, 74LS86 2IN EXC	37-74LS86	.68
IC, 74LS90 SIG	37-74LS90	.80
IC, 74L04	37-74L04	1.04
IC, 74S00	37-74S00	.60
IC, 74S03	137003-001	1.20
IC, 74S04	37-74S04	.68
IC, 74S161 4-BIT BIN	137287-001	4.20
IC, 74S163	137274-001	4.00
IC, 74S174 FLIP/FLOP	137209-001	1.88
IC, 74S195 SHFT REG	137208-001	1.92
IC, 74S257, DATA SELEC	137217-001	1.52

PRINT DATE: 07/29/83

ATARI, INC
 COIN-OPERATED GAMES DIVISION
 CUSTOMER SERVICE

 ***** SERVICE PARTS PRICE LIST *****

PART DESCRIPTION	PART NUMBER	PRICE
IC,74S260	37-74S260	1.30
IC,74S86	137002-001	.96
IC,74004	137309-001	.60
IC,7403	37-7403	.48
IC,7406 HEX	37-7406	.64
IC,7407	37-7407	.68
IC,741	37-741	.64
IC,74107	37-74107	.68
IC,74109	37-74109	.64
IC,74128 DRVR 50 OH	137202-001	1.28
IC,74145	37-74145	1.20
IC,74151	37-74151	1.28
IC,74153	37-74153	1.04
IC,74154	37-74154	2.00
IC,74156	37-74156	1.20
IC,74157	37-74157	1.52
IC,74174	37-74174	1.32
IC,74175	37-74175	1.24
IC,74193	37-74193	1.32
IC,7420	37-7420	.44
IC,7437	37-7437	.60
IC,7448	37-7448	1.40

PRINT DATE: 07/29/83

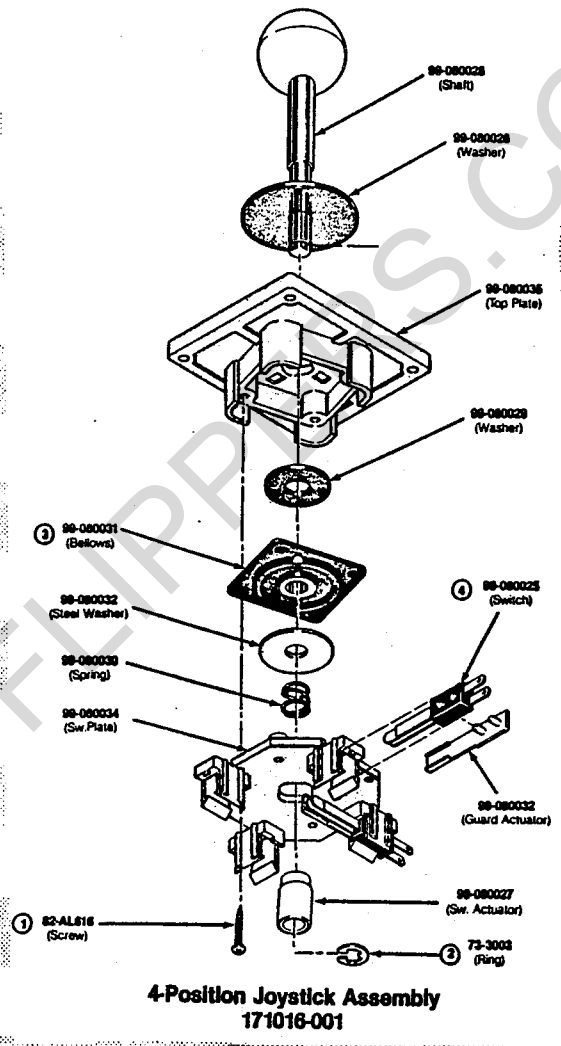
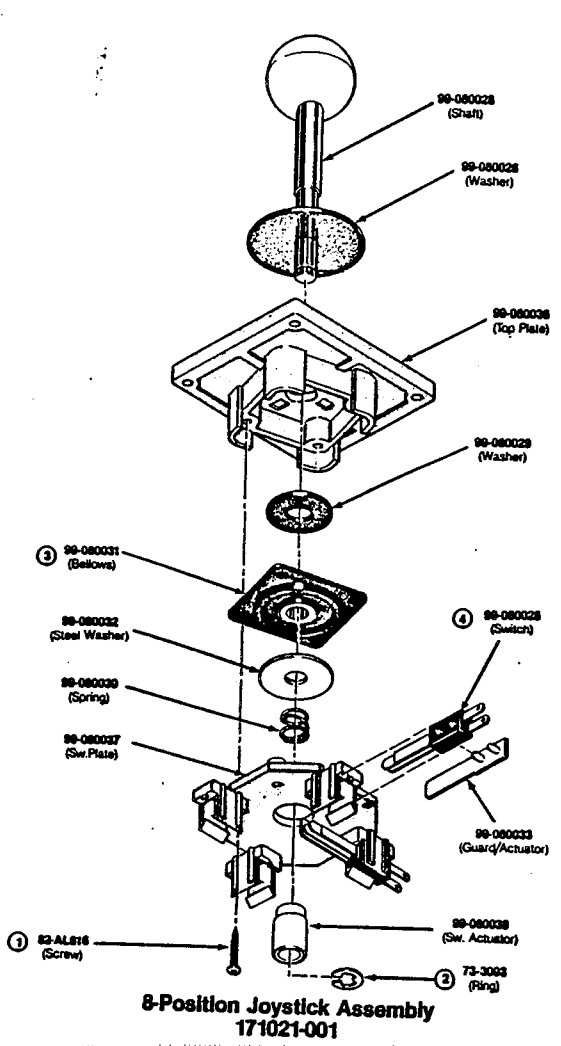
ATARI, INC.
 COIN-OPERATED GAMES DIVISION
 CUSTOMER SERVICE

 ***** SERVICE PARTS PRICE LIST *****

PART DESCRIPTION	PART NUMBER	PRICE
IC,7476	37-7476	.60
IC,7493	37-7493	.72
IC,7824 REGULATOR	137183-001	1.36
IC,7924 REGULATOR	137220-001	1.56
IC,8-BIT ADRS LATCH	37-74LS259	1.64
IC,8-BIT MICROPROC	90-6013	10.80
IC,9300	37-9300	1.60
IC,9301	37-9301	1.96
IC,9312	37-9312	1.20
IC,9334 SIG	37-9334	2.60
IC,9602	37-9602	1.16
INDUCTOR, 1UH, PEAKING	141007-001	.72
INDUCTOR, 100 UH	41-3003	.68
INDUCTOR, 100UH, 10%	141002-001	.68
INLET, COIN RIGHT	99-10063	2.50
INLET, COIN WITH TAB	99-10101	6.48
INNER PANEL COIL ASY	99-10140	28.80
INTLK. SW. MOD.	A037450-01	9.80
INTLK, SW. MTG. BKT, CPD	A037482-01	4.70
INTLOCK SW. MODIFIED	A036189-01	6.52
ISOLATION TRAN TERM	A035791-03	42.72
JACKET, ZIPPER, LARGE	08-0302149	27.94

ATARI, INC.
 COIN-OPERATED GAMES DIVISION
 CUSTOMER SERVICE

 ***** SERVICE PARTS PRICE LIST *****

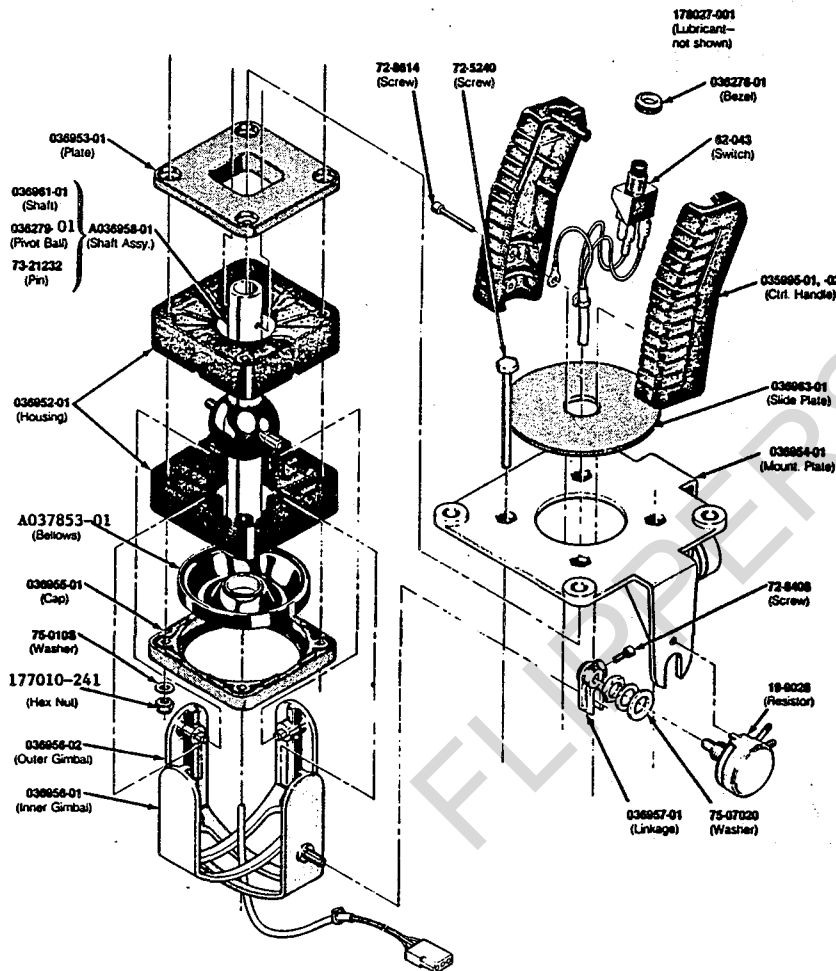


PART DESCRIPTION	PART NUMBER	PRICE
JACKET, ZIPPER, MEDIUM	08-0302148	27.94
JACKET, ZIPPER, SMALL	08-0302147	27.94
JACKET, ZIPPER, XTRLRG	08-0302150	27.94
JERSEY, VNECK, RED, XLG	08-0302191	15.92
JOYSTICK ASY PODLSHK	A007647-01	53.20
JOYSTICK ASY 8 POSIT	171021-001	25.00
JOYSTICK ASY, CIRCLE	A038838-02	116.40
* JOYSTICK GIMBAL TYPE	A036951-01	103.78
JOYSTICK 4 POSITION	171016-001	24.00
JRSY I LUV ATARI LRG	08-0302228	11.88
JRSY I LUV ATARI MED	08-0302227	11.88
JRSY I LUV ATARI SM	08-0302226	11.88
JRSY I LUV ATARI XLG	08-0302229	11.88
JRSY VNECK BLU/WH LG	08-0302153	15.92
JRSY VNECK BLU/WH MD	08-0302152	15.92
JRSY VNECK BLU/WH SM	08-0302151	15.92
JRSY VNECK BLU/WH XL	08-0302154	15.92
JRSY VNECK RD/WH SML	08-0302168	15.92
JRSY VNECK RD/WH XLG	08-0302171	15.92
JRSY VNECK RED	08-0302188	15.92
JRSY VNECK RED LARGE	08-0302190	15.92
JRSY VNECK RED MED	08-0302189	15.92

* See page 142 for A036951-01
 Gimbal Joystick

ATARI, INC.
 COIN-OPERATED GAMES DIVISION
 CUSTOMER SERVICE

 ***** SERVICE PARTS PRICE LIST *****



Gimbal-Type Joystick Assembly
 A036951-01 C

PART DESCRIPTION	PART NUMBER	PRICE
KEEPER, APF	99-10104	.40
KIT, TEST PLUG, PAT 90	08-0303045	143.00
KNOB, CONTROL PANEL	73-819	7.24
KNOB, CONTROL, BLACK	73-801	2.64
KNOB, VOL CONT 3/4" DI	178070-001	1.10
KNOB, WITH SET SCREWS	73-834	3.50
LABEL STEERING CAP	039243-01	1.52
LAMP, F1	70-4101	14.26
LAMP, FLUOR 18" 15WATT	70-304	4.76
LAMP, INCANDESCENT, 14	70-1H161	1.18
LAMP, MINI G.E. #328	70-13-328	1.06
LAMP, MINI SCREW BASE	70-10-40	.96
LAMP, MINI-BAY, #1816	70-11-1816	.52
LAMP, MINI-BAY, #47	70-11-47	.60
LAMP, SYLVANI 120V 6W	70-1212OMB6	3.84
LAMP, T 3-1/4, WEDGE B	170000-002	.40
LAMP, T3-1/4 WDG BASE	170000-001	.96
LAMPHOLDER, SCREW IN	99-15051	.68
LATCH, DRAW	78-3408	6.38
LATCH, SPRING DRAW	178013-001	2.26
LATERAL PURITY ASSY	99-130478	7.88
LEAF SWITCH & BTNHLD	160013-001	3.26

PRINT DATE: 07/29/83

ATARI, INC.
 COIN-OPERATED GAMES DIVISION
 CUSTOMER SERVICE

 ***** SERVICE PARTS PRICE LIST *****

PART DESCRIPTION	PART NUMBER	PRICE
LEAF SWITCH W/BUTTON	160022-001	2.56
LEG ASY,CKT ASTEROID	A035896-01	72.00
LEG LEVELER CAP ASSY	A037246-01	78.00
LENS HOLDER	001851-01	3.50
LEVER,COIN RETURN	99-10052	3.46
LEVER,COIN RETURN (P	99-10116	3.46
LEVER,SWITCH	99-160504	.86
LID,CASH BOX MOD.11	030245-02	14.40
LIGHT/SPEAKER ASY	A039737-01	48.54
LIGHT/SPKR PNL ASSY	A040383-01	129.60
LIGHT/2 SPEAKER ASSY	A038731-01	4.42
LIGHTBOARD,MPD ASSY	A039305-01	64.12
LINK ARM PIN	021406-01	2.02
LINKAGE ASSEMBLY	A009525-01	9.22
LINKAGE,GIMBAL	036957-01	1.20
LITE & SPEAKER ASY	A039852-01	91.52
LITE &SPKR HARN XEV	A039985-01	5.90
LITE BRD ASY, LOWER	A039853-01	90.98
LOCK & CAM ASSEMBLY	A038881-01	3.46
LOCK ASSEMBLY	A038881-03	3.26
LOCK W/2KEYS & LATCH	99-15067	21.88
LOCK 904707	99-10074	5.32

PRINT DATE: 07/29/83

ATARI, INC.
 COIN-OPERATED GAMES DIVISION
 CUSTOMER SERVICE

 ***** SERVICE PARTS PRICE LIST *****

PART DESCRIPTION	PART NUMBER	PRICE
LOCK, KEY, **NO CAM	178085-002	4.08
LOCKING ARM ASSY	99-10049	7.20
LONG POST RED	020185-02	.76
LUB, TUBE 1/4 OZ	178027-001	5.28
LUBRICANT, DRY, TEFLON	107012-001	25.96
MAG COR ASSY AMPLIF	A201006-01	7.54
MAGNET CONVERGANCE/P	99-160459	4.18
MARQUE & DECAL MPD UP	A039307-01	102.12
MARQUE & DECAL STWR U	A040378-01	100.36
MARQUE & DECAL XEVOUS	A039850-01	35.96
MARQUE & LITE ASY CRS	A040105-01	126.62
MARQUE RETAINER STWR	O40454-01	9.60
MARQUE RETAINER UPPER	O40455-01	13.20
MARQUE ASSY TEMP UP	A037709-01	73.92
MARQUE ASSY XEVIUS	A039857-01	81.10
MARQUE AST DLUXE CAB	O36887-01	36.68
MARQUE CLEAR GLASS**	O40136-01	7.70
MARQUE FRAME WOOD	O39323-05	20.30
MARQUE GLASS CLEAR	O37410-01	7.90
MARQUE GLASS CLEAR	O39318-01	11.00
MARQUE GLASS CLR XEV	O39849-01	7.84

PRINT DATE: 07/29/83

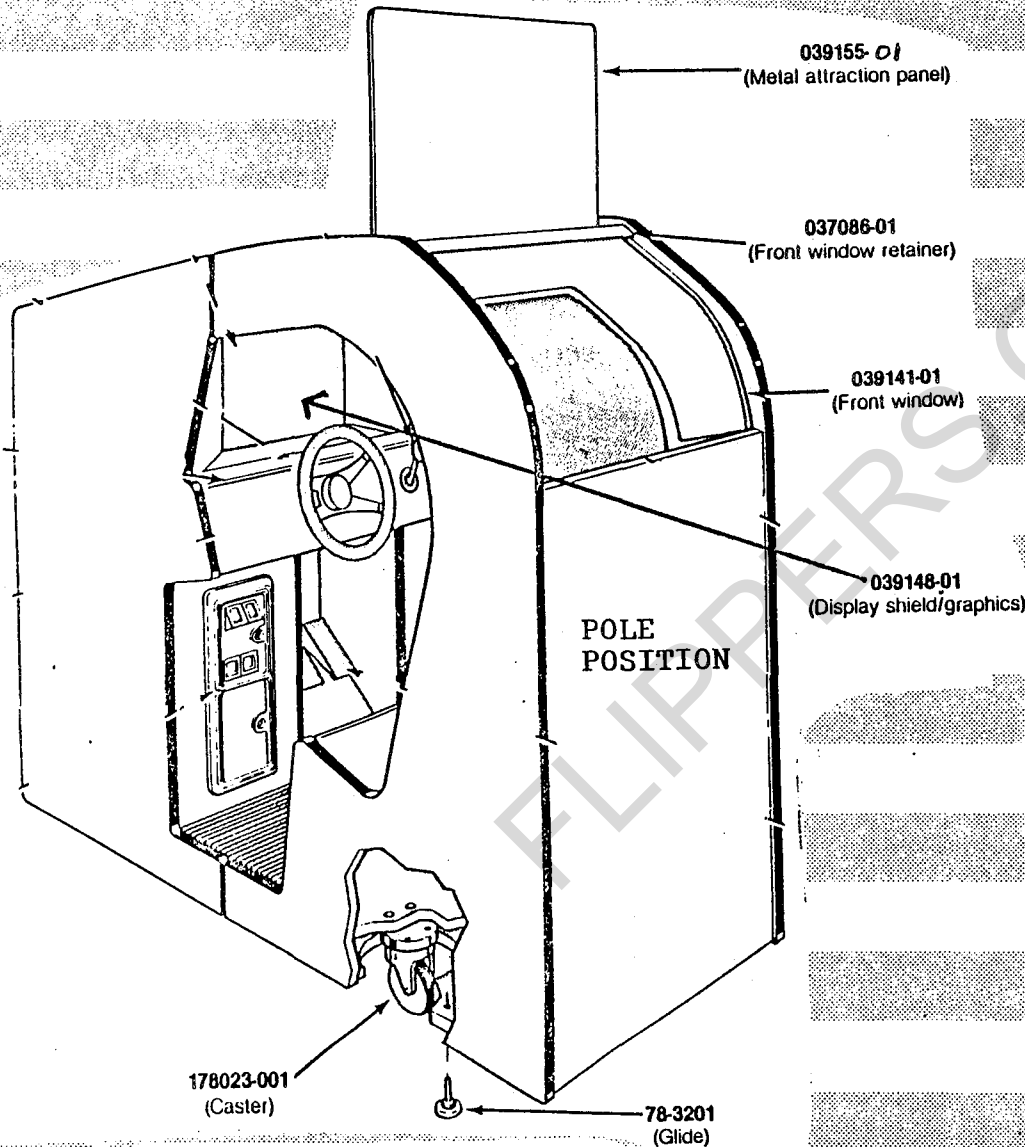
ATARI, INC.
 COIN-OPERATED GAMES DIVISION
 CUSTOMER SERVICE

 ***** SERVICE PARTS PRICE LIST *****

PART DESCRIPTION	PART NUMBER	PRICE
MARQUE GLS CLR TEMP	037713-01	9.00
MARQUE HOOD ASY**	A040125-01	19.06
MARQUE OPENFACE BZ	037628-01	48.72
MARQUE WG AST DLX	035051-01	55.20
MARQUE WG AST DLX UP	036615-01	52.00
MARQUE WG BATTLEZONE	035827-01	42.00
MARQUE WG BLK WIDOW	039977-01	69.00
MARQUE WG CENT CAB	037519-01	53.64
MARQUE WG CENT UP	037411-01	47.28
MARQUE WG DIGDUG CAB	038326-01	21.60
MARQUE WG DIGDUG UP	038273-01	30.84
MARQUE WG FOOD FIGHT	039751-01	77.86
MARQUE WG GRAVITAR	038177-01	34.72
MARQUE WG KANGAROO	038420-01	30.84
MARQUE WG LEMANS	032843-01	25.92
MARQUE WG LIBERATOR	038494-01	46.88
MARQUE WG MISCOM CAB	036360-01	32.70
MARQUE WG MISCOM UP	035386-01	60.00
MARQUE WG POLEPOS UP	039418-01	49.48
MARQUE WG PPSD METAL	039155-01	52.52
MARQUE WG QUANTUM UP	039525-01	64.54
MARQUE WG RED BARON	037569-01	31.68

ATARI, INC.
COIN-OPERATED GAMES DIVISION
CUSTOMER SERVICE

***** SERVICE PARTS PRICE LIST *****



PART DESCRIPTION	PART NUMBER	PRICE
MARQUE WG SPACE DUEL	037318-01	46.84
MARQUE WG STARWR SD	040460-01	63.90
MARQUE WG TEMP CAB	037984-01	83.58
MICROSWITCH MODIFIED	020897-01	2.92
MICROSWITCH MODIFIED	020897-04	1.78
MIRROR BATTLEZONE	036143-01	34.50
MIRROR TRANSPARENT	036499-01	49.20
MON/SHIELD BATTLEZONE	036220-01	39.24
MON/SHIELD CENT UR	037413-01	71.10
MON/SHIELD SMOKED MC	035403-01	24.36
MON/SHIELD STWRS SD	040458-01	36.60
MON/SHIELD TEMPEST	037734-01	84.00
MON/SHIELD TMPST CAB	037972-01	58.38
MON/SHLD BREAKOUT UP	004841-02	55.00
MON/SHLD CENTIPD CAB	037522-01	50.16
MON/SHLD DIGDUG CAB	038327-01	41.04
MON/SHLD FOOD FIGHT	039752-01	106.38
MON/SHLD KANGAROO	038419-01	65.96
MON/SHLD LIBERATOR	038491-01	24.48
MON/SHLD MISSILE CMD	035414-01	50.70
MON/SHLD POLEPOS SD	039148-01	45.68
MON/SHLD POLEPOS UP	039417-01	96.88

*** 039148-01 Monitor Shield the arrow in your manual is pointing to the window..please change your manual so that the arrow points to the shield above the steering wheel

ATARI, INC.
COIN-OPERATED GAMES DIVISION
CUSTOMER SERVICE

***** SERVICE PARTS PRICE LIST *****

PART DESCRIPTION	PART NUMBER	PRICE
MON/SHLD SMOKED	037303-01	34.56
MON/SHLD SMOKED	039521-01	38.46
MON/SHLD STARWARS UP	040371-01	34.66
MON/SHLD SUPR BRKOUT	033137-01	100.00
MON/SHLD WG ARABIAN	040273-01	111.94
MON/SHLD WG AST UP	035049-01	78.00
MON/SHLD WG BATLEZON	037629-01	48.38
MON/SHLD WG DIGDUG U	038274-01	65.94
MON/SHLD WG XEVIUS	039860-01	55.48
MONITOR INTERCONNECT	A038593-01	17.90
MONITOR SHIELD	039317-01	42.40
MONITOR 12" BW ZENITH	92-041	337.96
MONITOR 13" CLR SANYO	92-048	450.00
MONITOR 14" COLOR EH	92-056	568.56
MONITOR 14" CLR MATSU	92-046	450.00
MONITOR 15" XY BW EH	92-045	465.00
MONITOR 19" BW MOT. WG	92-033	345.00
MONITOR 19" BW XY EH	92-047	439.02
MONITOR 19" BW XY WG	92-050	439.02
MONITOR 19" CLR MATSU	139003-1004	513.70
MONITOR 19" CLR MATSU	139003-1204	615.00
MONITOR 19" CLR RS AM	A200001-01	859.42

PRINT DATE: 07/29/83

ATARI, INC.
 COIN-OPERATED GAMES DIVISION
 CUSTOMER SERVICE

 ***** SERVICE PARTS PRICE LIST *****

PART DESCRIPTION	PART NUMBER	PRICE
MONITOR 19"CLR RS EL	92-049	700.14
MONITOR 19"CLR SANYO	139003-1205	606.00
MONITOR 19"CLR XY AM	A200000-01	845.00
MONITOR 19"COLOR WG	92-055	666.00
MONITOR 19"QSC CL WG	92-053	860.20
MONITOR 23" BW WG	92-040	369.00
MONITOR 25"CL XY AMP	A200011-01	258.60
MOTOROLA 1N4751	32-1N4751	.32
MOUNT COIN ACCEPTER	035872-01	30.00
MPU MC6800L	90-6001	27.00
MTR/SHLD FLAT DELUXE	036614-01	62.44
ON-OFF W/HARN. ASSY	A038600-01	17.30
OVER-UNDR DOOR&FRAME	99-15070	100.80
OVERLAY SMOKE ACRY	039859-01	7.06
OVERLAY, MONITOR	038129-01	24.20
OVERLAY, ACRYLIC BRNZ	035867-02	12.48
OVERLAY, MONITOR, RED	036263-01	1.64
OVERLAY, MONITR, GREEN	036263-02	2.78
OVERLAY, MTR TEMP CKT	037829-01	21.64
PANEL DOOR	040443-02	8.40
PANEL MT FUSE HOLDER	79-4411001	2.44
PANEL SERVICE DOOR	038121-02	30.28

PRINT DATE: 07/29/83

ATARI, INC.
 COIN-OPERATED GAMES DIVISION
 CUSTOMER SERVICE

 ***** SERVICE PARTS PRICE LIST *****

PART DESCRIPTION	PART NUMBER	PRICE
PANEL,ACCESS	039349-01	17.42
PANEL,ACCESS,UP REAR	039359-02	10.58
PANEL,ACES SERVSDOOR	038121-01	14.48
PANEL,ATTRACTION	035472-01	33.02
PANEL,CKT SPACE DUEL	038127-01	48.00
PANEL,CONTROL	038498-01	60.48
PANEL,DOOR	040129-01	21.74
PANEL,DOOR PPS	039376-01	16.04
PANEL,INNER,W/LEVERS	99-10103	123.26
PANEL,LITE & SHIELD	039837-04	31.06
PANEL,REAR DOOR U/R	037419-02	30.52
PANTS,SWEAT LARGE	08-0302145	21.06
PANTS,SWEAT MEDIUM	08-0302144	21.06
PANTS,SWEAT SMALL	08-0302143	21.06
PANTS,SWEAT XLGE	08-0302146	21.06
PAPER CUBE,ATARI LOG	08-0302134	9.62
PARTS CATALDG**	08-0302050	10.00
PAT 9000 TEST FIXTUR	A038601-01	3500.00
PCB CRYSTAL CASTLES	A039574-21	1173.18
PCB DEFLECT AMPLIFON	A201014-01	267.50
PCB EMI SHIELD ASSY	A037430-05	128.10
PCB H.V. AMPLIPHONE	A201012-02	119.18

PRINT DATE: 07/29/83

ATARI, INC.
COIN-OPERATED GAMES DIVISION
CUSTOMER SERVICE

***** SERVICE PARTS PRICE LIST *****

PART DESCRIPTION	PART NUMBER	PRICE
PCB HI VOLT AMPLIFON	A201012-01	236.50
PCB RFI SHIELD	A037430-06	77.48
PCB STEERING NAMCO	A039507-01	20.88
PCB, OPT COUPLER ASY	A035220-02	19.60
PCB,AMP DEFLECT E/H	99-120362	152.84
PCB,ARABIAN MAIN	171051-001	2520.00
PCB,ASY 38A5358 WG	99-130148	251.88
PCB,AVG STARWARS	A038463-21	762.60
PCB,BLACK WIDOW	A040003-21	1376.46
PCB,CONT.1 F-1	A007421-01	291.30
PCB,CONT.2 F-1	A007423-01	266.52
PCB,CONTROL ASSY	99-160001	12.08
PCB,CPU KANGAROO	171023-001	888.00
PCB,CPU POLE POSITID	A039185-21	1542.80
PCB,CPU XEVIQUS	A039785-21	934.02
PCB,CRT MATSUSHITA	99-150723	29.62
PCB,CRT SOCKET	99-120402	43.20
PCB,DEF AMP **	A201022-01	465.72
PCB,DEFLEC MATSUSHIT	99-150725	18.96
PCB,DEFLEC** PHASE 3	99-130612	276.92
PCB,DEFLEC** 1&2#	99-130474	260.50

When ordering parts for the 92-053 Wells Gardner 19" color
Quadrascan monitor, please have the model number available
as there are 3 different models under the same part 92-053
The parts are not interchangeable.

Phase 1 & 2 = Model #19K6101
Phase 3 = Model #19K6102

PRINT DATE: 07/29/83

ATARI, INC.
 COIN-OPERATED GAMES DIVISION
 CUSTOMER SERVICE

 ***** SERVICE PARTS PRICE LIST *****

PART DESCRIPTION	PART NUMBER	PRICE
PCB,DIG DUG	A038575-21	1458.00
PCB,DRIVE F-1	A007427-01	244.38
PCB,DUAL KANGAROO	171022-001	2616.00
PCB,EHT O2-160016-01	99-120378	153.12
PCB,EMI SHIELD	A040258-01	81.22
PCB,EMI 44824 PIN	A037430-01	80.64
PCB,END CONNECTOR	A039431-01	28.68
PCB,GRAVITAR	A038398-21	1228.26
PCB,GRAVITAR	A038398-22	1228.26
PCB,HI-VLTG**PHASE 3	99-130611	252.86
PCB,INTERCNT STARWAR	A040255-01	61.16
PCB,INTERCONNECT	A037851-01	12.34
PCB,INTERFACE	99-130604	71.28
PCB,INTERFACE	99-130610	74.96
PCB,IPC (WG MONITOR)	A038088-01	42.46
PCB,MAIN	99-120206	255.84
PCB,MAIN CIRCUIT ASY	99-160464	630.96
PCB,MAIN FOODFIGHT	A039945-21	1445.80
PCB,MAIN SANYO	99-160002	361.86
PCB,MAIN 19K46XX	99-130603	226.80
PCB,MAIN,QUANTUM	A039297-21	1912.00

PRINT DATE: 07/29/83

ATARI, INC.
COIN-OPERATED GAMES DIVISION
CUSTOMER SERVICE

***** SERVICE PARTS PRICE LIST *****

PART DESCRIPTION	PART NUMBER	PRICE
PCB,MAIN,STARWARS	A038461-21	1079.64
PCB,MILLIPEDE**	A038874-21	843.58
PCB,MONITOR MATSUSHI	99-150722	352.60
PCB,NECK	99-160462	86.40
PCB,NECK CLR RST AMP	A201020-01	52.48
PCB,NECK MODEL	99-130601	125.84
PCB,NECK** PHASE 1&2	99-130479	132.84
PCB,NECK** PHASE 3#	99-130613	166.32
PCB,RFI EMI	A037667-01	113.88
PCB,RFI SHIELD ASSY	A039490-01	82.76
PCB,SCORE F-1	A007429-01	310.32
PCB,SOUND F-1	A007425-01	239.16
PCB,SOUND STARWARS	A040260-21	511.02
PCB,STEERING POLE PD	A040510-01	26.48
PCB,TEMPEST	A037383-02	1163.28
PCB,TOURNAMENT TABLE	A030170-01	508.92
PCB,TRIPLE HUNT	A007532-01	1722.60
PCB,VIDEO AMP MATSUS	99-150724	29.62
PCB,VIDEO XEVIUS	A039787-21	1337.76
PCB,VIDEO,KANGAROO	171024-001	1344.00
PCB,VIDEO,POLE POSIT	A039187-21	1493.62
PEN,SHAEFFER,ATARI	08-0302159	3.90

When ordering parts for the 92-053 Wells Gardner 19" color
Quadrascan monitor, please have the model number available
as there are 3 different models under the same 92-053 part
number. The parts are not interchangeable.

Phase 1 & 2 = Model #19K6101
Phase 3 = Model #19K6102

PRINT DATE: 07/29/83

ATARI, INC.
 COIN-OPERATED GAMES DIVISION
 CUSTOMER SERVICE

 ***** SERVICE PARTS PRICE LIST *****

PART DESCRIPTION	PART NUMBER	PRICE
PHOTOCELL	38-CL907HL	7.00
PIN, ACTUATOR RED	035301-02	.66
PIN, ASTEROIDS	08-0302199	3.50
PIN, BATTLEZONE	08-0302200	3.50
PIN, CENTIPEDE	08-0302205	3.50
PIN, DELUXE ASTEROID	08-0302204	3.50
PIN, DIG DUG	08-0302206	3.50
PIN, FOOD FIGHT	08-0302281	3.50
PIN, GRAVITAR	08-0302207	3.50
PIN, KANGAROO	08-0302202	3.50
PIN, LIBERATOR	08-0302258	3.50
PIN, MILLIPEDE	08-0302257	3.50
PIN, MISSILE COMMAND	08-0302203	3.50
PIN, POLE POSITION	08-0302256	3.50
PIN, SPACE DUEL	08-0302198	3.50
PIN, SPRING HANDLE	040244-01	2.16
PIN, TEMPEST	08-0302201	3.50
PIN, XEVIOUS	08-0302280	3.50
PIVOT PIN	039236-01	9.22
PIVOT SHAFT ASSY	A038839-01	20.40
PIVOT SHAFT&HARNES	A036277-01	38.98
PLATE BASE	033355-01	6.48

PRINT DATE: 07/29/83

ATARI, INC.
 COIN-OPERATED GAMES DIVISION
 CUSTOMER SERVICE

 ***** SERVICE PARTS PRICE LIST *****

PART DESCRIPTION	PART NUMBER	PRICE
PLATE COVER	033357-01	7.68
PLATE COVER	035928-01	6.00
PLATE FOOT PEDAL	039379-01	23.56
PLATE MOUNTING	036954-01	1.20
PLATE ON/OFF	040036-01	10.70
PLATE SLIDE	036963-01	2.30
PLATE SQUARE CONTROL	036953-01	1.20
PLATE SWITCH MOUNTIN	99-080034	2.40
PLATE TOP	99-080035	3.60
PLATE TOP TRACKBALL	033356-01	8.74
PLEX SKYDIVER	032849-01	29.86
PLUNG FLIP BUT ASSY	99-080007	.48
PLUNGER ASSY NYLON	A021391-01	4.70
PLYSLCT PNL, FOOTBALL	035328-01	11.16
POST ADJUSTABLE	033364-01	7.30
POST CORNER	033358-01	13.10
POST END	033359-01	10.36
POST STANDOFF	033363-01	1.92
POT	007903-01	13.68
POT	99-010076	3.60
POT DUAL VOLUMN CONT	119006-103	4.92

PRINT DATE: 07/29/83

ATARI, INC.
 COIN-OPERATED GAMES DIVISION
 CUSTOMER SERVICE

 ***** SERVICE PARTS PRICE LIST *****

PART DESCRIPTION	PART NUMBER	PRICE
POT FOCUS	99-150606	15.56
POT H-HOLD	99-150604	1.68
POT SCREEN	99-150601	3.64
POT 1K OHM	119003-102	2.40
POT 1K OHM	19-315102	1.10
POT 1MEG BOURNS 3352	19-315105	1.12
POT 10K OHM	19-315103	1.44
POT 100K	99-120330	.82
POT 100K BOURNS 335	19-315104	1.18
POT 2K OHM	119002-202	1.32
POT 20K OH	119002-203	1.32
POT 20K OHM	99-160407	.36
POT 200 OHM	19-315201	1.30
POT 25K	99-130507	1.38
POT 5K	19-9022	8.92
POT 5K OHM	19-9037	.60
POT 5K OHM	99-150599	1.96
POT 5K SLIP	19-9011	9.50
POT 5K 91V BECKMAN	19-315502	1.10
POT 50K BOURNS 3352V	19-315503	1.12
POT 500 +B	99-150605	1.54
POTENTIOMETER 5K CLH	19-9026	7.36

PRINT DATE: 07/29/83

ATARI, INC.
 COIN-OPERATED GAMES DIVISION
 CUSTOMER SERVICE

 ***** SERVICE PARTS PRICE LIST *****

PART DESCRIPTION	PART NUMBER	PRICE
POWER CORD ASSY	A040586-01	4.70
POWER CORD ON OFF AS	A040587-01	19.44
POWER SHORTING PLUG	A039270-01	2.02
POWER SUPPLY ASY 120	A037671-01	244.52
POWER SUPPLY CABLE	99-130469	11.98
PROFIT POWER BOOK	08-0302080	6.00
PROM 27128 STAR WAR	136021-114	70.00
PROM 2716 ASTEROIDS	035144-04E	36.00
PROM 2716 ASTEROIDS	035145-04E	36.00
PROM 2716 DLAST FAST	036431-01E	36.00
PROM 2716 DLX ASTERD	036432-01E	36.00
PROM 2716 DXAST FAST	036433-02E	36.00
PROM 37-82S129,TEMP	136002-129	21.36
PROM 37-82S129,TEMP	136002-130	21.36
PROM 37-82S129,TEMP	136002-131	21.36
PROM 37-82S129,TEMP	136002-132	21.36
PROM 74LS125 BUFFER	137317-001	.76
PROM 82S115 RT-8 CAR	003186-01	54.30
PROM 82S123	136007-113	17.40
PROM 82S123 GRAV/BWD	136010-112	17.40
PROM 82S123 MSSL CMD	035826-01	6.60
PROM 82S123 POLE PDS	136014-135	17.40

PRINT DATE: 07/29/83

ATARI, INC.
 COIN-OPERATED GAMES DIVISION
 CUSTOMER SERVICE

 ***** SERVICE PARTS PRICE LIST *****

PART DESCRIPTION	PART NUMBER	PRICE
PROM 82S123 POLE POS	136014-136	17.40
PRGM 82S123 SPRINT 1	006401-01	17.40
PROM 82S123 TEMPEST	136002-126	21.36
PROM 82S129	136007-109	21.36
PRGM 82S129	136007-110	21.36
PROM 82S129	136007-111	21.36
PROM 82S129	136007-112	21.36
PROM 82S129 BATLZONE	036408-01	21.36
PROM 82S129 CRYSTAL	136022-108	21.36
PROM 82S129 CRYSTAL	136022-109	21.36
PROM 82S129 CRYSTAL	136022-110	21.36
PROM 82S129 CRYSTAL	136022-111	21.36
PROM 82S129 LIBERATO	136012-121	21.36
PROM 82S129 LIBERATO	136012-122	21.36
PROM 82S129 LIBERATO	136012-123	21.36
PROM 82S129 LIBERATO	136012-124	21.36
PROM 82S129 LIBERATO	136012-125	21.36
PROM 82S129 LIBERATO	136012-126	21.36
PROM 82S129 POLE POS	136014-117	21.36
PROM 82S129 POLE POS	136014-118	21.36
PROM 82S129 POLE POS	136014-137	21.36
PROM 82S129 POLE POS	136014-138	21.36

PRINT DATE: 07/29/83

ATARI, INC.
COIN-OPERATED GAMES DIVISION
CUSTOMER SERVICE

***** SERVICE PARTS PRICE LIST *****

PART DESCRIPTION	PART NUMBER	PRICE
PROM 82S129 POLE POS	136014-139	21.36
PROM 82S129 POLE POS	136014-140	21.36
PROM 82S129 POLE POS	136014-141	21.36
PROM 82S129 POLE POS	136014-142	21.36
PROM 82S129 POLE POS	136014-143	21.36
PROM 82S129 POLE POS	136014-144	21.36
PROM 82S129 SPRINT 1	006400-01	21.36
PROM 82S129 STARWARS	136021-109	21.36
PROM 82S129 TEMPEST	136002-125	21.36
PROM 82S129 TEMPEST	136002-127	21.36
PROM 82S129 TEMPEST	136002-128	21.36
PROM 82S129 VID.COM.	034602-01	21.36
PROM 82S129 XEVIQUS	136018-115	21.36
PROM 82S129 XEVIQUS	136018-116	21.36
PROM 82S129 XEVIQUS	136018-117	21.36
PROM 82S129 XEVIQUS	136018-128	21.36
PROM 82S129 XEVIQUS	136018-129	21.36
PROM 82S129, CENTIPE	136001-213	21.36
PROM 82S131 AIRBORNE	020252-01	21.00
PROM 82S131 ASTEROID	035904-01	21.00
PROM 82S131 ASTEROID	035905-01	21.00
PROM 82S131 SPRINT	006396-01	21.00

PRINT DATE: 07/29/83

ATARI INC.
COIN-OPERATED GAMES DIVISION
CUSTOMER SERVICE

***** SERVICE PARTS PRICE LIST *****

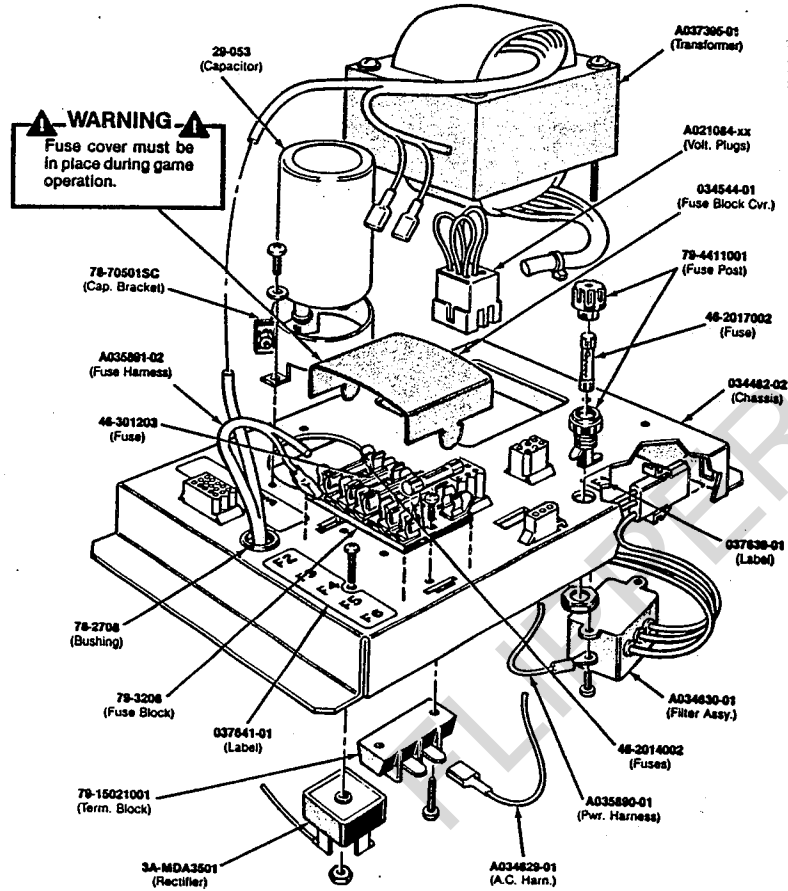
PART DESCRIPTION	PART NUMBER	PRICE
PROM 82S131 SPRINT	006397-01	21.00
PROM 82S131 XEVIDIOUS	136018-111	21.00
PROM 82S131 XEVIDIOUS	136018-112	21.00
PROM 82S131 XEVIDIOUS	136018-113	21.00
PROM 82S131 XEVIDIOUS	136018-114	21.00
PROM 82S137 BSKTBALL	034782-01	33.60
PROM 82S137 DOMINOS	007756-01	33.60
PROM 82S137 FTBALL	033722-02	33.60
PROM 82S137 FTBALL	033726-01	33.60
PROM 82S137 LUN LAND	034587-01	33.60
PROM 82S137 POLE POS	136014-145	33.60
PROM 82S137 POLE POS	136014-146	33.60
PROM 82S137 SPRINT	006392-01	33.60
PROM 82S137 SPRINT	006393-01	33.60
PROM 82S137 SPRINT	006394-01	33.60
PROM 82S137 SPRINT	006395-01	33.60
PROM 82S137 SPRINT 2	006385-02	33.60
PROM 82S137 STARWARS	136021-110	33.60
PROM 82S137 STARWARS	136021-111	33.60
PROM 82S137 STARWARS	136021-112	33.60
PROM 82S137 STARWARS	136021-113	33.60
PROM 82S137 VID PIN	034240-01	33.60

160

PRINT DATE: 07/29/83

ATARI, INC.
COIN-OPERATED GAMES DIVISION
CUSTOMER SERVICE

***** SERVICE PARTS PRICE LIST *****



Color X-Y Power Supply Assembly
A037396-01

PART DESCRIPTION	PART NUMBER	PRICE
PROM 82S137 VID PIN	034250-01	33.60
PROM 82S137 DRAGRACE	008509-01	33.60
PROM 82S185 AVALNCHE	030616-01	68.70
PROM 82S185 BSKTBALL	034760-01	68.70
PROM 82S185 ULTRATNK	030182-01	68.70
PROM 82S23 RT-8 MOT	003187-01	17.40
PROM 8316E DLX AST	036800-01E	36.00
PROM 8316E MIS COMM	035820-02	36.00
PROM 8316E MIS COMM	035821-02	36.00
PROM 8316E MIS COMM	035822-02	36.00
PROM 8316E MIS COMM	035825-02	36.00
PROM 8316E RED BARON	036996-01E	36.00
PULLEY	039238-01	6.96
PWR CORD ASSY	A007813-02	9.98
PWR CORD ASSY	A037453-03	12.20
PWR CORD ASSY CPD	A037453-01	8.14
PWR HARN ASSY PPS	A039246-01	80.54
PWR IN HARNESS	A007444-01	3.12
PWR SUPPLY	A037396-01	225.34
PWR SUPPLY #EP62X4	99-020027	125.82
PWR SUPPLY DOM	A036353-01	215.62
PWR SUPPLY HARNESS	A007481-01	18.86

PRINT DATE: 07/29/83

ATARI, INC.
 COIN-OPERATED GAMES DIVISION
 CUSTOMER SERVICE

 ***** SERVICE PARTS PRICE LIST *****

PART DESCRIPTION	PART NUMBER	PRICE
PWR SUPPLY STARWARS	A037396-04	251.00
PWR SUPPLY XY	A034561-01	190.54
RAINBOW SHRT NVY SM.	08-0302175	24.12
RAINBOW SHRT NVY,LRG	08-0302177	24.12
RAINBOW SHRT NVY,MED	08-0302176	24.12
RAINBOW SHRT NVY,XLG	08-0302178	24.12
RAINBOW VANILLA LG	08-0302061	24.12
RAINBOW VANILLA MED	08-0302060	24.12
RAINBOW VANILLA SM	08-0302059	24.12
RAINBOW VANILLA XLG	08-0302062	24.12
RAM CONVERTR A/D B-B	137243-001	14.68
RAM SYNERTEK 21L02A	90-7014	5.70
RAM 128X 8 STATIC	90-7002	14.70
RAM 16K	100017-001	4.20
RAM 2101A	90-7018	10.74
RAM 2114	90-7033	6.60
RAM 2114	90-7036	12.60
RAM 256 X 1	90-7008	10.40
RAM 256 X 1	90-7035	16.92
RAM 256 X 4 STATIC	90-7019	8.40
RAM 256 X 4 STATIC	90-7031	8.40
RAM 82S25	90-7005	6.00

PRINT DATE: 07/29/83

ATARI, INC.
 COIN-OPERATED GAMES DIVISION
 CUSTOMER SERVICE

 ***** SERVICE PARTS PRICE LIST *****

PART DESCRIPTION	PART NUMBER	PRICE
RECTIFIER BRIDGE	3A-MDA3500	10.52
RECTIFIER BRIDGE	9A-MDA3501	5.92
RECTIFIER BRIDGE	99-120167	8.06
RECTIFIER FAST REC 1	131008-001	9.60
RECTIFIER HV	99-130449	19.54
RECTIFIER 15V,0.8A	131005-003	.74
REGULATOR 2N6050	99-120172	7.92
REGULATOR 2N6057	99-120171	5.48
REJECT CUP, SIDEPLATE	99-15027	8.92
RELAY 48 VDC	43-9002	13.16
RES DIP NETWORK	118003-102	1.66
RES DIP NETWORK	118003-222	1.66
RES MET-OX 1.5K	99-160538	.38
RES NETWORK 2.2	118000-222	2.36
RES NETWORK 2.2	118002-222	1.60
RES NETWORK 220	118000-221	2.36
RES NETWORK 4.7	118001-472	.66
RES NETWORK 4.7	118002-472	.66
RES POSITIVE TC	110012-030	3.12
RES RFACJAO4	99-160558	1.82
RES 1.2 OHM 10%	99-150663	2.16
RES 1.2K OHM 5%	99-150647	1.00

PRINT DATE: 07/29/83

ATARI INC.
COIN-OPERATED GAMES DIVISION
CUSTOMER SERVICE

***** SERVICE PARTS PRICE LIST *****

PART DESCRIPTION	PART NUMBER	PRICE
RES 1.5 OHM NI	99-130547	1.82
RES 1.5K OHM	99-130357	2.16
RES 1A600PIV	99-120351	1.10
RES 13K OHM 1%	99-150652	1.58
RES 2.2K OHM 5%	99-150633	.72
RES 2.7 OHM 2W	99-150618	2.88
RES 200 OHM 5%	99-150664	4.56
RES 3.90HM 15W	99-130365	1.16
RES 32.4K OHM 1	99-150649	1.58
RES 330 OHM 5%	99-150628	10.08
RES 4.7K OHM 5%	99-150634	2.88
RES 56 OHM 5% 2	99-150635	1.16
RES 56K OHM 1W	99-130508	.28
RES 560 OHM 10%	99-130568	2.24
RES 7.5 OHM 5%	99-130527	.86
RESET BAR ASSY MULTI	A020184-01	6.72
RESISTOR,	19-10040001	.44
RESISTOR,.075 OHM 5W	19-851WPO75	1.80
RESISTOR,.220HM 20W	99-160539	1.72
RESISTOR,.33 OHM	19-815CP33	.32
RESISTOR,.47 OHM	99-150212	.48
RESISTOR,.47 OHM 10%	99-150655	2.16

PRINT DATE: '07/29/83

ATARI, INC.
 COIN-OPERATED GAMES DIVISION
 CUSTOMER SERVICE

 ***** SERVICE PARTS PRICE LIST *****

PART DESCRIPTION	PART NUMBER	PRICE
RESISTOR,CARBON	13-5682	.40
RESISTOR,1 OHM	19-100P1015	1.60
RESISTOR,1K OHM	116001-102	.56
RESISTOR,2 OHM 10W	99-130397	2.02
RESISTOR,2.5K 5W	16-5252	1.20
RESISTOR,220 OHM	116000-220	.50
RESISTOR,220OHM 1/2W	99-120260	.68
RESISTOR,3 OHM 7W	99-160543	.92
RESISTOR,3.9 OHM	99-160540	.68
RESISTOR,330HM,2W	13-5390	.40
RESISTOR,4 OHM 5W	116001-040	1.32
RESISTOR,4.7OHM	99-160541	.68
RESISTOR,470 OHM	99-160542	.92
RESISTOR,50 OHM 5W	16-5500	1.52
RESISTOR,68 OHM 2W	13-5680	.38
RESISTOR,7.5K OHM 5W	16-5752	1.58
RESISTOR,75 OHM 5W	16-5750	1.40
RETAINER CANOPY	040456-01	11.04
RETAINER UP REDBARON	037576-01	12.00
RETAINER UPPER	037309-01	7.96
RETAINER,ATTR PANEL,	039345-01	8.26
RETAINER,CANOPY TOP	040529-01	9.74

PRINT DATE: 07/29/83

ATARI INC.
COIN-OPERATED GAMES DIVISION
CUSTOMER SERVICE

***** SERVICE PARTS PRICE LIST *****

PART DESCRIPTION	PART NUMBER	PRICE
RETAINER, LOWER	038505-01	14.40
RETAINER, LOWER PLEX	003053-01	9.84
RETAINER, MARQUE	040369-01	8.16
RETAINER, MARQUE PNL	039848-01	8.16
RETAINER, MONITR SHLD	037731-01	8.64
RETAINER, MTR SHLD, PP	039371-01	13.68
RETAINER, PLEX/SHIELD	037577-01	10.32
RETAINER, SHIELD	039843-01	8.54
RETAINER, SHIELD, LOWR	034516-01	11.04
RETAINER, UPPER	038495-01	8.88
RETAINER, UPPER PLEX	036498-01	9.84
RETAINING PIN	005310-01	8.00
RFI FILTER ASSY	A034630-01	17.62
RIBBON CABLE ASSY.	A038827-01	38.00
RING AND SHAFT ASSY	A004730-01	2.30
RING RETAINING	73-3028	.40
ROCKER SW SNAP IN BE	61-081C	4.36
ROD	002298-01	.48
ROLLER SHAFT	036795-01	8.88
ROM MR ASTEROIDS	035143-02	36.00
ROM MR ASTEROIDS	035144-02	36.00
ROM MR FIRETRUCK	032824-01	36.00

PRINT DATE: 07/29/83

ATARI, INC.
COIN-OPERATED GAMES DIVISION
CUSTOMER SERVICE

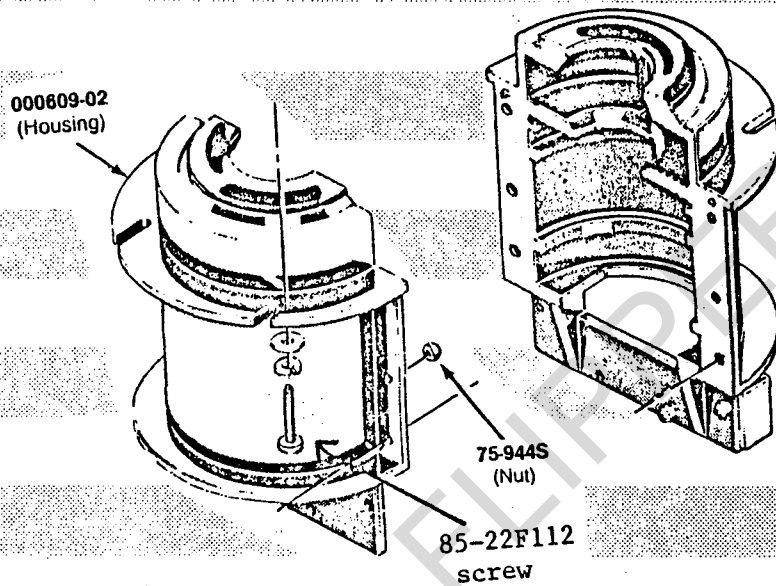
***** SERVICE PARTS PRICE LIST *****

PART DESCRIPTION	PART NUMBER	PRICE
ROM MR FIRETRUCK	032825-02	36.00
ROM MR MIS COMMAND	035821-01	36.00
ROM MR MIS COMMAND	035822-01	36.00
ROM MR MIS COMMAND	035823-01	36.00
ROM MR MIS COMMAND	035824-01	36.00
ROM MR MIS COMMAND	035825-01	36.00
ROM MR POLE POSITION	136014-161	21.60
ROM MR POLE POSITION	136014-162	21.60
ROM MR POLE POSITION	136014-164	21.60
ROM MR SPACE RIDER	020965-01	36.00
ROM MR SPACE RIDER	020966-01	36.00
ROM MR SPRINT 2	006290-01	36.00
ROM 2532 TEMPEST	136002-133	50.00
ROM 2716 MIS COMMAND	035822-03E	36.00
ROM 74186 GT10	90-2001	76.50
ROM 8316 SRRINT 2	006405-02	36.00
ROM 8316E	035823-02	36.00
ROM 8316E	035824-02	36.00
ROM 8316E BATTLEZONE	036409-01	36.00
ROM 8316E BATTLEZONE	036413-01	36.00
ROM 8316E BATTLEZONE	036414-02	36.00
ROM 8316E BATTLEZONE	036421-01	36.00

PRINT DATE: 07/29/83

ATARI, INC.
COIN-OPERATED GAMES DIVISION
CUSTOMER SERVICE

***** SERVICE PARTS PRICE LIST *****

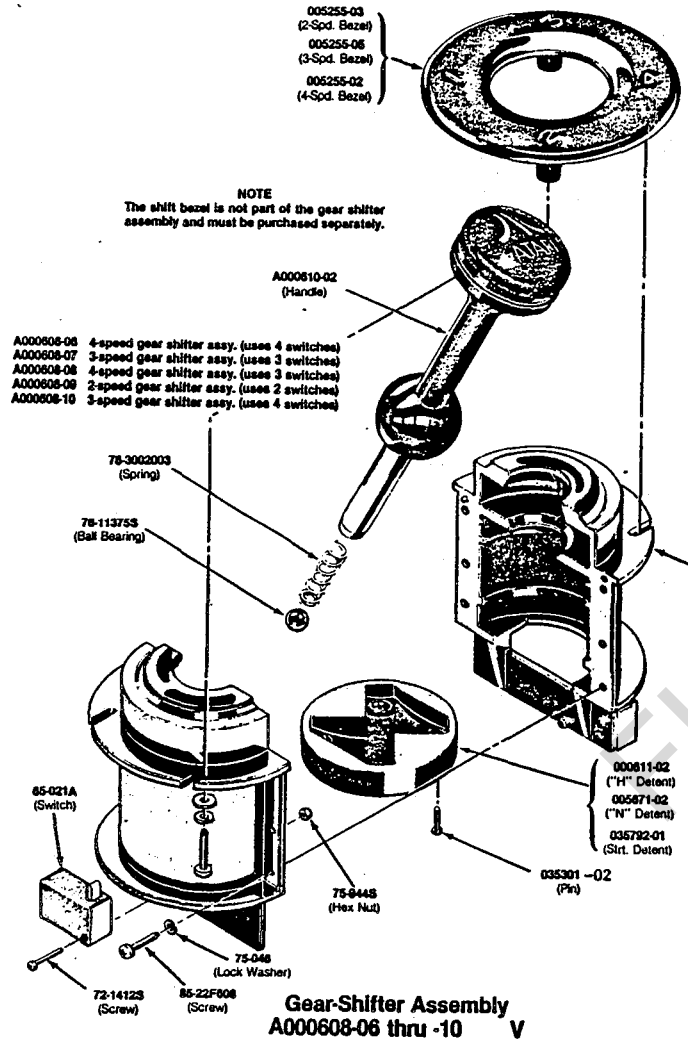


PART DESCRIPTION	PART NUMBER	PRICE
ROM 8316E BATTLEZONE	036422-01	36.00
ROM 8316E WARLORDS	037155-01E	36.00
ROM, MISSILE CMMD (MR)	035820-01	36.00
RUBBER FLOOR MAT	040439-01	16.12
SAFETY TREAD	039241-01	2.20
SCOREPANEL, GAS DISCH	005989-01	60.00
SCR, 15V, .8A	131005-001	.96
SCREW, BIND, 6-32 X .25	75-F60405	.48
SCREW, SOCKET CAP, 6-3	176024-3605	.20
SCRND TARGET (2000)	020385-03	1.48
SHAFT	021154-01	7.24
SHAFT	021225-03	34.00
SHAFT ASSEMBLY	A007367-01	10.12
SHAFT ASSEMBLY	A007480-01	22.56
SHAFT BALL POOLSHARK	A007476-01	6.24
SHAFT CONTROL	038842-01	18.00
SHAFT ENCODER	039233-01	10.32
SHAFT HANDLE	040242-01	39.84
SHAFT IDLER MID TB	038042-01	6.76
SHAFT IDLER MINI	036193-01	8.16
SHAFT PIVOT ASSY	A036278-01	36.34
SHAFT PIVOT BZ	036280-01	32.06

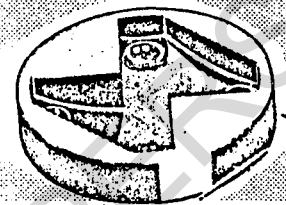
ATARI, INC.
 COIN-OPERATED GAMES DIVISION
 CUSTOMER SERVICE

 ***** SERVICE PARTS PRICE LIST *****

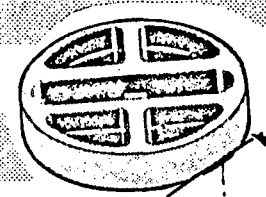
PART DESCRIPTION PART NUMBER PRICE



78-13003 (Lubricant—Not Shown)



000611-02 ("H" Detent)
 005671-02 ("N" Detent)
 035792-01 (Strt. Detent)



035792-01 (Detent)

035844-01

SHAFT RESET BAR	020061-01	1.30
SHAFT ROLLER	033362-01	16.56
SHAFT ROLLER	035931-01	9.12
SHAFT ROLLER MID TB	038041-01	8.56
SHAFT STEERING	040234-01	17.04
SHAFT TAPPED	000606-02	4.42
SHIELD & GLIDE EMI	A040302-01	81.36
SHIELD BD & FAS ASSY	A039502-01	91.72
SHIELD, SPKR GRILLE	040118-01	5.42
SHIELD, STATIC	040376-01	2.62
SHIELD, STATIC	040376-02	1.86
SHIFT ASSEMBLY	A007547-01	82.56
** SHIFT BEZEL BLANK	005255-04	4.80
** SHIFT BEZEL R-1-2-3	005255-05	3.76
** SHIFT BEZEL 1-2-3-4	005255-02	5.90
SHIFT DETENT H-PATT.	000611-02	4.32
SHIFT DETENT N-PATT.	005671-02	2.78
SHIFT DETENT ST.PATT	035792-01	3.12
* SHIFT HOUSING	000609-02	5.16
SHIFT REINFORCED	A000608-06	33.08
SHIFT REINFORCED	A000608-07	33.08
SHIFT REINFORCED	A000608-08	33.08

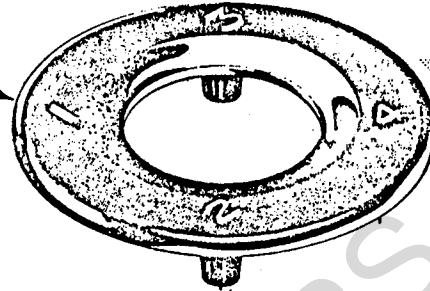
* See Page 167 for 000609-02 Shift Housing

** See Page 169 for 005255-02,-04 & -05 Shift Bezel

ATARI, INC.
 COIN-OPERATED GAMES DIVISION
 CUSTOMER SERVICE

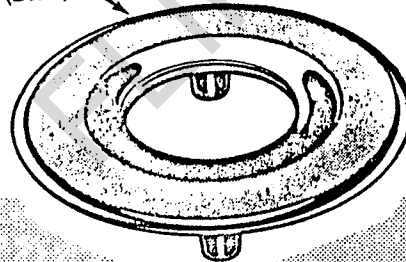
 ***** SERVICE PARTS PRICE LIST *****

005255-03
 (2-Spd. Bezel)
 005255-05
 (3-Spd. Bezel)
 005255-02
 (4-Spd. Bezel)



NOTE
 The shift bezel is not part of the gear shifter assembly and must be purchased separately.

005255-04
 (Bezel)



PART DESCRIPTION	PART NUMBER	PRICE
SHIMMAL, OXFORD, LARGE	08-0302232	6.24
SHIMMAL, OXFORD, MED	08-0302231	6.24
SHIMMAL, OXFORD, SMALL	08-0302230	6.24
SHIMMAL, OXFORD, XLARG	08-0302233	6.24
SHIRT POLO LAV LARGE	08-0302224	26.28
SHIRT POLO LAV MED	08-0302223	26.28
SHIRT POLO LAV SMALL	08-0302222	26.28
SHIRT POLO LAV XLRG	08-0302225	26.28
SHIRT POLO LAV XSM	08-0302221	26.28
SHIRT POLO YELLOW LG	08-0302219	26.28
SHIRT POLO YELLOW MD	08-0302218	26.28
SHIRT POLO YELLOW SM	08-0302217	26.28
SHIRT POLO YELLOW XL	08-0302220	26.28
SHIRT POLO YELLOW XS	08-0302216	26.28
SHLD BD/FASTEN ASSY	A039579-01	94.06
SHORTING BLOCK HARNE	A007481-02	12.52
SIDE R DECAL BLKWD	039978-02	110.16
SLAM SWITCH ASSEMBLY	A007638-01	6.04
SLING SHOT ARM ASSY	A006007-01	3.16
SLOTTED YOKE	004756-01	.86
SOCKET CRT	99-120246	7.10
SOCKET CRT	99-130532	11.78

PRINT DATE: 07/29/83

ATARI, INC.
 COIN-OPERATED GAMES DIVISION
 CUSTOMER SERVICE

 ***** SERVICE PARTS PRICE LIST *****

PART DESCRIPTION	PART NUMBER	PRICE
SOCKET IC 22CNTAC	79-42C22	1.48
SOCKET IC 40 CKTS	79-42C40	2.88
SOCKET IC 42CKT	79-42C42	2.90
SOCKET LAMP T-3-1/4	79-4312	.38
SOCKET LAMP WEDGE BA	179047-001	.62
SOCKET LAMP 2-PIN	179035-001	1.06
SOCKET MINI BAY LAMP	99-10080	1.88
SOCKET TRANSISTOR	99-130497	1.08
SOCKET 16 PIN	79-42C16	1.00
SOCKET 18 PIN	79-42C18	1.16
SOCKET 20PIN	79-42C20	1.58
SOCKET 24PIN	79-42C24	1.78
SOCKET 28 PIN	79-42C28	1.64
SOCKET, LAMP, WEDGE BA	179173-001	.60
SOLENOID 110V	44-1004	18.04
SOLENOID 120V 60HZ	44-1006	80.00
SPACER	033365-01	1.32
SPACER	037873-01	2.00
SPACER	039232-01	1.30
SPACER SHIELD LEFT	037539-02	11.52
SPACER SHIELD RIGHT	037539-03	11.52
SPACER SHIFTER	039132-01	1.30

PRINT DATE: 07/29/83

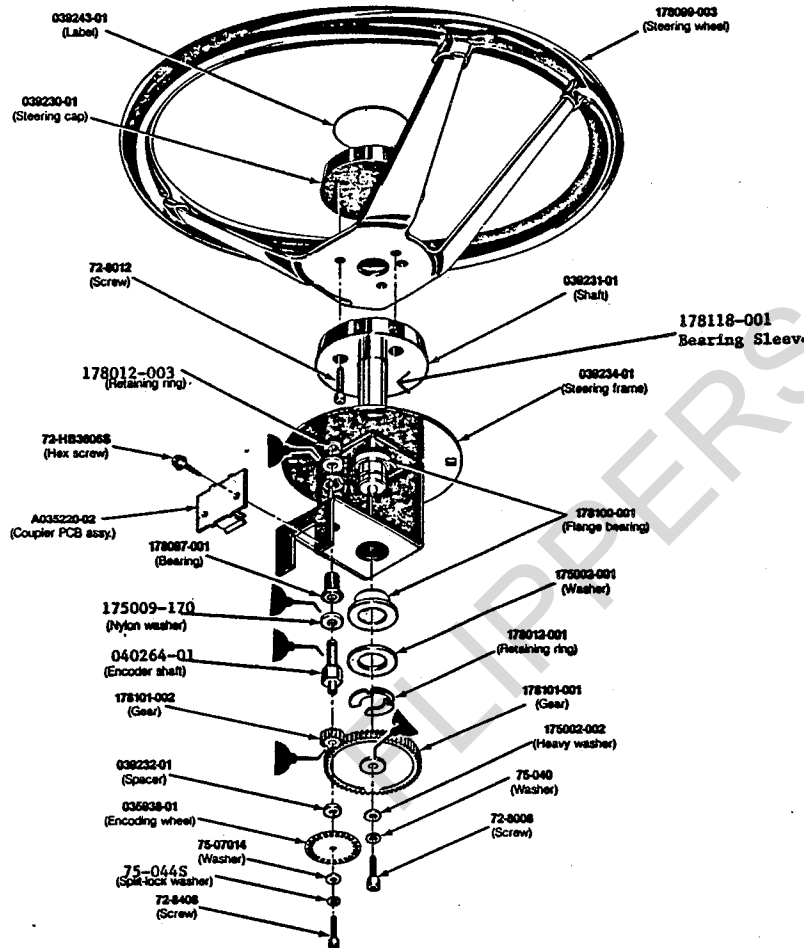
ATARI, INC.
 COIN-OPERATED GAMES DIVISION
 CUSTOMER SERVICE

 ***** SERVICE PARTS PRICE LIST *****

PART DESCRIPTION	PART NUMBER	PRICE
SPACER SHIFTER	039154-01	3.08
SPEAKER GP 6X9,40HM	148001-013	15.74
SPEAKER GP 6X9,80HM	148001-017	15.74
SPEAKER GRILL	005419-02	5.04
SPEAKER GRILLE	039144-01	7.58
SPEAKER PANEL ASY SW	A040451-01	70.70
SPEAKER SEAT PANEL	040449-01	2.28
SPEAKER 5*80HM,5W	48-004	5.80
SPEAKER 6X9 40HM 15W	148001-001	19.60
SPEAKER 8*80HM,8W	48-009	12.00
SPEAKR & LITE PANEL	A038504-01	128.84
SPKR/GRILLE & DECAL	A040108-01	117.16
SPRING ACTUATOR BZ	036282-01	1.20
SPRING BALL SHOOTER	021521-01	9.84
SPRING BUTTON	99-15052	1.16
SPRING COMPRESSION	040252-01	.20
SPRING EXT FOOT PEDL	039704-01	1.32
SPRING EXTENSN CABLE	039703-01	1.02
SPRING MULTIPLE DROP	020065-01	.20
SPRING RETURN	002302-01	4.08
SPRING STAINLESS STE	78-3002041	1.30

ATARI, INC.
 COIN-OPERATED GAMES DIVISION
 CUSTOMER SERVICE

 ***** SERVICE PARTS PRICE LIST *****



Steering-Wheel Control Assembly
 A039229-01 C

PART DESCRIPTION PART NUMBER PRICE

SPRING 1 3/8"	78-3001033	.34
STANDOFF	035932-01	3.20
STARTER	99-11003	.86
STATIC SHIELD	038184-01	1.30
STEERING ASSY.	A039229-01	243.62
STEERING COVER	040248-01	9.60
STEERING COVER&DECAL	A040251-01	16.18
STEERING HOUSING	000605-01	5.28
STEERING SHAFT	039231-01	44.64
STEERING WHEEL 10"	78-40104	27.60
STEERING WHEEL, 12"	178099-003	49.96
STIFFENER-THUM/BUMP	021860-01	.72
STOP, HANDLE LUN. LNR	034484-01	5.28
STUD, PIVOT	99-15054	1.06
SUSPENSION ARM	99-090084	3.16
SWEATER VNECK BUR MD	08-0302213	36.00
SWEATER VNECK BUR XL	08-0302215	36.00
SWEATER VNECK BURG L	08-0302214	36.00
SWEATER VNECK BURG S	08-0302212	36.00
SWEATER VNECK CREM L	08-0302210	36.00
SWEATER VNECK CREM M	08-0302209	36.00
SWEATER VNECK CRM SM	08-0302208	36.00

PRINT DATE: 07/29/83

ATARI, INC.
 COIN-OPERATED GAMES DIVISION
 CUSTOMER SERVICE

 ***** SERVICE PARTS PRICE LIST *****

PART DESCRIPTION	PART NUMBER	PRICE
SWEATER VNECK CRM XL	08-0302211	36.00
SWITCH	65-191C	2.76
SWITCH ADJUSTER	99-15075	2.88
SWITCH BRACKET ASSY	A007534-01	6.96
SWITCH CHERRY	65-391C	2.54
SWITCH CHERRY I8	65-071C	4.22
SWITCH DIP 4 X SPST	66-114P1T	2.44
SWITCH DIP 8X SPST	66-118P1T	2.68
SWITCH FLIPER BUTTON	A020931-01	2.98
SWITCH FLIPPER BUTTN	O20893-01	3.16
SWITCH GRAYHILL #46	62-003	6.72
SWITCH INTERLOCK	68-002	5.82
SWITCH L FLIPPER SOL	O20923-01	2.54
SWITCH LEAF CROSS-BA	99-080025	1.70
SWITCH LEAF CROSSPT	160012-001	2.08
SWITCH LED WITH NUT	62-039	9.64
SWITCH MICRO	O07859-01	6.82
SWITCH MICRO	65-451C	4.50
SWITCH NO WIRE .25#	65-441C	5.52
SWITCH ON-OFF	A034631-01	5.24
SWITCH ON/OFF	A040699-01	22.84
SWITCH ON/OFF ASSY	A037470-01	4.86

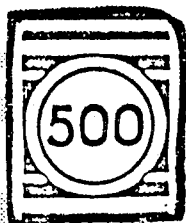
PRINT DATE: 07/29/83

ATARI, INC.
 COIN-OPERATED GAMES DIVISION
 CUSTOMER SERVICE

 ***** SERVICE PARTS PRICE LIST *****

PART DESCRIPTION	PART NUMBER	PRICE
SWITCH OUTHOLE KICK	020999-01	1.92
SWITCH PB SPDT	62-041	5.04
SWITCH PB SPST	62-001	2.50
SWITCH PB SPST	62-043	5.24
SWITCH PLATE	99-15029	6.20
SWITCH PUSH BUTTON	62-002	9.64
SWITCH PUSHBUTTON	62-009	5.86
SWITCH R FLIPPER SOL	020923-02	2.54
SWITCH SLAM	99-10071	3.46
SWITCH SLIDE SLFTST	69-001	1.06
SWITCH SNAP SPDT	160026-001	3.36
SWITCH SNAP SPDT	65-011C	3.12
SWITCH SNAP SPDT W/A	160023-001	5.52
SWITCH SNAP SPST	65-021A	2.88
SWITCH SPDT .1A	62-020	3.32
SWITCH STACKPOLE	64-01010301	11.16
SWITCH TEST	99-10072	7.82
SWITCH TOGGLE	99-10095	6.86
SWITCH TOGGLE DPST	61-162A	4.04
SWITCH WIRE 5F/25#	99-10042	4.80
SWITCH 25#	99-15042	5.80
SWTSHRT, HOOD NVY MED	08-0302136	32.40

ATARI INC.
COIN-OPERATED GAMES DIVISION
CUSTOMER SERVICE



PART DESCRIPTION	PART NUMBER	PRICE
SWTSHRT, HOOD Nvy SML	08-0302135	32.40
SWTSHRT, HOOD, Nvy LRG	08-0302137	32.40
SWTSHRT, PULLOVER LRG	08-0302141	21.86
SWTSHRT, PULLOVER SML	08-0302139	21.86
SWTSHRT, PULLOVR XLRG	08-0302142	21.86
SWTSHRT, PULLOVR, MED	08-0302140	21.86
SWTSRT HOOD LTBLU LG	08-0302166	32.40
SWTSRT HOOD LTBLU MD	08-0302165	32.40
SWTSRT HOOD LTBLU SM	08-0302164	32.40
SWTSRT HOOD LTBLU XL	08-0302167	32.40
T-MOLD BLACK 1"	178034-032	.98
T-MOLD 1 1/2 GROOVED	178127-024	.52
TABLE TOP WOOD CKT	038365-01	74.76
TACHOMETER	005418-01	42.10
TAPE QUIZSHOW 2KQUES	A005191-01	20.00
TARGET SUPERMAN 1000	020385-04	1.48
TARGET SW. ASY WHITE	A020982-09	7.10
TARGET, SCRND (500)	020385-01	1.48
TERM, PIN, 30-24 AWG	79-20145	.48
TEST SWITCH BRACKET	020386-01	2.06
THE BOOK	TM-129	39.00

DROP TARGETS

020385-01 = 500

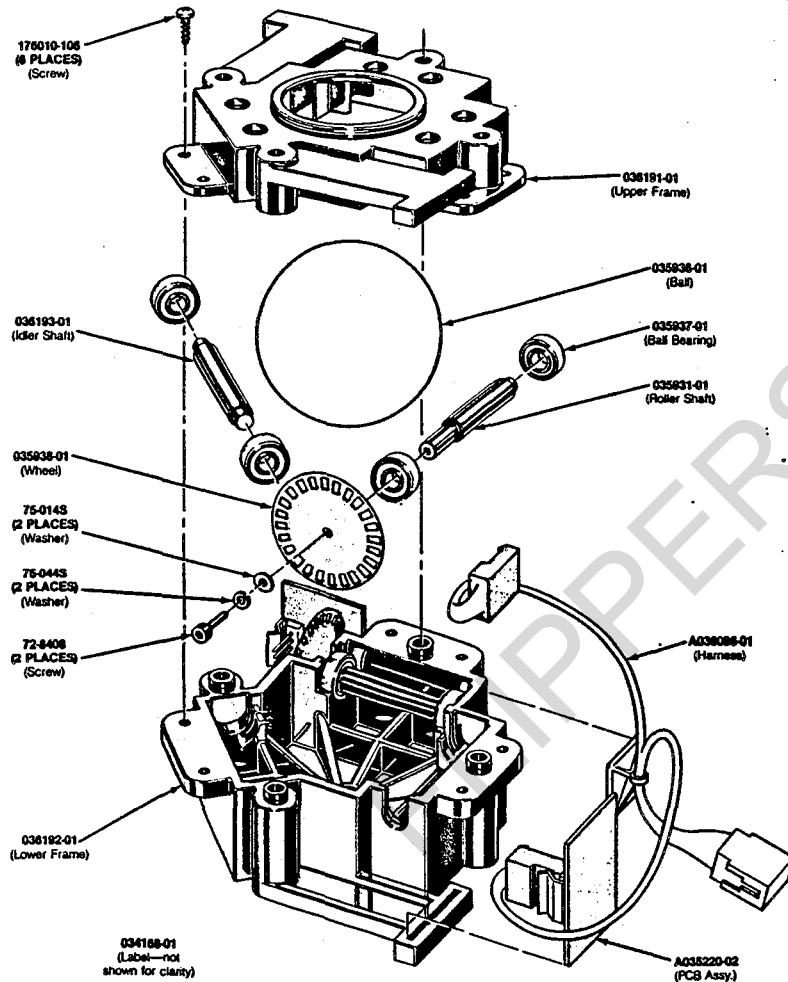
020385-03 = 2,000

020385-04 = 1,000

Blank test plug kit for the PAT 9000 see page 75

ATARI, INC.
COIN-OPERATED GAMES DIVISION
CUSTOMER SERVICE

***** SERVICE PARTS PRICE LIST *****



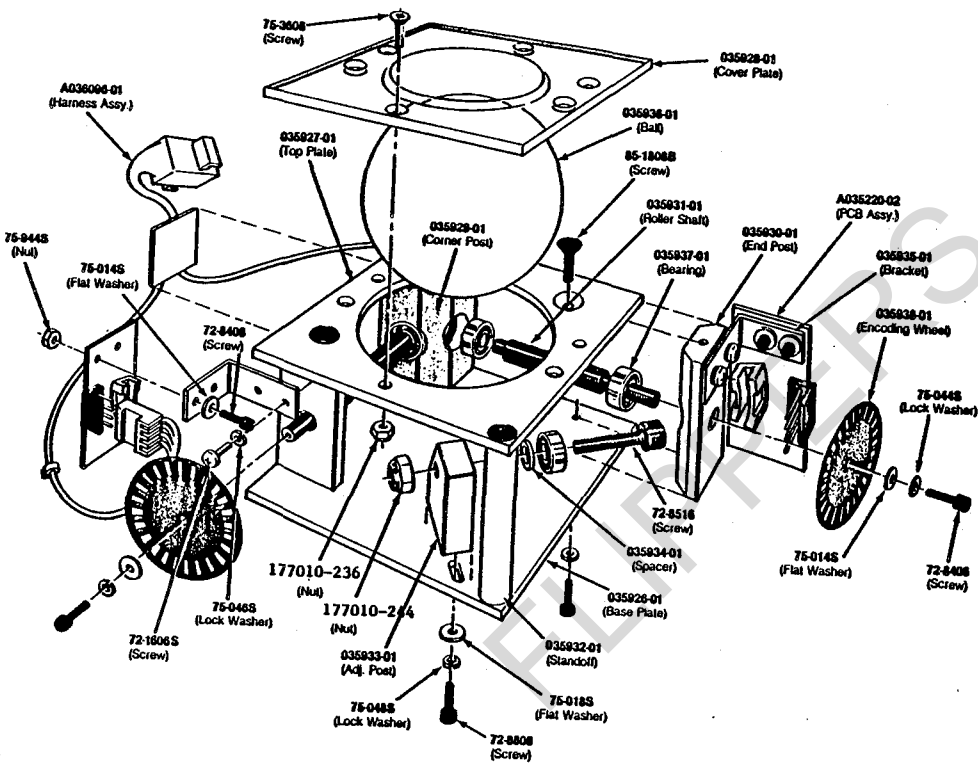
Mini-Trak Ball™ Assembly
A036190-01 A

* See page 179 for A033360-01 Large Trackball assy.
** See page 178 for A038038-02 Midi Trackball assy.
*** See page 177 for A035940-01 Mini Trackball assy.

PART DESCRIPTION	PART NUMBER	PRICE
THERMISTOR, PTC	99-130550	9.16
THRUST CONTROL ASSEM	A007378-01	38.92
THUMPER BUMPER BODY	A020115-01	10.64
THUMPER BUMPER BODY	006065-01	.24
TOP DOOR, OV/UNDER #2	99-10139	48.00
TRACK SPUR GEAR (8 T	007658-01	5.76
* TRACKBALL ASY LGE	A033360-01	251.72
** TRACKBALL ASY MIDI	A038038-02	164.78
*** TRACKBALL ASY MINI	A035940-01	199.06
TRACKBALL ASY MINI	A036190-01	127.00
TRANS, NPN HV	133014-001	5.40
TRANSFORMER	001551-02	70.76
TRANSFORMER	99-010117	95.80
TRANSFORMER	99-120282	4.90
TRANSFORMER	99-150594	110.60
TRANSFORMER COLOR XY	A037395-01	114.48
TRANSFORMER COLOR XY	A037395-02	114.48
TRANSFORMER DRIVER	A201008-01	2.12
TRANSFORMER DRIVER	A201040-01	4.56
TRANSFORMER EHT	99-120377	53.28
TRANSFORMER FB**MFG#	99-160011	43.54
TRANSFORMER FLYBACK	99-120470	79.68

ATARI, INC.
 COIN-OPERATED GAMES DIVISION
 CUSTOMER SERVICE

 ***** SERVICE PARTS PRICE LIST *****

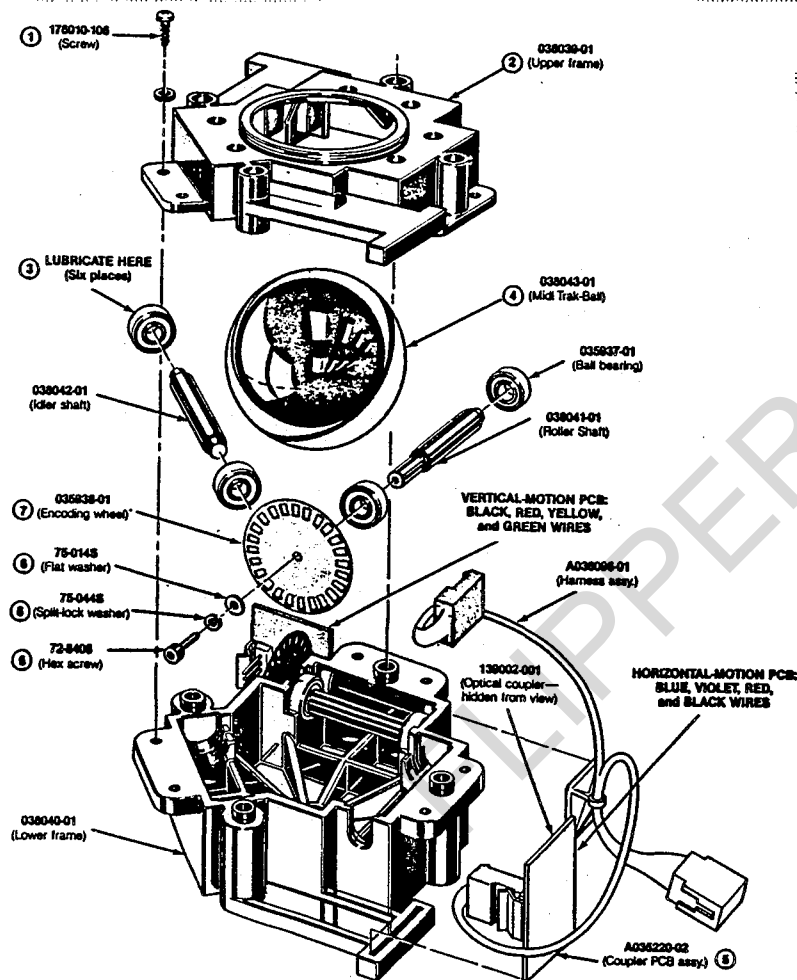


Mini-Trak Ball™ Assembly
 A035940-01 A

PART DESCRIPTION	PART NUMBER	PRICE
TRANSFORMER FLYBACK	99-160508	58.28
TRANSFORMER H DRIVE	99-150593	9.12
TRANSFORMER HARNESS	A036098-01	127.16
TRANSFORMER HI VOLT	A201005-01	44.78
TRANSFORMER HI VOLT	A201038-01	66.58
TRANSFORMER HI VOLT	99-120139	111.12
TRANSFORMER HI VOLT	99-130455	77.76
TRANSFORMER HI VOLT	99-130516	129.60
TRANSFORMER HORIZ	99-120281	2.36
TRANSFORMER LEAD ASY	99-130517	9.72
TRANSFORMER PINCUSIN	99-150595	8.74
TRANSFORMER PWR ASSY	A006886-01	85.88
TRANSFORMER PWR SPLY	A034623-01	94.12
TRANSFORMER PWR SPLY	A034623-02	115.00
TRANSFORMER PWR SPLY	A034623-03	125.86
TRANSFORMER TERM	A035888-01	117.60
TRANSFORMER TERM DOM	A036354-01	101.28
TRANSFORMER 53X0474	99-130046	72.40
TRANSFORMER 53X0475	99-130045	54.64
TRANSFORMER HHR DRIVE	99-130049	12.60
TRANSISTOR PNP40V	33-2N5193	2.68
TRANSISTOR,BU207	99-130122	14.74

ATARI, INC.
COIN-OPERATED GAMES DIVISION
CUSTOMER SERVICE

***** SERVICE PARTS PRICE LIST *****

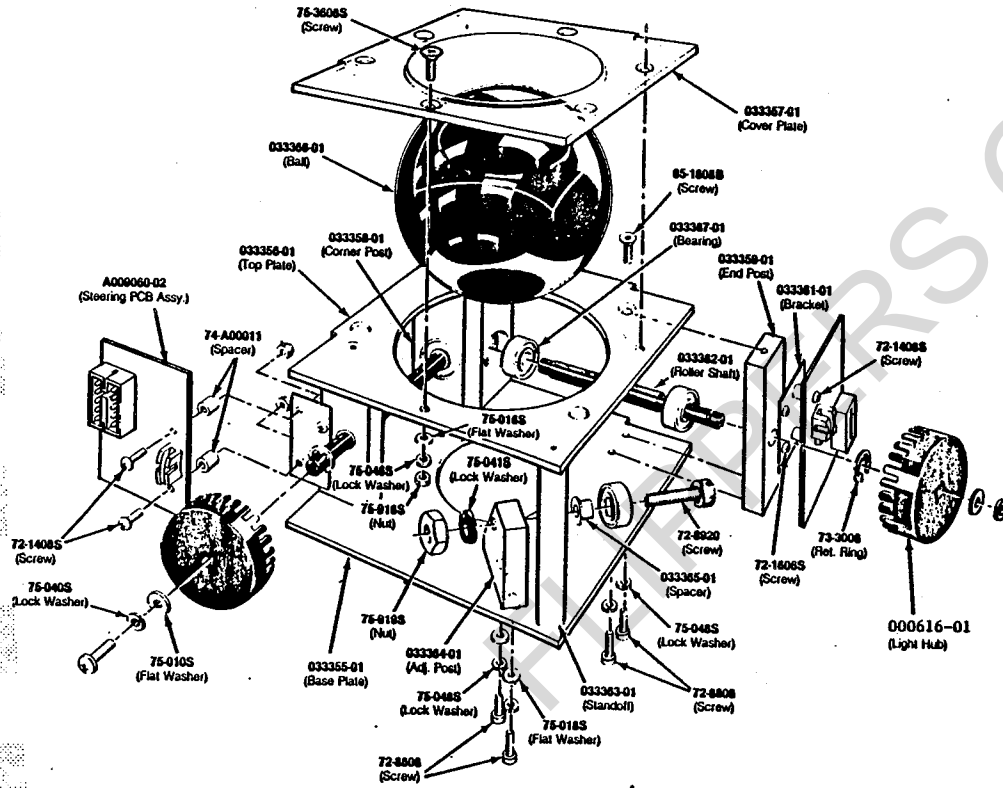


Midi Trak-Ball™ Assembly
A038038-01 A

PART DESCRIPTION	PART NUMBER	PRICE
TRANSISTOR, BU208	99-120036	10.08
TRANSISTOR, BU406 NPN	133005-001	4.52
TRANSISTOR, BU409	99-130446	7.56
TRANSISTOR, MJE200	34-MJE200	1.60
TRANSISTOR, MJE51T	99-120158	5.18
TRANSISTOR, MJ205	99-070007	24.24
TRANSISTOR, MPSA06S	34-MPSA06S	.34
TRANSISTOR, MPSA20	99-130359	1.44
TRANSISTOR, MPSA56	99-130134	1.44
TRANSISTOR, MPSA70	99-130133	2.20
TRANSISTOR, MPSU03	99-120109	2.78
TRANSISTOR, MPSU07	133003-001	1.10
TRANSISTOR, NPN	99-160012	2.68
TRANSISTOR, NPN	99-160013	5.32
TRANSISTOR, NPN	99-160603	2.08
TRANSISTOR, NPN POWER	133012-001	3.48
TRANSISTOR, NPN 2N4	34-2N4401	.80
TRANSISTOR, NPN 225V	133009-001	1.16
TRANSISTOR, NPN, TIS98	99-130412	.86
TRANSISTOR, NPN, 2SA94	99-160579	2.50
TRANSISTOR, NPN, 30V	34-2N3643	.36
TRANSISTOR, NPN, 300V	34-MPSA42	.44

ATARI, INC.
COIN-OPERATED GAMES DIVISION
CUSTOMER SERVICE

***** SERVICE PARTS PRICE LIST *****



Trak Ball™ Assembly
A033360-01 H

PART DESCRIPTION	PART NUMBER	PRICE
TRANSISTOR, NPN, 50V, 4	133010-001	1.10
TRANSISTOR, PNP HV	133013-001	.44
TRANSISTOR, PNP 300V	33-MPSA92	.48
TRANSISTOR, PNP, MPSU5	133008-001	1.10
TRANSISTOR, PNP, 25V	33-2N3644	.36
TRANSISTOR, POWER, PNP	33-SJE783	1.16
TRANSISTOR, POWER, PNP	33-TIP32	1.00
TRANSISTOR, POWER, PNP	33-2N5883	4.24
TRANSISTOR, PWR, NPN	34-2N5190	1.24
TRANSISTOR, TIP31B	99-120159	1.54
TRANSISTOR, 2N3055	34-2N3055	2.28
TRANSISTOR, 2N3716	133006-001	2.12
TRANSISTOR, 2N3792	133007-001	4.80
TRANSISTOR, 2N3904	34-2N3904	.24
TRANSISTOR, 2N3904 WG	99-130509	1.42
TRANSISTOR, 2N3906	33-2N3906	.22
TRANSISTOR, 2N4237	34-2N4237	2.60
TRANSISTOR, 2N5777	38-2N5777	.88
TRANSISTOR, 2N6557	99-130132	7.58
TRANSISTOR, 2SA673	99-120418	.76
TRANSISTOR, 2SC1106	99-120214	7.58
TRANSISTOR, 2SC1226	99-150564	3.36

PRINT DATE: 07/29/83

ATARI, INC.
COIN-OPERATED GAMES DIVISION
CUSTOMER SERVICE

***** SERVICE PARTS PRICE LIST *****

PART DESCRIPTION	PART NUMBER	PRICE
TRANSISTOR, 2SC1473	99-150569	2.02
TRANSISTOR, 2SC1629	99-150018	11.14
TRANSISTOR, 2SC1683	99-150562	5.66
TRANSISTOR, 2SC1685	99-150019	3.60
TRANSISTOR, 2SC1890	99-120290	.62
TRANSISTOR, 2SC1905	99-150016	.96
TRANSISTOR, 2SC2068	99-130337	4.76
TRANSISTOR, 2SC2073	99-160578	2.50
TRANSISTOR, 2SC2371	99-120287	1.54
TRANSISTOR, 2SC2551	99-160580	.96
TRANSISTOR, 2SC2610	99-120419	1.40
TRANSISTOR, 2SC2611	99-120245	1.54
TRANSISTOR, 2SC2688	99-120289	1.54
TRANSISTOR, 2SC2923RL	99-150560	2.16
TRANSISTOR, 2SC564	99-150014	2.06
TRANSISTOR, 2SD1090	99-160469	5.14
TRANSISTOR, 2SD478	99-120286	2.88
TRANSISTOR, 2SD649	99-150017	7.20
TRANSISTOR, 2SD692	99-150568	8.74
TRANSISTOR, 2SD869	99-160465	6.62
TRANSISTOR, 2SD870	99-120429	9.60
TRANSISTOR, 48-137172	99-010021	2.00

PRINT DATE: 07/29/83

ATARI, INC.
COIN-OPERATED GAMES DIVISION
CUSTOMER SERVICE

***** SERVICE PARTS PRICE LIST *****

PART DESCRIPTION	PART NUMBER	PRICE
TRANSISTOR, 48-137368	99-010028	21.12
TRANSISTOR, 48-137596	99-010156	31.92
TRANSISTOR, 48-137696	99-010145	30.24
TRANSISTOR, 8A 80 V.	34-2N6044	2.00
TRANSISTOR, 84X0115	99-130129	7.94
TRAY & GUIDE ASSY	A040301-01	18.00
TRIGGER	001854-01	4.66
TRIGGER	040303-01	.28
TRIGGER GUARD	001848-01	9.20
TRIGGER SWITCH ASSY	A008833-01	13.38
TRIMPOT, 2K OHM	19-315202	1.12
TRIMPOT, 20K,	19-315203	1.12
TRIMPOT, 250K	19-315254	1.34
TSHIRT POLE POS LRG	08-0302240	12.12
TSHIRT POLE POS MED	08-0302239	12.12
TSHIRT POLE POS SML	08-0302238	12.12
TSHIRT POLE POS XLRG	08-0302241	12.12
TSHRT ASTEROIDS LGE	08-0302067	10.56
TSHRT ASTEROIDS MED	08-0302066	10.56
TSHRT ASTEROIDS SMA	08-0302065	10.56
TSHRT ASTEROIDS XLGE	08-0302068	10.56

PRINT DATE: 07/29/83

ATARI, INC.
 COIN-OPERATED GAMES DIVISION
 CUSTOMER SERVICE

 ***** SERVICE PARTS PRICE LIST *****

PART DESCRIPTION	PART NUMBER	PRICE
TSHRT BATTLEZONE LGE	08-0302083	10.56
TSHRT BATTLEZONE MED	08-0302082	10.56
TSHRT BATTLEZONE SMA	08-0302081	10.56
TSHRT BATTLEZONE XLG	08-0302084	10.56
TSHRT CENT CHLD 10/12	08-0302179	8.56
TSHRT CENTIPEDE LGE	08-0302101	10.56
TSHRT CENTIPEDE SM	08-0302099	10.56
TSHRT CENTIPEDE XLGE	08-0302102	10.56
TSHRT DIG CHLD 10/12	08-0302182	8.56
TSHRT DIG CHLD 14/16	08-0302183	8.56
TSHRT DIG DUG LGE	08-0302126	10.56
TSHRT DIG DUG MED	08-0302125	10.56
TSHRT DIG DUG SMA	08-0302124	10.56
TSHRT DIG DUG XLGE	08-0302127	10.56
TSHRT DLX ASTRD LGE	08-0302089	10.56
TSHRT DLX ASTRD MED	08-0302088	10.56
TSHRT DLX ASTRD SM	08-0302087	10.56
TSHRT DLX ASTRD XLGE	08-0302090	10.56
TSHRT FFIGHT CHLD LG	08-0302279	8.56
TSHRT FFIGHT CHLD MD	08-0302278	8.56
TSHRT FFIGHT CHLD SM	08-0302287	8.56
TSHRT FOOD FIGHT LGE	08-0302276	10.56

PRINT DATE: 07/29/83

ATARI, INC.
COIN-OPERATED GAMES DIVISION
CUSTOMER SERVICE

***** SERVICE PARTS PRICE LIST *****

PART DESCRIPTION	PART NUMBER	PRICE
TSHRT FOOD FIGHT MED	08-0302275	10.56
TSHRT FOOD FIGHT SMA	08-0302274	10.56
TSHRT FOOD FIGHT XLG	08-0302277	10.56
TSHRT GRAVITAR LGE	08-0302162	10.56
TSHRT GRAVITAR MED	08-0302161	10.56
TSHRT GRAVITAR SMA	08-0302160	10.56
TSHRT GRAVITAR XLGE	08-0302163	10.56
TSHRT KANG CHLD10/12	08-0302185	8.82
TSHRT KANG CHLD14/16	08-0302186	8.82
TSHRT KANGAROO LGE	08-0302131	10.56
TSHRT KANGAROO MED	08-0302130	10.56
TSHRT KANGAROO SMA	08-0302129	10.56
TSHRT KANGAROO XLGE	08-0302132	10.56
TSHRT LIB CHLD SMALL	08-0302320	8.56
TSHRT LIB CHLD 10-12	08-0302250	8.56
TSHRT LIB CHLD 12-14	08-0302251	8.56
TSHRT LIBERATOR LGE	08-0302236	10.56
TSHRT LIBERATOR MED	08-0302235	10.56
TSHRT LIBERATOR SMA	08-0302234	10.56
TSHRT LIBERATOR XLGE	08-0302237	10.56
TSHRT MILLIPEDE LGE	08-0302244	10.56
TSHRT MILLIPEDE MED	08-0302243	10.56

PRINT DATE: 07/29/83

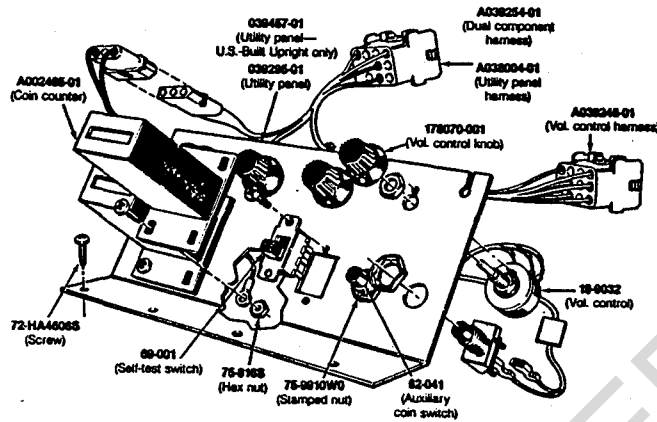
ATARI, INC.
 COIN-OPERATED GAMES DIVISION
 CUSTOMER SERVICE

 ***** SERVICE PARTS PRICE LIST *****

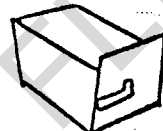
PART DESCRIPTION	PART NUMBER	PRICE
TSHRT MILLIPEDE SMA	08-0302242	10.56
TSHRT MILLIPEDE XLGE	08-0302245	10.56
TSHRT MIS COMM LGE	08-0302076	10.56
TSHRT MIS COMM MED	08-0302075	10.56
TSHRT MIS COMM SM	08-0302074	10.56
TSHRT MIS COMM XLGE	08-0302077	10.56
TSHRT MLPD CHLD10-12	08-0302252	8.56
TSHRT MLPD CHLD12-14	08-0302253	8.56
TSHRT QUANTUM LGE	08-0302248	10.56
TSHRT QUANTUM MED	08-0302247	10.56
TSHRT QUANTUM SMA	08-0302246	10.56
TSHRT QUANTUM XLGE	08-0302249	10.56
TSHRT SPACEDUEL LGE	08-0302121	10.56
TSHRT SPACEDUEL MED	08-0302120	10.56
TSHRT SPACEDUEL SMA	08-0302119	10.56
TSHRT SPACEDUEL XLGE	08-0302122	10.56
TSHRT STAR WARS LGE	08-0302299	10.56
TSHRT STAR WARS MED	08-0302298	10.56
TSHRT STAR WARS SMA	08-0302297	10.56
TSHRT STAR WARS XLGE	08-0302300	10.56
TSHRT STWRS KID LGE	08-0302296	8.56
TSHRT STWRS KID MED	08-0302295	8.56

ATARI, INC.
 COIN-OPERATED GAMES DIVISION
 CUSTOMER SERVICE

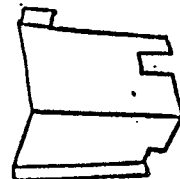
 ***** SERVICE PARTS PRICE LIST *****



Utility Panel Assembly
 A039391-xx C



035847-01
 METAL



035845-01
 MOUNTS TO
 CABINET

PART DESCRIPTION	PART NUMBER	PRICE
TSHRT STWRS KID SMA	08-0302294	8.56
TSHRT TEMPEST LGE	08-0302114	10.56
TSHRT TEMPEST MED	08-0302113	10.56
TSHRT TEMPEST SMA	08-0302112	10.56
TSHRT TEMPEST XLGE	08-0302115	10.56
TSHRT XEVIIOUS LARGE	08-0302268	10.56
TSHRT XEVIIOUS MED	08-0302267	10.56
TSHRT XEVIIOUS SMALL	08-0302266	10.56
TSHRT XEVIIOUS XLGE	08-0302269	10.56
TUBE, SOLENOID	006791-02	.20
UNTI-RINGING	99-150781	4.08
UTILITY PANEL ASY	A040413-01	77.66
UTILITY PNL ASSY PPS	A039391-01	127.74
VARISTOR, BV	110004-001	1.82
VERT/HORIZONTAL BOARD	99-130608	157.68
VOLUME CONTROL 500HM	19-9032	14.36
WEDGE, DEFLECT. YOKE	99-130477	1.18
WELDMENT CASH BOX	035847-01	38.40
WELDMENT, ENCLOSURE C	038781-01	51.36
WELDMENT, SPKR GRILL	040114-01	49.44
WINDBREAKER, LARGE, BL	08-0302054	24.12
WINDBREAKER, MEDIUM	08-0302053	24.12

PRINT DATE: 07/29/83

ATARI, INC.
 COIN-OPERATED GAMES DIVISION
 CUSTOMER SERVICE

 ***** SERVICE PARTS PRICE LIST *****

039141-01 1/8" smoked plex
 ships flat, will bend to fit

PART DESCRIPTION	PART NUMBER	PRICE
WINDBREAKER, SMALL	08-0302052	24.12
WINDBREAKER, X-LARGE	08-0302055	24.12
WINDOW,CTR.VIEW BZN	036256-01	5.38
WINDOW,FRNT STWAR SD	040463-01	79.20
WINDOW,RR,SIT REDBRN	037087-01	26.92
WINDOW,SD PPS SMOKE	039141-01	40.80
WINDOW,TOP STRWAR SD	040528-01	48.72
WIRE,KEY HOLDER	99-10081	1.68
WIRE,SWITCH,Y/1F/1M	99-10075	.62
WIRE,SWITCH,2M/L/\$1	99-10077	.62
WIRE,SWITCH,5F/25¢	99-10076	.62
WRENCH HEX 3-32	178126-001	1.98
XEVIOUS ENHANCEMENT	08-0303041	84.00
YOKE ASSY CLR RS AMP	A201050-01	47.86
YOKE CLR RASTER AMP	A201042-01	44.88
YOKE DEFLECTION	99-120178	67.88
YOKE DEFLECTION	99-120210	68.84
YOKE DEFLECTION	99-130459	73.44
YOKE DEFLECTION	99-130476	107.02
YOKE DEFLECTION	99-160458	58.42
YOKE XY AMPLIFONE	A201004-01	18.34
YOKE 2100139-04	99-120393	67.88

PRINT DATE: 07/29/83

ATARI, INC.
COIN-OPERATED GAMES DIVISION
CUSTOMER SERVICE

***** SERVICE PARTS PRICE LIST *****

PART DESCRIPTION	PART NUMBER	PRICE
YOKE 9A2786-001	99-130145	52.76
19*CLR XY AMPLIFONE	A200009-01	930.00
19*CRT CLR XY AMPLIF	134004-001	285.00

FLIPPERS.COM

FLIPPERS.COM

MONITOR CROSS REFERENCE BY MANUFACTURER PART NUMBER

IF YOU KNOW THE MANUFACTURER PART NUMBER, EITHER FROM THE PART ITSELF OR FROM THE MONITOR MANUAL, THIS CROSS REFERENCE WILL GIVE YOU THE DESCRIPTION, MANUFACTURER AND THE ATARI NUMBER.

AM = AMPLIFONE	VARIOUS	MA = MATSUSHITA	99-15	TC = TEC	99-07
BL = BALL BROTHERS	99-04	MO = MOTOROLA	99-01	WG = WELLS GARDNER	99-16
DI = DISCO	99-17	SA = SANYO	99-16	ZE = ZENITH	99-14
EH = ELECTROHOME	99-12	SN = SANYO	99-16		

<u>Manufacturer Part Number</u>	<u>MFG</u>	<u>Description</u>	<u>Atari Part Number</u>
ACJ273	SA	RESISTOR	99-160569RF
AN5430	MA	IC SYNC	99-150001
AN5512	MA	IC VERTICAL OUTPUT	99-150002
AOA1241-001	WG	KNOB GREEN CONTRAST	99-130463
A0281	SA	TRANSFORMER FLYBACK	99-160009
A0285	SA	COIL	99-160582
A0290	SA	COIL WIDTH	99-160453
A19183-A	EH	TRANSFORMER FLYBACK	99-120470
A200000-01	AM	MANUAL 19" COLOR XY	TM-194
A200001-01	AM	MANUAL 19" COLOR RASTER	TM-199
A200003-01	AM	MANUAL 13" COLOR XY	TM-222
A200009-01	AM	MANUAL 19" COLOR XY	TM-239
A200011-01	AM	MANUAL 25" COLOR XY	TM-239
A29779-D	EH	DEFLECTION YOKE	99-120210
A29779-D	EH	YOKE DEFLECTION	99-120210
A29951-A	EH	FLYBACK TRANSFORMER	99-120211
A29951-A	EH	TRANSFORMER FLYBACK	99-120211
A39475-J	EH	FILTER LINE	99-120280
A39835	EH	COIL LINEARITY	99-120277
A39835	EH	LINEARITY COIL	99-120277
A46022-BM	EH	TRANSFORMER HORIZ DRIVE	99-120281
A46600-A	EH	RESISTOR	99-120428
A7007N	SA	TRANSFORMER HORIZONTAL DRIVE	99-160010

FLIPPERS.COM

ATARI, INC.
 COIN-OPERATED GAMES DIVISION
 CUSTOMER SERVICE

***** MONITOR CROSS REFERENCE LISTING *****
 SORT BY MANUFACTURER'S MODEL NO.

MFR. MODEL NO.	MFR	PART DESCRIPTION	PART NUMBER
A701B	SA	COIL WIDTH	99-160452
A75034-B	EH	MAGNET PC	99-120212
A75360-6	EH	COIL	99-120276
A75414	EH	POSISTOR	99-120253
A76068	EH	SOCKET CRT	99-120246
BU409	WG	TRANSISTOR 85X0128-001	99-130446
CCHAK151	SA	TRANSISTOR 25D1507	99-160471
CCHFK101	SA	CAPACITOR 100PF 50V CERAMIC	99-160336
CCHFK821	SA	CAPACITOR 820PF 50V CERAMIC	99-160321
CCSFK471	SA	CAPACITOR 470PF 500V CERAMIC	99-160322
CCSFK472	SA	CAPACITOR 4700PF 500V CERAMIC	99-160323
CCSFK821	SA	CAPACITOR 820PF 500V CERAMIC	99-160324
CCVIP102	SA	CAPACITOR 1000PF 1000V CERAMIC	99-160325
CCVJP102	SA	CAPACITOR 1000PF 1000V CERAMIC	99-160337
CCZSK102	SA	CAPACITOR 1000PF 2000V CERAMIC	99-160335
CCZSK152	SA	CAPACITOR 1500PF 2000V CERAMIC	99-160326
CCZSK501	SA	CAPACITOR 500PF 2000V CERAMIC	99-160327
CEBEA471	SA	CAPACITOR 470UF 10V ELEC	99-160300
CEDEA100	SA	CAPACITOR 10UF 16V ELEC	99-160301
CEDEA101	SA	CAPACITOR 100UF 16V ELEC	99-160302
CEDEA221	SA	CAPACITOR 220UF 16V ELEC	99-160303
CEDEA470	SA	CAPACITOR 47UF 16V ELEC	99-160304
CEFAN331	SA	CAPACITOR 330UF 25V ELEC	99-160305
CEFAN4R7	SA	CAPACITOR 4.7UF 25V ELEC	99-160306
CEFEA101	SA	CAPACITOR 100UF 25V ELEC	99-130308
CEHEA1R0	SA	CAPACITOR 1.0UF 50V ELEC	99-160307
CEKEA100	SA	CAPACITOR 10UF 160V ELEC	99-160309
CEKEA101	SA	CAPACITOR 100UF 160V ELEC	99-160310
CEKEA4R7	SA	CAPACITOR 4.7UF 160V ELEC	99-160311
CEKEA470	SA	CAPACITOR 47UF 160V ELEC	99-160312
GE2GIH220	TC	CAPACITOR 22UF	99-070079
CE2GIH220	TC	CAPACITOR 22UF 35V	99-070079
CFHRJ272	SA	CAPACITOR 2700PF 50V MYLAR	99-160318
CFHRJ683	SA	CAPACITOR .068UF 50V MYLAR	99-160320
CFHRK683	SA	CAPACITOR .068UF 50V MYLAR	99-160332
CFHRK822	SA	CAPACITOR 8200PF 50V MYLAR	99-160317
CFHRK823	SA	CAPACITOR .082UF 50V MYLAR	99-160328
CFHSJ334	SA	CAPACITOR .33UF 50V MYLAR	99-160329
CFIRK473	SA	CAPACITOR .047UF 100V MYLAR	99-160319
CFJCM563	SA	CAPACITOR .056UF 125V MYLAR	99-160330
CHURJ272	SA	CAPACITOR 2700PF 630V	99-160334
CK1B3D471K	TC	CAPACITOR 470 PF	99-070082
CNORJ474	SA	CAPACITOR 47UF 400V	99-160333
C30289	EH	RESISTOR FOCUS	99-120216
C30316-A	EH	COIL CHOKE	99-120279
C30380-A	EH	COIL WIDTH	99-120278

ATARI, INC.
COIN-OPERATED GAMES DIVISION
CUSTOMER SERVICE

***** MONITOR CROSS REFERENCE LISTING *****
SORT BY MANUFACTURER'S MODEL NO.

MFR. MODEL NO.	MFR	PART DESCRIPTION	PART NUMBER
C30380-A	EH	WIDTH COIL	99-120278
C30445-A	EH	HEATER CHOKE	99-120416
C39049-A	EH	TRANSFORMER	99-120283
C39050-A	EH	TRANSFORMER	99-120282
C39084-A	EH	TRANSFORMER	99-120284
D0631XHA	SA	DEFLECTION YOKE	99-160450
D0631XHA	SA	YOKE DEFLECTION	99-160450
D0655KHA	SA	YOKE DEFLECTION	99-160458
D0655KHA	SA	DEFLECTION YOKE	99-160458
D4002X	SA	MAGNET CONVERGENCE & PURITY	99-160004
D4002X	SA	MAGNET CONVERG & PURITY	99-160004
D4501B	SN	MAGNET CONVERGENCE AND PURITY	99-160459
ECCD1H121K2	MA	CAPACITOR 120PF 50V CER-DISC	99-150547
ECCD1H151K2	MA	CAPACITOR 150PF 50V CER-DISC	99-150550
ECCW1H221K2	MA	CAPACITOR 220PF 50V CER-DISC	99-150535
ECCW1H820K	MA	CAPACITOR 82PF 50V CER-DISC	99-150545
ECCW1H820K2	MA	CAPACITOR 82PF 50V	99-150720
ECCW2H220K	MA	CAPACITOR 22PF 500V CER-DISC	99-150542
ECEA1CS100B	MA	CAPACITOR 10UF 16V	99-150694
ECEA1CS100E	MA	CAPACITOR 10UF 16V ALUM ELECT	99-150530
ECEA1CS101E	MA	CAPACITOR 1000UF 16V ELEC	99-150301
ECEA1CS221	MA	CAPACITOR 220UF 16V ELECT	99-150312
ECEA1CS221E	MA	CAPACITOR 220UF 16V	99-150673
ECEA1CS471E	MA	CAP	99-150736
ECEA1EN220E	MA	CAPACITOR 22UF 25V ELECT	99-150307
ECEA1EN220SE	MA	CAPACITOR 22UF 25V	99-150689
ECEA1ES3R3E	MA	CAPACITOR 3.3UF 25V ELECT	99-150304
ECEA1HN3R3SB	MA	CAPACITOR 3.3UF 50V	99-150674
ECEA1HN3R3SB	MA	CAPACITOR 100UF 16V	99-150675
ECEA1HSR2E	MA	CAPACITOR 2.2UF 50V ALUM ELECT	99-150538
ECEA1HS010B	MA	CAPACITOR 1000PF 500V	99-150702
ECEA1HS010E	MA	CAPACITOR 1UF 50V ELEC	99-150313
ECEA1HS2R2	MA	CAPACITOR 2.2UF 50V ELECT	99-150314
ECEA1VS221E	MA	CAPACITOR 220UF 35V ELECT	99-150309
ECEA1VS470E	MA	CAPACITOR 47UF 35V	99-150311
ECEA1VS471E	MA	CAPACITOR 470UF 35V ELEC	99-150310
ECEA16N10E	MA	CAPACITOR 10UF 16V ELECT	99-150300
ECEA16Z100E	MA	CAPACITOR 10UF 16V ALUM ELECT	99-150540
ECEA16ON3R3E	MA	CAPACITOR 3.3UF 160V	99-150711
ECEA16OV33ZE	MA	CAPACITOR 33UF 160V ALUM ELECT	99-150551
ECEA2AS100E	MA	CAPACITOR 10UF 100V	99-150691
ECEA2AS101E	MA	CAPACITOR 100UF 100V	99-150692
ECEA2CS010E	MA	CAPACITOR 1UF 160V	99-150685
ECEA2CS330	MA	CAPACITOR 33UF 160V	99-150716
ECEA2CS330E	MA	CAPACITOR 33UF 160V ELECT	99-150326
ECEA2ES4R7E	MA	CAPACITOR 4.7UF 250V	99-150709

ATARI, INC.
 COIN-OPERATED GAMES DIVISION
 CUSTOMER SERVICE

***** MONITOR CROSS REFERENCE LISTING *****
 SORT BY MANUFACTURER'S MODEL NO.

MFR. MODEL NO.	MFR	PART DESCRIPTION	PART NUMBER
ECEA25N220E	MA	CAPACITOR 22UF 25V	99-150714
ECEA250V1VE	MA	CAPACITOR 1UF 250V ELEC	99-150318
ECEA250V4R73	MA	CAPACITOR 4.7UF 250UF ELEC	99-150317
ECEA50ZR47E	MA	CAPACITOR 0.47UF 50V ELEC	99-150308
EGEA50Z10B	MA	CAPACITOR 10UF 50V	99-150690
EGEA50Z10B	MA	CAPACITOR 22UF 25V	99-150690
EGET180V560S	MA	CAPACITOR 560UF 180V	99-150325
ECET200H800X	MA	CAPACITOR 800UF 200V	99-150715
ECKC3D152KBU	MA	CAPACITOR 1500UF 2000V CER	99-150323
ECKC3D153KBL	MA	CAPACITOR 1500PF 2000V CER-DISC	99-150549
ECKC3D561KB9	MA	CAPACITOR 560PF 2000V CER	99-150322
ECKDEL471MB	MA	CAPACITOR 470PF 200V	99-150718
ECKD3D152KBN	MA	CAPACITOR 1500PF 2KV	99-150706
ECKD3D152KBU	MA	CAPACITOR .27UF 400V 1500PF 2KV	99-150319
ECKD3D391KB9	MA	CAPACITOR 390PF 2000V CER	99-150321
ECKN1H561KB5	MA	CAPACITOR 560PF 50V	99-150683
ECKR1H101KB5	MA	CAPACITOR 100PF 50V	99-150688
ECKR1H182KB5	MA	CAP 1800PF 50V	99-150700
ECKR1H182KB5	MA	CAPACITOR 1800PF 50V	99-150700
ECKR2H1024B9	MA	CAPACITOR 1000PF 500V	99-150703
ECKW1H102KB5	MA	CAPACITOR 100PF 50V	99-150713
ECKW1H102KH5	MA	CAPACITOR 1000PF 50V	99-150704
ECKW1H182KB5	MA	CAPACITOR 1800PF 50V	99-150705
ECKW1H21KB5	MA	CAPACITOR 820PF 50V	99-150680
ECKW1H331KB2	MA	CAPACITOR 330PF 50V CER-DISC	99-150528
ECKW1H471KB5	MA	CAPACITOR 820PF 50V	99-150677
ECKW1H561KB5	MA	CAPACITOR 470PF 50V	99-150676
ECKW1H681KB5	MA	CAPACITOR 680PF 50V	99-150678
ECKW1H821KB2	MA	CAPACITOR 820PF 50V CER-DISC	99-150529
ECKW2H103PE7	MA	CAPACITOR 0.01UF 500V CER	99-150324
ECKW2H122KB2	MA	CAPACITOR 1200PF 500V CER	99-150316
ECKW2H272KB9	MA	CAPACITOR 2700PF 500V	99-150701
ECKW2H332KB9	MA	CAPACITOR 3300PF 500V	99-150710
ECKO3D222KBB	MA	CAPACITOR 2200PF 2KV	99-150679
ECK3D222KBN	MA	CAPACITOR 2200PF 2KV	99-150707
ECQE10152MV	MA	CAPACITOR 1500PF 1500V	99-150303
ECQE10222MV	MA	CAPACITOR 2200PF 1000V	99-150302
ECQE4274JCF	MA	CAPACITOR 0.27UF 400V	99-150320
ECQE4474JCA	MA	CAPACITOR 0.47UF 400V	99-150712
ECQF4822MZH	MA	CAPACITOR 8200PF 400V PLYFLM	99-150541
ECQF6272JZ	MA	CAPACITOR 0.0027UF 600V	99-150697
ECQF6332KZH	MA	CAPACITOR 3300PF 600V POLY FILM	99-150315
ECQM1H102KZ3	MA	CAPACITOR 1000PF 50V	99-150687
ECQM1H103KZ3	MA	CAP 0.01UF 50V	99-150686
ECQM1H103KZ3	MA	CAPACITOR 0.01UF 50V	99-150686
ECQM1H104MZW	MA	CAPACITOR 0.1UF 50V POLY	99-150536

ATARI, INC.
 COIN-OPERATED GAMES DIVISION
 CUSTOMER SERVICE

***** MONITOR CROSS REFERENCE LISTING *****
 SORT BY MANUFACTURER'S MODEL NO.

MFR	MODEL NO.	MFR	PART DESCRIPTION	PART NUMBER
ECQM1H123KZW	MA	CAPACITOR 0.12UF 50V POLY	99-150537	
ECQM1H154MZW	MA	CAPACITOR 0.15UF 50V POLY	99-150544	
ECQM1H183MZ3	MA	CAPACITOR 0.018UF 50V	99-150698	
ECQM1H223MZW	MA	CAPACITOR 0.022UF 50V POLY	99-150546	
ECQM1H275KZ3	MA	CAPACITOR 0.0027UF 50V	99-150896	
ECQM1H272MZW	MA	CAPACITOR 2700PF 50V	99-150719	
ECQM1H273KZ3	MA	CAPACITOR 0.027UF 50V	99-150682	
ECQM1H332MZ	MA	CAPACITOR 3300PF 50V POLY	99-150548	
ECQM1H333MZW	MA	CAPACITOR 0.033UF 50V POLY	99-150533	
ECQM1H392KZW	MA	CAPACITOR 3900PF 50V POLY	99-150539	
ECQM1H393JZW	MA	CAPACITOR 0.039UF 50V POLY	99-150531	
ECQM1H393MZW	MA	CAPACITOR 0.039UF 50V POLY	99-150534	
ECQM1H472MZW	MA	CAPACITOR 4700PF 50V POLY	99-150543	
ECQM1H472MZ3	MA	CAP 0.0047UF 50V	99-150681	
ECQM1H472MZ3	MA	CAPACITOR 0.0047UF 50V	99-150681	
ECQM1H473MZW	MA	CAPACITOR 0.047UF 50V POLY	99-150532	
ECQM1H682MZ3	MA	CAPACITOR 0.0068UF 50V	99-150699	
ECQM1333KZW	MA	CAP 0.033UF 100V	99-150708	
ECQM1333LZW	MA	CAPACITOR 0.033UF 100V	99-150708	
ECQM1683MZ	MA	CAP 0.068UF 100V	99-150717	
ECQM1683MZ	MA	CAPACITOR 0.068UF 100V	99-150717	
ECQM2222KZW	MA	CAPACITOR 0.0022UF 200V	99-150693	
ECQM2222KZW	MA	CAPACITOR 0.0022UF 200V	99-150693	
ECSF25EF2R2VE	MA	CAPACITOR 2.2UF 25V TANT	99-150306	
ECSF35E1KE	MA	CAPACITOR 1UF 35V TANT	99-150306	
ECSZ16EF33N	MA	CAPACITOR 33UF 16V	99-150695	
ECSZ25EF2R2N	MA	CAP 2.2UF 25V	99-150684	
ECSZ25EF2R2N	MA	CAPACITOR 2.2UF 25V	99-150684	
EFSM4TWOOD1A	MA	CORE 1UH	99-150452	
EQA01-06	MA	DIODE ZENER 6	99-150101	
EQA01-115	MA	DIODE ZENER 11V	99-150109	
ERB12-01	MA	DIODE	99-150107	
ERC12GK272D	MA	RESISTOR 2.7K OHM 1/2W 10%	99-150613	
ERC122ZGK185D	MA	RESISTOR 1.8 MEG OHM 5% 1/2W	99-150203	
ERDA2FG22025	MA	RESISTOR 22KOHM 2% 1/2W	99-150517	
ERDS1TJ182T	MA	RESISTOR 1.8K OHM 1/4W 5%	99-150632	
ERDS1TJ201T	MA	RESISTOR 200 OHM 1/4W 5%	99-150630	
ERDS1TJ621T	MA	RESISTOR 620 OHM 5% 1/4W	99-150631	
ERD12FJ1R0	MA	RESISTOR 1 OHM 5% 1/2W	99-150518	
ERD12FJ331	MA	RESISTOR 330 OHM 5% 1/2W	99-150506	
ERD12SJ471C	MA	RESISTOR 470 OHM 5% 1/4W	99-150491	
ERD12TJ3R9	MA	RESISTOR 3.9 OHM 5% 1/2W	99-150503	
ERD12TJ471	MA	RESISTOR 470 OHM 5% 1/2W	99-150263	
ERD12TJ473	MA	RESISTOR 47K OHM 5% 1/2W	99-150264	
ERD125J182	MA	RESISTOR 1.8K OHM 5% 1/2 W	99-150507	
ERD125J821	MA	RESISTOR 820 OHM 5% 1/2W	99-150520	

ATARI, INC.
COIN-OPERATED GAMES DIVISION
CUSTOMER SERVICE

***** MONITOR CROSS REFERENCE LISTING *****
SORT BY MANUFACTURER'S MODEL NO.

MFR MODEL NO.	MFR	PART DESCRIPTION	PART NUMBER
ERD14FJ470	MA	RESISTOR 47 OHM 5% 1/4W	99-150526
ERD14FJ470S	MA	RESISTOR 12K 5% 1/4W	99-150667
ERD14FJ472	MA	RESISTOR 4.7K OHM 5% 1/4W	99-150519
ERD14FJ682	MA	RESISTOR 6.8K OHM 5% 1/42	99-150525
ERD14SJ121A	MA	RESISTOR 120 OHM 5% 1/4	99-150490
ERD14SJ272A	MA	RESISTOR 2.7K OHM 5% 1/4W	99-150493
ERD14SJ331A	MA	RESISTOR 330 OHM 5% 1/4W	99-150489
ERD14SJ681A	MA	RESISTOR 680 OHM 5% 1/4W	99-150492
ERD25AKF1302	MA	RESISTOR 13.0K OHM 1% 1/4W	99-150652
ERD25FJ100	MA	RESISTOR 100HM 5% 1/4W	99-150636
ERD25FJ102T	MA	RESISTOR 1K OHM 5% 1/4	99-150641
ERD25FJ123T	MA	RESISTOR 12K 5% 1/4W	99-150666
ERD25FJ2R7T	MA	RESISTOR 2.7 OHM 5% 1/4W	99-150637
ERD25FJ222T	MA	RESISTOR 2.2K OHM 5% 1/4	99-150622
ERD25FJ271T	MA	RESISTOR 270 OHM 5% 1/4W	99-150640
ERD25FJ680T	MA	RESISTOR 68 OHM 1/4W 5%	99-150623
ERD25FJ822T	MA	RESISTOR 8.2K OHM 5% 1/4W	99-150621
ERD25TJ820T	MA	RESISTOR 820HM 5% 1/4W	99-150502
ERD25TJ101S	MA	RESISTOR 220 OHM 5% 1/4W	99-150615
ERD25TJ102SS	MA	RESISTOR 1K OHM 5% 1/4W	99-150611
ERD25TJ102T	MA	RESISTOR 1K OHM 5% 1/4W	99-150488
ERD25TJ103T	MA	RESISTOR 10K OHM 5% 1/4W	99-150497
ERD25TJ1123T	MA	RESISTOR 12K OHM 1% 1/4W	99-150653
ERD25TJ122T	MA	RESISTOR 1.2K OHM 6% 1/4W	99-150516
ERD25TJ123S	MA	RESISTOR 12K OHM 1/4W 5%	99-150617
ERD25TJ123T	MA	RESISTOR 12K 5% 4W	99-150721
ERD25TJ124S	MA	RESISTOR 120K OHM	99-150619
ERD25TJ124T	MA	RESISTOR 120K OHM 5% 1/4W	99-150639
ERD25TJ153T	MA	RESISTOR 15K OHM 5% 1/4W	99-150504
ERD25TJ154T	MA	RESISTOR 150K OHM 6% 1/4W	99-150505
ERD25TJ163R	MA	RESISTOR 16K OHM 5% 1/4W	99-150512
ERD25TJ181T	MA	RESISTOR 180 OHM 5% 1/4W	99-150514
ERD25TJ183T	MA	RESISTOR 18K OHM 5% 1/4W	99-150499
ERD25TJ220T	MA	RESISTOR 22 OHM 5% 1/4W	99-150501
ERD25TJ221S	MA	RESISTOR	99-150607
ERD25TJ222T	MA	RESISTOR 2.2K OHM 5% 1/4	99-150522
ERD25TJ223T	MA	RESISTOR 22K OHM 5% 1/4W	99-150484
ERD25TJ224T	MA	RESISTOR 220K OHM 5% 1/4W	99-150527
ERD25TJ271T	MA	RESISTOR 270 OHM 5% 1/4W	99-150509
ERD25TJ272T	MA	RESISTOR 2.7K OHM 5% 1/4W	99-150486
ERD25TJ274T	MA	RESISTOR 270 OHM 5% 1/4W	99-150668
ERD25TJ331T	MA	RESISTOR 330 OHM 5% 1/4W	99-150651
ERD25TJ332T	MA	RESISTOR 3.3K OHM 5% 1/4W	99-150513
ERD25TJ333T	MA	RESISTOR 33K OHM 5% 1/4W	99-150643
ERD25TJ390T	MA	RESISTOR 39 OHM 5% 1/4W	99-150500
ERD25TJ391T	MA	RESISTOR 390 OHM 5% 1/4W	99-150658

ATARI, INC.
 COIN-OPERATED GAMES DIVISION
 CUSTOMER SERVICE

***** MONITOR CROSS REFERENCE LISTING *****
 SORT BY MANUFACTURER'S MODEL NO.

MFR. MODEL NO.	MFR	PART DESCRIPTION	PART NUMBER
ERD25TJ393T	MA	RESISTOR 39K OHM 5% 1/4W	99-150508
ERD25TJ470T	MA	RESISTOR 47 OHM 5% 1/4W	99-150648
ERD25TJ471T	MA	RESISTOR 470 OHM 5% 1/4W	99-150495
ERD25TJ472T	MA	RESISTOR 4.7K OHM 5% 1/4W	99-150521
ERD25TJ473T	MA	RESISTOR 47K OHM 5% 1/4W	99-150511
ERD25TJ474S	MA	RESISTOR 470K OHM 5% 1/4W	99-150616
ERD25TJ560T	MA	RESISTOR 56 OHM 5% 1/4W	99-150510
ERD25TJ561S	MA	RESISTOR 560 OHM 5% 1/4W	99-150614
ERD25TJ561T	MA	RESISTOR 560 OHM 5% 1/4W	99-150523
ERD25TJ562S	MA	RESISTOR	99-150608
ERD25TJ562T	MA	RESISTOR 2.7K OHM 1/4W 560 OHM	99-150485
ERD25TJ564T	MA	RESISTOR 560K 5% 1/4W	99-150496
ERD25TJ681T	MA	RESISTOR 680 OHM 5% 1/4W	99-150487
ERD25TJ682T	MA	RESISTOR 6.8 OHM 5% 1/4W	99-150728
ERD25TJ683T	MA	RESISTOR 68K OHM 5% 1/4W	99-150645
ERD25TJ684T	MA	RESISTOR 680K 5% 1/4W	99-150498
ERD25TJ822T	MA	RESISTOR 8.2K OHM 5% 1/4W	99-150644
ERD25TJ824T	MA	RESISTOR 820 OHM 5% 1/4W	99-150515
ERD25VJ103W	MA	RESISTOR 10K OHM 1/4W 5%	99-150620
ERD25VJ181W	MA	RESISTOR 180 OHM 5% 1/4W	99-150609
ERD25VJ272W	MA	RESISTOR 2.7K OHM 1/4W 5%	99-150625
ERD25VJ684W	MA	RESISTOR 680 OHM 5% 1/4W	99-150642
ERD255TJ101T	MA	RESISTOR 100 OHM 1/4W 5%	99-150626
ERD51J103S	MA	RESISTOR	99-150610
ERD50FJ100P	MA	RESISTOR 10 OHM 1/2W 5%	99-150624
ERD50FJ101P	MA	RESISTOR 100 OHM 5% 1/2W	99-150654
ERD50FJ15CP	MA	RESISTOR 15 OHM 5% 1/2W	99-150670
ERD50FJ223S	MA	RESISTOR 2.2K OHM 5% 1/2W	99-150656
ERD50FJ560P	MA	RESISTOR 56 OHM 5% 1/2W	99-150627
ERD50TJ681S	MA	RESISTOR 680 OHM 5% 1/2W	99-150660
ERD50TJ683S	MA	RESISTOR 68K OHM 5% 1/4W	99-150650
ERD50TJ823S	MA	RESISTOR 8.2K OHM 5% 1/2W	99-150657
ERF10HM151	MA	RESISTOR WW 150 OHM 10% 10W	99-150214
ERF2AJ560	MA	RESISTOR 56 OHM 5% 2W	99-150635
ERF20HMJ201Y	MA	RESISTOR 200 OHM 5% 20W	99-150664
ERF3AK6R8	MA	RESISTOR 6.8 OHM 10% 3W	99-150665
ERF3ANJ122	MA	RESISTOR 1.2K OHM 5% 3W	99-150647
ERF3ATKR47	MA	RESISTOR WW 0.47 OHM 10% 3W	99-150212
ERF7ZK1R2	MA	RESISTOR 1.2 OHM 10% 7W	99-150663
ERG1ANJ102	MA	RESISTOR 1K OHM 5% 1W	99-150210
ERG1ANJ123	MA	RESISTOR 12K OHM 5% 1W	99-150204
ERG1ANJ150	MA	RESISTOR 15 OHM 5% 1W	99-150659
ERG1ANJ153C	MA	RESISTOR 15K 5% 1W	99-150669
ERG1ANJ182C	MA	RESISTOR 1.8 OHM 5% 1W	99-150661
ERG1ANJ182C	MA	RESISTOR 1.8K 5%	99-150661
ERG1ANJ223H	MA	RESISTOR 22KOHM 5% 1W	99-150215

ATARI, INC.
 COIN-OPERATED GAMES DIVISION
 CUSTOMER SERVICE

***** MONITOR CROSS REFERENCE LISTING *****
 SORT BY MANUFACTURER'S MODEL NO.

MFR. MODEL NO.	MFR	PART DESCRIPTION	PART NUMBER
ERG1ANJ392C	MA	RESISTOR 3.9K OHM 5% 1W	99-150646
ERG1ANJ427H	MA	RESISTOR 4.7K OHM 5% 1W	99-150206
ERG1ANJ681C	MA	RESISTOR 680 OHM 5% 1W	99-150662
ERG2ANJ103H	MA	RESISTOR 10K OHM 5% 2W	99-150205
ERG2ANJ222H	MA	RESISTOR 2.2K OHM 5% 2W	99-150633
ERG2ANJ511H	MA	RESISTOR 510 OHM 5% 2W	99-150629
ERG2ANJ682	MA	RESISTOR 4.7 OHM 5% 2W	99-150612
ERG3ANJ122	MA	RESISTOR 1.2 OHM 5% 3W	99-150735
ERG3ANJ221	MA	RESISTOR 220 OHM 3W	99-150202
ERG3ANJ331H	MA	RESISTOR 330 OHM 5% 3W	99-150628
ERG3CJ122	MA	RESISTOR 1.2K OHM 5% 1W	99-150207
ERG5CJ472	MA	RESISTOR 4.7K OHM 5% 5W	99-150634
ERPF5BOM050F	MA	POSISTOR	99-150201
ERPF5BOM080F	MA	DIODE POSISTOR	99-150582
ERQ12HJ1R0	MA	RESISTOR 1 OHM 5% 1/2W	99-150209
ERQ12HJ150	MA	RESISTOR 15 OHM 5% 1/2W	99-150524
ERQ2CJA1R0	MA	RESISTOR 1 OHM 5% 2W	99-150211
ERQ2CJ2R7	MA	RESISTOR 2.7 OHM 2W 5%	99-150618
ERQ25TJ561S	MA	RESISTOR	99-150734
ERS14SJ222A	MA	RESISTOR 2.2K OHM 5% 1/4	99-150494
ERW12PKR27	MA	RESISTOR 0.27 OHM 10% 1/2W	99-150208
ERZ-C05DK271	EH	RESISTOR 270	99-120252
ERZ-C05ZK471	EH	RESISTOR 2K OHM	99-120410
ERO12HKR47	MA	RESISTOR 0.47 OHM 10% 1/2W	99-150655
ERO25AKF3242	MA	RESISTOR 32.4K OHM 1% 1/4W	99-150649
ERO25AKF5301	MA	RESISTOR 5.3K 1% 1/4W	99-150672
ERO25TJ104T	MA	RESISTOR 100K OHM 5% 1/4W	99-150638
ERO50AKF4702	MA	RESISTOR 47.0K 1% 1/2W	99-150671
ERS5ATK5R6	MA	RESISTOR WW 5.6 OHM 10% 5W	99-150213
ESD7Q22	MA	SWITCH SERVICE	99-150596
EVH4TAS20C1B	MA	POT 100K OHM	99-150403
EVL53MA00B13	MA	POT	99-150733
EVL53MA00B14	MA	POT 10K OHM BRIGHT	99-150726
EVL53MA00B32	MA	POT 300 OHM DR.ADJ VR	99-150600
EVL53MA00B53	MA	POT 5K OHM ADJ VR	99-150599
EVL73MA00B53	MA	POT 5K OHM H HOLD	99-150604
EVLVONA00B52	MA	POT 500 OHM +B ADJ	99-150605
EVLVONO0MB53	MA	POT 5K OHM V HOLD VR	99-150602
EVME6U10KB46	MA	POT 4M OHM SCREEN ADJ	99-150601
EVME6V10KB46	MA	POT 4 MEG OHM	99-150402
EVMPRG528219	MA	POT FOCUS	99-150606
EVT53MA00B14	MA	POT 10K OHM BLU/GREEN	99-150401
EVT53MA00B32	MA	POT 300 OHM BLU/RED DR	99-150400
EVTVOUA00B13	MA	POT 1K OHM	99-150407
EVTVOUA00B14	MA	POT 10K OHM	99-150405
EVTVOUA00B23	MA	POT 2K OHM	99-150408

ATARI, INC.
 COIN-OPERATED GAMES DIVISION
 CUSTOMER SERVICE

***** MONITOR CROSS REFERENCE LISTING *****
 SORT BY MANUFACTURER'S MODEL NO.

MFR. MODEL NO.	MFR	PART DESCRIPTION	PART NUMBER
EVTVO7A00B22	MA	POT 200 OHM	99-150406
EVTVO7A00B25	MA	POT 200K OHM	99-150404
EVTV7U00MB12	MA	POT 100 OHM VSIZE ADJ	99-150603
EO476	SA	CHOKE (HOCKE)	99-160500
E1032RT	SA	DIODE	99-160501
E1046T	SA	THERMISTER	99-160502
E1081T	SA	THERMISTOR SOT 500	99-160202
E112A4	SA	DIODE	99-160106
E1207ZF	SA	DIODE	99-160107
E1235RB	SA	DIODE	99-160100
E1256R	SA	DIODE	99-160576
E133BR	SA	DIODE	99-160101
E1339R	SA	DIODE	99-160102
E1340R	SA	DIODE	99-160103
E1344Z	SA	DIODE	99-160581
E1533R	SA	DIODE	99-160577
E1704R	SA	DIODE	99-160104
E1714ZS	SA	DIODE	99-160105
E1767Z	SA	DIODE	99-160503
E1782P	SN	POSISTOR PTH451COS	99-160201
E2869	SN	LEVER SWITCH	99-160504
E3484	SA	SOCKET CRT	99-160005
E3501	SA	CRT SOCKET	99-160472
E4307	SA	GT PIN	99-160505
E4606	SA	SHEET TR	99-160466
E4739	SA	SHEET TR	99-160468
E5082B	SA	FUSE	99-160506
E5099	SA	FUSE	99-160507
E9808B	SN	PCB DZB	99-160473
E98089	SN	PCB	99-160484
F5024	SA	TRANSFORMER FLYBACK (NEED MFG #)	99-160011
F5031	SA	TRANSFORMER FLYBACK (NEED MFG #)	99-160011
F5039	SN	TRANSFORMER FLYBACK	99-160508
F5039	SN	FLYBACK TRNSFORMER	99-160508
G0096	SN	POT 5K OHM VR BLZFRB	99-160406
G0106	SN	POT 8 10K OHMS	99-160509
G0167	SN	POT 20K OHM VR BLFRB	99-160407
G0353XXH	SN	POT 500K OHM VR 8CFRB	99-160408
G0553XXT	SN	POT 3K OHM VR 8C1FR58	99-160400
G0554XXT	SN	POT 10K OHM VR 8C1FR5B	99-160403
G0555XXT	SN	POT 200 OHM VR 8C1FR5B	99-160404
G0557XXT	SN	POT 200K OHM VR 8C1FR5B	99-160401
G0558XXB	SN	POT 50K OHM VR 8C1FR5B	99-160402
G0560XXB	SN	POT 83K OHMS	99-160510
G1096XXH	SN	POT 1M OHM VR 15CFR10B	99-160405
G1213XDM	SN	POT 810K OHMS	99-160511

ATARI, INC.
COIN-OPERATED GAMES DIVISION
CUSTOMER SERVICE

***** MONITOR CROSS REFERENCE LISTING *****
SORT BY MANUFACTURER'S MODEL NO.

MFR. MODEL NO.	MFR	PART DESCRIPTION	PART NUMBER
HA11244	EH	IC	99-120285
HF-1	EH	DIODE	99-120295
HZ9A2	MA	DIODE ZENER 9V	99-150108
H1809	WG	RECTIFIER 66X0067-02	99-130449
ING0TVGL GE	WG	DIODE 200X8000-026	99-130302
ISZ473	EH	DIODE	99-120424
ISZ473	EH	DIODE	99-120421
KV800A	MO	AUDIO MODULE ASSY	99-010153
LA1464	SA	IC Q7606	99-160007
LA5110	SA	IC Q7607	99-160008
LA5112N	SN	IC Q7186A	99-160512
LM1796	TC	TRANSISTOR NPN 5310500223	99-070009
LXXK220	SA	COIL PEAKING	99-160474
LXXK470	SA	COIL PEAKING	99-160457
LXXK5R6	SA	COIL PEAKING	99-160475
LXX1R5	SA	COIL FILTER	99-160454
LXX150	SA	COIL PEAKING	99-160456
L324	SA	FILTER LINE	99-160455
L7133	SA	COIL FILTER	99-0160451
L7690AGD	SA	COIL DEGAUSSING	99-160460
L7690AGD	SA	DEGAUSSING COIL	99-160460
MA150	MA	DIODE SILICON	99-150571
MA150TA	MA	DIODE	99-150103
MA161TA	MA	DIODE	99-150102
MA162	MA	DIODE SILICON	99-150576
MA162TA5	MO	DIODE SILICON	99-150729
MA26W0	MA	DIODE SILICON	99-150104
MECNO13A	MA	MICA SHEET 3 PWR TRANS	99-150559
MI-15R	MA	DIODE ZENER	99-150111
MI-15S	MA	DIODE	99-150110
MJE51T	EH	TRANSISTOR	99-120158
MJE520	TC	TRANSISTOR 5310500031	99-070025
MJ205	TC	TRANSISTOR 5310400040	99-070007
MJ3430	TC	TRANSISTOR 4310400030	99-070005
MPSA4354	TC	TRANSISTOR 5310500062	99-070006
MPSU04	TC	TRANSISTOR 5310500070	99-070008
MPSU10	TC	TRANSISTOR 5310500080	99-070004
MPS4356	TC	TRANSISTOR MPS4356	99-070016
MPS834	TC	TRANSISTOR 5310500202	99-070017
MPS9417AT	TC	TRANSISTOR 5310500082	99-070024
MPS9700U	TC	TRANSISTOR 5310500201	99-070023
MR9701	TC	DIODE 5340200260	99-070026
MR9722	TC	SILICON RECTIFIER 5340200300	99-070012
M22VATP4	MO	CRT 23" 96 10848A01	99-010180
M22VATP4	MO	CRT 23"	99-010180
M50000	MO	CRT SOCKET 9 25470A01	99-010183

ATARI, INC.
COIN-OPERATED GAMES DIVISION
CUSTOMER SERVICE

***** MONITOR CROSS REFERENCE LISTING *****
SORT BY MANUFACTURER'S MODEL NO.

MFR. MODEL NO.	MFR	PART DESCRIPTION	PART NUMBER
M7000	MO	PCB ASY M7000 MONITOR MAIN	99-010109
NE555P	WG	IC CLOCK TI 86X0134-001	99-130510
OBSOLETE	BL	TRANSFORMER	99-04045
OKCE2G2C100	TC	CAPACITOR 10UF 160V	99-070061
OKCQIMIH47J	TC	CAPACITOR 47UF 50V	99-070062
OKPE-19-1567	TC	SLIDE SWITCH	99-070059
OKPE-19-1567	TC	SWITCH SLIDE	99-070059
OK5160122903	TC	RESISTOR 2.2 OHM 1W	99-070063
OK5270333401	TC	CAPACITOR .33UF 200V	99-070060
OK553303005B	TC	POT 30K OHM	99-070064
PE-19-1570	TC	RECEPTICAL ASY	99-070071
PE-19-1573	TC	CONNECTOR ASSY	99-070072
PE-191569	TC	PLUG ASSY	99-070070
PE19-1574	TC	PLUG ASSY	99-070068
PE19-1575	TC	RECEPTICAL	99-070069
PTH451COS	SN	POSISTOR E1782P	99-160201
P100	EH	HARNESS ASSY 02-160033-01	99-120482
P298	WG	PCB INTERFACE	99-130604
P299	WG	DEFLECTION PCB ASSY	99-130466
P299	WG	PCB DEFLECTION ASSY	99-130466
P314	WG	DEFLECTION PCB 38A5673-000	99-130474
P315	WG	NECK PCB 38A5676-000	99-130479
P316	WG	HIGH VOLTAGE PCB COMPLETE	99-130490
P915	WG	PCB NECK 38A5676-100	99-130524
P916	WG	PCB H.V.	99-130566
QCZ0101-005	EH	CAPACITOR 150PF 1.5V	99-120218
QCZ9001-102	EH	CAPACITOR 1000 PF 1400V	99-120457
QCZ9013-472	EH	CAPACITOR 4700PF 125V +80%-20%	99-120274
QED22CA-476	EH	CAPACITOR 47UF 160V 100% ELEC	99-120267
QEE51CK-225	EH	CAPACITOR 2.2UF 16V 10% TANT	99-120263
QEN61HA-105	EH	CAPACITOR 1UF 50V 100%	99-120271
QEN61HA-335	EH	CAPACITOR 3.3UF 50V	99-120412
QEW51JA-475	EH	CAPACITOR 4.7UF 6.3V	99-120413
QEW52CA-107	EH	CAPACITOR 100UF 160V 100% ELEC	99-120264
QEW52CA-335	EH	CAPACITOR 3.3UF 160V 100% ELEC	99-120265
QEW52EA-106	EH	CAPACITOR 10UF 250V 100% ELEC	99-120243
QEW53EA-106	EH	CAPACITOR 10UF 250V	99-120456
QEW62CA-105	EH	CAPACITOR 1UF 160V 100% ELEC	99-120272
QEY0034-001	EH	CAPACITOR	99-120415
QFH63BK-223	EH	CAPACITOR .022UF 1.25K 10%	99-120270
QFM720K-104	EH	CAPACITOR 0.1UF 200V	99-120414
QFP31HJ-562	EH	CAPACITOR 5600PF 50V 5%	99-120266
QFZ0067-534	EH	CAPACITOR 53UF 1200V 10%	99-120269
QFZ0082-152	EH	CAPACITOR 1500PF 1500V 5%	99-120273
QFZ0082-202	EH	CAPACITOR 2000PF 1500V 5%	99-120268
QFZ9008-104	EH	CAPACITOR .01UF 150V +80%-20%	99-120275

ATARI, INC.
 COIN-OPERATED GAMES DIVISION
 CUSTOMER SERVICE

***** MONITOR CROSS REFERENCE LISTING *****
 SORT BY MANUFACTURER'S MODEL NO.

MFR. MODEL NO.	MFR	PART DESCRIPTION	PART NUMBER
QMF53U1-1R25	EH	FUSE 1.25 AMP	99-120426
QMF66U1-1R25	EH	FUSE 1.2 AMP	99-120237
QMF66U1-3R05	EH	FUSE 3 AMP	99-120238
QQL043K-101	EH	COIL	99-120244
QRF076K-2R0	EH	RESISTOR 2K 7W 10%	99-120254
QRF258K-221	EH	RESISTOR 220 OHM 25W	99-120217
QRGO19J-189	EH	RESISTOR 18K 1W 5% FILM	99-120259
QRGO19J-272	EH	RESISTOR 2.7K 1W 5%	99-120223
QRGO19J-332	EH	RESISTOR 33K 1W 5%	99-120222
QRGO19J-391	EH	RESISTOR 390 1W 5% FILM	99-120251
QRGO26J-103	EH	RESISTOR 10K 2W 5%	99-120228
QRGO26J-123	EH	RESISTOR 12K 2W 5%	99-120224
QRGO26J-680Z	EH	RESISTOR 68 OHM 2W	13-5680
QRGO26J-681	EH	RESISTOR 680 OHM 2W 5%	99-120230
QRGO26J-821Z	EH	RESISTOR 820 OHM 2W	99-120408
QRGO26J-822	EH	RESISTOR 8.2K OHM 2W 5%	99-120229
QRGO29J-103	EH	RESISTOR 10K 2W	99-120454
QRGO29J-123	EH	RESISTOR 12K 2W 5%	99-120241
QRH024K-680	EH	RESISTOR 68 OHM 2W 10%	99-120225
QRH124K-221	EH	RESISTOR 220 1/2W 10%	99-120260
QRV122F-3902	EH	RESISTOR 39K 1/2W 1% FILM	99-120261
QRV122F-470	EH	RESISTOR 47K 1/2W 1% FILM	99-120257
QRV141F-1182	EH	RESISTOR 11.8K 1/4W 1%	99-120226
QRV142F-1182	EH	RESISTOR 11.8K 1/4W 1%	99-120407
QRV142F-274	EH	RESISTOR 2.74K 1/4W 1% FILM	99-120259
QRV142F-7681	EH	RESISTOR 7.68K 1/4W 1% FILM	99-120262
QRX019J-4R7	EH	RESISTOR 4.7 1W 5% FILM	99-120249
QRX019J-6R8	EH	RESISTOR 6.8 OHM 1W 5% FILM	99-120221
QRX019J-8R2	EH	RESISTOR 8.2 OHM 1W 5%	99-120231
QRX026J-820	EH	RESISTOR 82K 2W 5% FILM	99-120250
QRX039J-4R7	EH	RESISTOR 4.7 OHM 3W 5% FILM	99-120255
QRZ0039-332	EH	RESISTOR 3.3K 1.2W	99-120455
QVP5A0B-023	EH	RESISTOR 2K OHM	99-120411
QVZ3220-014	EH	RESISTOR 10K	99-120406
QVZ3224-014	EH	POTENTIOMETER 10K	99-120219
QVZ3224-022	EH	POTENTIOMETER 200	99-120239
QVZ3224-053	EH	POTENTIOMETER 5K	99-120240
QVZ3230-002	EH	RESISTOR 200 OHM	99-120405
QVZ3230-022	EH	POTENTIOMETER 200 OHM	99-120220
QVZ3230-023	EH	POTENTIOMETER 2K	99-120258
QVZ3230-053	EH	RESISTOR 5K OHM	99-120227
QVZ3234-022	EH	RESISTOR 200 OHM	99-120452
QVZ3234-053	EH	RESISTOR 5K OHM	99-120453
QVZ3242-026	EH	POTENTIOMETER 2 MEG	99-120242
Q5053F	SA	TRANSISTOR NPN	99-160015
Q5053G	SA	TRANSISTOR 2SC536	99-160513

ATARI, INC.
 COIN-OPERATED GAMES DIVISION
 CUSTOMER SERVICE

***** MONITOR CROSS REFERENCE LISTING *****
 SORT BY MANUFACTURER'S MODEL NO.

MFR. MODEL NO.	MFR	PART DESCRIPTION	PART NUMBER
Q5107E	SA	TRANSISTOR NPN	99-160016
Q5138K	SA	TRANSISTOR NPN	99-160018
Q5144E	SA	TRANSISTOR NPN	99-160013
Q5173D	SA	TRANSISTOR NPN	99-160012
Q6526Z	SA	TRANSISTOR NPN	99-160017
Q6548DR	SA	TRANSISTOR 25G2073R	99-160578
Q6574Z	SA	TRANSISTOR 25D869	99-160465
Q6586DR	SA	TRANSISTOR 25A940R	99-160579
Q6785Z	SA	TRANSISTOR DAMPER NPN	99-160014
Q6785Z	SA	TRANSISTOR DAMPER	99-160014
Q68030	SA	TRANSISTOR 25C2551	99-160580
Q6819Z	SA	TRANSISTOR 25D1090	99-160469
Q7186A	SN	IC LA5112N	99-160512
Q7606	SA	IC LA1464	99-160007
Q7607	SA	IC LA5110	99-160008
Q7607	SA	IC LA5110	99-160008
Q9251XHA	SA	CRT 14" COLOR 370ECB22	99-160006
Q9251XHA	SA	CRT 14" CLR 370ECB22	99-160006
Q9656XHK	SA	CRT 51OUTB22	99-160470
RCBPK102	SA	RESISTOR	99-160476
RCBPK104	SA	RESISTOR	99-160477
RD10F	EH	DIODE ZENER	99-120422
RD11E(B)	EH	DIODE ZENER	99-120293
RD20EV2	EH	DIODE ZENER	99-120234
RD68EV3	EH	DIODE ZENER	99-120236
RFAAJ1R0	SA	RESISTOR	99-160546
RFAAJ100	SA	RESISTOR	99-160547
RFAAJ102	SA	RESISTOR	99-160548
RFAAJ330	SA	RESISTOR	99-160549
RFAAJ331	SA	RESISTOR	99-160550
RFACG113	SA	RESISTOR	99-160552
RFACG153	SA	RESISTOR	99-160551
RFACG183	SA	RESISTOR	99-160553
RFACG221	SA	RESISTOR	99-160554
RFACJ101	SA	RESISTOR	99-160555
RFACJ102	SA	RESISTOR	99-160556
RFACJ103	SA	RESISTOR	99-160557
RFACJ104	SA	RESISTOR	99-160558
RFACJ105	SA	RESISTOR	99-160559
RFACJ121	SA	RESISTOR	99-160478
RFACJ122	SA	RESISTOR	99-160479
RFACJ123	SA	RESISTOR	99-160560
RFACJ124	SA	RESISTOR	99-160561
RFACJ151	SA	RESISTOR	99-160562
RFACJ152	SA	RESISTOR	99-160480
RFACJ153	SA	RESISTOR	99-160563

ATARI, INC.
 COIN-OPERATED GAMES DIVISION
 CUSTOMER SERVICE

***** MONITOR CROSS REFERENCE LISTING *****
 SORT BY MANUFACTURER'S MODEL NO.

MFR. MODEL NO.	MFR	PART DESCRIPTION	PART NUMBER
RFACJ181	SA	RESISTOR	99-160564
RFACJ182	SA	RESISTOR	99-160565
RFACJ221	SA	RESISTOR	99-160481
RFACJ223	SA	RESISTOR	99-160566
RFACJ224	SA	RESISTOR	99-160567
RFACJ271	SA	RESISTOR	99-160568
RFACJ332	SA	RESISTOR	99-160571
RFACJ392	SA	RESISTOR	99-160573
RFACJ472	SA	RESISTOR	99-160574
RFACJ561	SA	RESISTOR	99-160575
RFACJ562	SA	RESISTOR	99-160574
RFACJ563	SA	RESISTOR	99-160515
RFACJ564	SA	RESISTOR	99-160516
RFACJ680	SA	RESISTOR	99-160517
RFACJ681	SA	RESISTOR	99-160518
RFACJ682	SA	RESISTOR	99-160519
RFACJ683	SA	RESISTOR	99-160520
RFACJ821	SA	RESISTOR	99-160521
RFAJ393	SA	RESISTOR	99-160572
RFBPJ101	SA	RESISTOR	99-160522
RFBPJ102	SA	RESISTOR	99-160523
RFBPJ103	SA	RESISTOR	99-160524
RFBPJ180	SA	RESISTOR	99-160525
RFBPJ393	SA	RESISTOR	99-160526
RF1FJ180	SA	RESISTOR 1.0 OHM 1W	99-160215
RF1FJ562	SA	RESISTOR 5600 OHM 1W	99-160216
RH1FJ882	SA	RESISTOR	99-160535
RH1S	MA	DIODE	99-150105
RM-25	MA	DIODE ZENER	99-150112
RM2-(C)	EH	DIODE	99-120236
RNABF102	SA	RESISTOR	99-160527
RNABF104	SA	RESISTOR 100K OHM 1/4W	99-160203
RNABF512	SA	RESISTOR	99-160528
RNABF562	SA	RESISTOR 5600 OHM 1/4W	99-160204
RNBPJ102	SA	RESISTOR	99-160529
RNBPJ330	SA	RESISTOR 33 OHM 1/2W	99-160205
RN1PJ3R3	SA	RESISTOR	99-160530
RN1PJ3R9	SA	RESISTOR 3.9 OHM 1 W	99-160206
RN2PJ331	SA	RESISTOR	99-160531
RN2PJ391	SA	RESISTOR 390 OHM 2W	99-160207
RR1FJR39	SA	RESISTOR	99-160482
RR1FJ102	SA	RESISTOR	99-160532
RR1FJ183	SA	RESISTOR	99-160533
RR1FJ331	SA	RESISTOR	99-160534
RR1FJ561	SA	RESISTOR 560 OHM 1W	99-160208
RR1FJ562	SA	RESISTOR	99-160483

ATARI, INC.
 COIN-OPERATED GAMES DIVISION
 CUSTOMER SERVICE

***** MONITOR CROSS REFERENCE LISTING *****
 SORT BY MANUFACTURER'S MODEL NO.

MFR. MODEL NO.	MFR	PART DESCRIPTION	PART NUMBER
RR2FJ103	SA	RESISTOR 10K OHM 2W	99-160209
RR2FJ123	SA	RESISTOR	99-160536
RR2FJ682	SA	RESISTOR 6800 OHM 2W	99-160210
RR3FJ122	SA	RESISTOR 1200 OHM 3W	99-160211
RR3FJ152	SA	RESISTOR	99-160538
RR3FJ3R9	SA	RESISTOR	99-160537
RR3FJ332	SA	RESISTOR 3300 OHM 3W	99-160212
RVSRM1ZM	MA	DIODE	99-150732
RV2M	MA	DIODE	99-150106
RX05P220J	TC	RESISTOR	99-070077
RX20P251J	TC	RESISTOR 250 OHM 20 W	99-070058
RYEJ181	SA	RESISTOR 180 OHM 20W WW	99-160213
RYEK2R0	SA	RESISTOR 2.0 OHM 20W WW	99-160214
RYEKJ221	SA	RESISTOR	99-160539
RY6FK3R9	SA	RESISTOR	99-160540
RY6FK4R7	SA	RESISTOR	99-16054
RY7KJ471	SA	RESISTOR	99-160542
RY7KK3R0	SA	RESISTOR	99-160543
SU-1132A	EH	PCB MAIN	99-120206
SU-1133A	EH	PCB MAIN ASSY	99-120401
SU-3031-A	EH	PCB CRT SOCKET	99-120207
SU-3032A	EH	PCB CRT SOCKET	99-120402
TFB-1006AS	TC	FLYBACK TRANSFORMER 589517015	99-070020
TJC6319	MA	HOLDER FUSE	99-150557
TJC6320	MA	HOLDER FUSE A	99-150556
TJE76311	MA	TRANSISTOR HORIZONTAL OUTPUT	99-150478
TJS35030	MA	CRT SOCKET 15" & 19"	99-150008
TKZ768904	MA	SHIELD PCB	99-150555
TKZ768904	MA	PCB SHIELD	99-150555
TLC2024-2S	MA	MAGNET PURITY	99-150004
TLF14601B/F	MA	TRANSFORMER FLYBACK	99-150011
TLF6041F	MA	TRANSFORMER FLYBACK	99-150594
TLF6041F	MA	FLYBACK TRANSFORMER	99-150594
TLH15701	MA	COIL HORIZ. WIDTH	99-150009
TLH15757	MA	COIL HORIZONTAL AMPLITUDE	99-150590
TLH15757	MA	HORIZONTAL AMPLITUDE	99-150590
TLH6431	MA	TRANSFORMER HORIZONTAL DRIVE	99-150013
TLH6434	MA	TRANSFORMER H DRIVE	99-150593
TLH6623P	MA	COIL LINEARITY	99-150454
TLH6623P	MA	LINEARITY COIL	99-150454
TLH6658P	MA	COIL LINEAR	99-150589
TLH6658P	MA	LINEARITY COIL	99-150589
TLH6797	MA	TRANSFORMER PINCUSHION	99-150595
TLH8706	MA	TRANSFORMER PINCUSHION	99-150012
TLK159072	MA	DEGAUSSING COIL	99-150586
TLK159072	MA	COIL DEGAUSSING	99-150586

ATARI, INC.
 COIN-OPERATED GAMES DIVISION
 CUSTOMER SERVICE

***** MONITOR CROSS REFERENCE LISTING *****
 SORT BY MANUFACTURER'S MODEL NO.

MFR. MODEL NO.	MFR	PART DESCRIPTION	PART NUMBER
TLK59007H-1	MA	COIL DEGAUSSING	99-150553
TLK59007H-1	MA	DEGAUSSING COIL	99-150553
TLN506BX	TC	TRANSFORMER HORIZ OXCIL 589514015	99-070022
TLP408C	MA	CORE 1UH COIL	99-150453
TLP408C	MA	COIL CORE	99-150453
TLP6505-2P	MA	FILTER POWER	99-150592
TLP6505-2P	MA	POWER FILTER	99-150592
TLP6506	MA	FILTER LINE	99-150010
TLTD10L999	MA	COIL 1UH PEAKING	99-150591
TLT047L-999	MA	COIL 47UH	99-150451
TLT047L-999G	MA	COIL 4.7UH	99-150450
TLI82-106	MA	COIL PEAKING	99-150587
TLI82-106	MA	PEAKING COIL	99-150587
TLY15302A	MA	YOKE DEFLECTION	99-150005
TLY5384F(M)	MA	COIL DEFLECTION	99-150585
TLY5384F(M)	MA	DEFLECTION COIL	99-150585
TMM15202	MA	COVER CRT SOCKET	99-150559
TNP1199BZA	MA	PCB CRT	99-150723
TNP45131ZA	MA	PCB VIDEO	99-150724
TNP61869LC	MA	PCB MAIN	99-150722
TNP66356	MA	PCB DEFLECTION	99-150725
TNP71365-9F	MA	PCB MAIN	99-150006
TNP72902-9F	MA	CRT PCB	99-150007
TPS 98	WG	TRANSISTOR 86X0127-001	99-130412
TSG909	MA	CORE	99-150588
TUC76642-2	MA	HEATSINK	99-150477
TUC76649-1	MA	HEATSINK	99-150475
TUC76650	MA	HEATSINK	99-150476
TUC76909	MA	SHIELD FLYBACK TRANSFORMER	99-150554
TVSB1201	MA	DIODE	99-150731
TVSB2406B	MA	DIODE	99-150575
TVSB2406C	MA	DIODE SILICON	99-150574
TVSC0410	MA	DIODE	99-150578
TVSEN11235	MA	IC H.OSC-V-OSC	99-150561
TVSMB1F	MA	DIODE SILICON	99-150577
TVSQA107RE	MA	DIODE ZENER	99-150572
TVSQA111SE	MA	DIODE ZENER 11V	99-150581
TVSRM1Z	MA	DIODE	99-150580
TVSRM1Z	MA	DIODE	99-150580
TVSRM1ZM	MA	DIODE SILICON	99-150570
TVSRM2C	MA	DIODE SILICON	99-150583
TVSRM25	MA	DIODE	99-150579
TVSRP1A	MA	DIODE SILICON	99-150573
TXF3A01KG1	MA	WIRE HIGH VOLTAGE	99-150552
T2Z	MO	IC 51 10707A01	99-010090
T3F	MO	IC 51 10732A01	99-010014

204

ATARI, INC.
 COIN-OPERATED GAMES DIVISION
 CUSTOMER SERVICE

***** MONITOR CROSS REFERENCE LISTING *****
 SORT BY MANUFACTURER'S MODEL NO.

MFR	MODEL NO.	MFR	PART DESCRIPTION	PART NUMBER
T900		EH	FLYBACK HI. VLTG. TRANSFORMER	99-120200
T900		EH	HI. VLTG. FLYBACK TRANSFORMER	99-120200
T900		EH	HV/FLYBACK TRANSFORMER	99-120200
USE 99-010008		MO	DIODE ZENER	99-010048
USE 99-010066		MO	TRANSFORMER	99-010058
USE 99-010134		MO	TRANSFORMER	99-010059
USE 99-010141		MO	SOCKET PICTURE TUBE	99-010044
USE 99-010179		EH	CRT 19" B&W EH & WG	99-120054
USE 99-120102		EH	CONTROL PCB MTG	99-120104
U885383		SA	PCB CONTROL ASSY	99-160001
U885383		SA	PCB CONTROL	99-160001
U885401		SA	PCB MAIN	99-160002
U885406		SA	PCB CRT	99-160003
U885406		SA	PCB CRT	99-160003
U885485		SA	CFT UNIT EZT	99-160462
VO9-E		EH	DIODE	99-120233
V11-CA		EH	DIODE	99-120294
V19-E		EH	DIODE	99-120296
W06-A		EH	DIODE	99-120232
W06A		EH	DIODE	99-120420
XBA1C10NS5		MA	FUSE 1A SLOW	99-150480
XBA1E30NS5		MA	FUSE 3A SLOW	99-150479
XBA1F15NU100		MA	FUSE 1.5A SLOW BLOW	99-150598
XBA1F40NU100		MA	FUSE 4.0A SLOW BLOW	99-150597
Z2003		SA	CORE PIPE	99-160461
01-160031-01		EH	HARNESS X CHANNEL	99-120460
02-160001-01		EH	DEFLECTION PANEL	99-120050
02-160002-01		EH	EHT SUPPLY PANEL ASSY	99-120051
02-160004-01		EH	HARNESS ASSY	99-120052
02-160005-01		EH	PCB DEFLECTION AMP	99-120056
02-160006-01		EH	HEATSINK	99-120056
02-160007-01		EH	EHT SUPPLY ASSY	99-120123
02-160008-01		EH	PCB EHT SUPPLY	99-120124
02-160011-01		EH	PCB REGULATOR	99-120164
02-160011-01		EH	PCB REGULATOR	99-120205
02-160013-01		EH	DEFLECTION PANEEY ASSY	99-120458
02-160015-01		EH	CRT HARNESS ASY	99-120459
02-160015-01		EH	HARNESS CRT ASY	99-120459
02-160024-01		EH	CRT HARNESS ASY 15"	99-120463
02-160024-01		EH	HARNESS CRT ASY 15"	99-120463
02-160026-01		EH	PCB AMP DEFLECTION	99-120362
02-160032-01		EH	HARNESS Y CHANNEL	99-120461
02-160033-01		EH	HARNESS ASSY P100	99-120462
02-170001-01		EH	PCB INTERFACE ASSY	99-120209
02-170001-01		EH	PCB INTERFACE ASSY	99-120209
02-230009-08		EH	PCB DEFLECTION	99-120045

ATARI, INC.
 COIN-OPERATED GAMES DIVISION
 CUSTOMER SERVICE

***** MONITOR CROSS REFERENCE LISTING *****
 SORT BY MANUFACTURER'S MODEL NO.

MFR. MODEL NO.	MFR	PART DESCRIPTION	PART NUMBER
02-230010-05	EH	PCB GEOMETRY	99-120041
02-230098-01	EH	PCB CHROMATIC INPUT	99-120043
02-230099-01	EH	PCB TTL INTERFACE TANK 8	99-120049
02-230102-01	EH	PCB TTL INTERFACE INDY 8	99-120048
05-160001-01	EH	CHASSIS KIT X-Y	99-120053
05-160002-01	EH	EHT SUPPLY KIT	99-120125
07-220083-03	EH	PURITY SHIELD ASSY	99-120403
1-034-0348	BL	CONNECTOR 6 PIN	99-04055
1-011-5312	BL	VARISTOR 10K 1/8W 20%	99-04038
1-011-5325	BL	VARISTOR 25K 1/8W 20%	99-04039
1-011-5373	BL	VARISTOR 50K 1/8W 20%	99-04040
1-011-5604	BL	VARISTOR 500 OHMS 1/8W 20%	99-04043
1-011-5684	BL	VARISTOR 25K 20%	99-04048
1-011-5686	BL	VARISTOR 50K 20%	99-04046
1-011-5688	BL	VARISTOR 500 OHMS 20%	99-04047
1-011-5689	BL	VARISTOR 150K 1/8W 20%	99-04037
1-011-5690	BL	VARISTOR 2.5 MEG OHM 1/8W 20%	99-04041
1-011-5691	BL	VARISTOR 1K 1/8W 20%	99-04042
1-012-2186	BL	CAPACITOR 1500UF ELECT	99-04032
1-015-1144	BL	VIDEO INPUT NPN	99-04004
1-015-1145	BL	VIDEO INPUT 2N3906	99-04005
1-015-1153	BL	VIDEO OUTPUT MPSU03	99-04006
1-015-1157	BL	VERTICAL OSCILLATOR UJT 2N6027	99-04008
1-015-1170	BL	TRANSISTOR MPS-L01	99-04050
1-015-1172	BL	NPN ERROR REGULATOR AMPLIFIER	99-04012
1-015-1176	BL	VERTICAL OUTPUT NPN 2SD199	99-04003
1-015-1186	BL	OSCILLATOR VERTICAL MPSA65	99-04009
1-015-1193	BL	SYNC SEPARATOR NPN MPSA16	99-04007
1-015-1201	BL	REGULATOR DRIVE MPSU57	99-04011
1-015-1202	BL	SPOT KILLER MPSA99	99-04010
1-015-1203	BL	SWITCH SCR CROWBAR C106A1	99-04013
1-015-1204	BL	HORIZONTAL OUTPUT NPN	99-04002
1-016-0317	BL	WIDTH CONNECTOR	99-04044
1-017-5380	BL	TRANSFORMER HORIZONTAL DRIVE	99-04033
1-017-5406	BL	TRANSFORMER HIGH VOLTAGE	99-04034
1-021-0380	BL	SILICON RECTIFIER 1N3279	99-04023
1-021-0403	BL	SILICON RECTIFIER 1N3280	99-04024
1-021-0410	BL	SILICON RECTIFIER 1N3605	99-04022
1-021-0413	BL	BRIDGE RECTIFIER VS148	99-04016
1-021-0436	BL	SILICON RECTIFIER 1N5398	99-04026
1-021-0446	BL	DIODE ZENER 22V 1N5933	99-04019
1-021-0447	BL	SILICON RECTIFIER VG-1X	99-04025
1-021-0450	BL	HV RECTIFIER 8617C	99-04021
1-021-0451	BL	DIODE B599	99-04051
1-021-0452	BL	DIODE ZENER 1N5881	99-04018
1-021-0455	BL	DIODE ZENER 150V 1M1502	99-04028

ATARI, INC.
 COIN-OPERATED GAMES DIVISION
 CUSTOMER SERVICE

***** MONITOR CROSS REFERENCE LISTING *****
 SORT BY MANUFACTURER'S MODEL NO.

MFR. MODEL NO.	MFR	PART DESCRIPTION	PART NUMBER
1-025-0114	BL	IC HORIZONTAL PROCESSOR MC1391	99-04015
1-025-0116	BL	IC MC723	99-04017
1-028-0240	BL	FUSE BUS 1 AMP 250V W/LEADS	99-04020
1-029-0424B	BL	MONITOR PCB	99-04027
1-034-0290	BL	CONNECTOR 3 PIN	99-04054
1-034-0294	BL	CONNECTOR 3 PIN	99-04057
1-034-0306	BL	CONNECTOR 12 PIN	99-04052
1-034-0343	BL	CONNECTOR 12 PIN	99-04053
1-034-0347	BL	CONNECTOR 15 PIN	99-04056
1N4004	TC	DIODE SILICON 5340200280	99-070010
1N4006	TC	DIODE 5340200290	99-070014
1N444B	WG	RECTIFIER POWER 500V 66X0023-009	99-130116
1N5234	MO	DIODE ZENER	99-010174
1N5242	MO	DIODE ZENER 48 10813A03	99-010173
1N585A	TC	DIODE 12V 5340300220	99-070015
1N60	TC	DIODE 5340100040	99-070011
1S581	EH	DIODE	99-120423
1S1887	EH	DIODE	99-120425
1S2471V	EH	DIODE	99-120291
1S2473H	EH	DIODE	99-120292
1X0692-001	WG	BARRIER	99-130480
1Y25016A89	MO	PCB ASSY	99-010082
1Y25017A01	MO	MONITOR PCB KT 364LM	99-010001
1Y25017A02	MO	POWER AUDIO PCB KT365LM	99-010002
10-000138-01	EH	CHASSIS COMPLETE	99-120208
10-35-7562	BL	CAPACITOR .0056UF 2000V MYLAR	99-04035
10A1241-002	WG	KNOB GREY BRIGHTNESS	99-130464
1150258	SN	RADIATOR AFR	99-160544
1150428	SN	RADIATOR HMV	99-160545
12X1207-001	WG	CONNECTOR SOCKET CRT	99-130457
13X1201-001	WG	HV ASSY LEAD RECEP	99-130143
139003-1004	MA	MANUAL 19" COLOR RASTER	TM-220
139003-1006	DI	MANUAL 19" COLOR RASTER	TM-210
139003-1204	MA	MANUAL 19" COLOR RASTER	TM-197
139003-1205	SA	MANUAL 19" CLR RASTER	TM-205
14-25230A01	MO	INSULATOR	99-010170
14-25230A02	MO	INSULATOR	99-010081
14-543810	MO	INSULATOR	99-010144
14-562353	MO	INSULATOR	99-010144
14-000014-19	EH	FUSE 2 AMP 250V	99-120354
14-000505-02	EH	TRANSISTOR	99-120352
14-000514-20	EH	DIODE	99-120022
14-000514-30	EH	DIODE	99-120021
14-000514-36	EH	DIODE 1N914 (T1)	31-1N914
14-000514-37	EH	DIODE 1N100	31-1N100
14-000514-38	EH	DIODE 3A MR501 (MOTOROLA)	31-MR501

ATARI, INC.
 COIN-OPERATED GAMES DIVISION
 CUSTOMER SERVICE

***** MONITOR CROSS REFERENCE LISTING *****
 SORT BY MANUFACTURER'S MODEL NO.

MFR. MODEL NO.	MFR.	PART DESCRIPTION	PART NUMBER
14-000514-42	EH	DIODE	99-120350
14-000514-64	EH	DIODE	99-120023
14-000515-17	EH	DIODE ZENER 110V 5% 1N5272B	99-120177
14-000515-42	EH	DIODE ZENER	99-120024
14-000515-50	EH	DIODE ZENER	99-120025
14-000515-53	EH	DIODE ZENER	99-120026
14-000515-67	EH	DIODE ZENER 9.1V 5% 1N5239B	99-120147
14-000515-73	EH	DIODE ZENER 68V 5% 1N981B	99-120148
14-000515-74	EH	DIODE ZENER 27V 5W 5%	99-120170
14-000515-75	EH	DIODE ZENER 12V 1W 1N4742A	99-120119
14-000515-84	EH	DIODE ZENER 56V 1/2W 5%	99-120376
14-000516-04	EH	TRANSISTOR SCR MCR106-2	99-120150
14-000521-03	EH	DIODE LIGHT EMITTING RED	99-120112
14-000525-01	EH	DIODE 1N4001 (T1)	31-1N4001
14-000601-35	EH	TRANSISTOR	99-120035
14-000601-36	EH	TRANSISTOR 7644 (HITACHI)	99-120036
14-000660-12	EH	TRANSISTOR	99-120030
14-000802-12	EH	TRANSISTOR	99-120247
14-000802-32	EH	TRANSISTOR	99-120027
14-000806-12	EH	TRANSISTOR	99-120028
14-000855-32	EH	TRANSISTOR	99-120029
14-000867-32	EH	TRANSISTOR	99-120248
14-000873-32	EH	TRANSISTOR	46-203002
14-000903-23	EH	TRANSISTOR	99-120033
14-000904-12	EH	TRANSISTOR	99-120034
14-000910-13	EH	TRANSISTOR POWER	99-120044
14-000914-23	EH	TRANSISTOR	99-120031
14-000915-23	EH	TRANSISTOR	99-120032
14-000934-12	EH	TRANSISTOR MPSU57	99-120111
14-000935-12	EH	TRANSISTOR MPSU07	99-120110
14-000936-32	EH	TRANSISTOR MPSA06S	34-MPSA06S
14-000937-23	EH	TRANSISTOR TIP31B	99-120159
14-000940-01	EH	TRANSISTOR 2N3792 (T1)	99-120057
14-000941-01	EH	TRANSISTOR 2N3716 (T1)	99-120058
14-000942-23	EH	TRANSISTOR MJE51T	99-120158
14-000942-23	EH	TRANSISTOR	99-120158
14-000943-12	EH	TRANSISTOR TIS98	99-120108
14-000944-12	EH	TRANSISTOR MPSU03	99-120109
14-002032-01	EH	IC REGULATOR 5V MC7805	99-120037
14-002033-01	EH	IC MC7404	99-120038
14-002034-01	EH	IC MC7442	99-120039
14-002075-01	EH	REGULATOR 2N6057	99-120171
14-002076-01	EH	REGULATOR 2N6050	99-120172
1436	MO	LAMP 65 139451	99-010083
15 10183A22	MO	CONNECTOR PLUG 10 POS	99-010056
15 10390A06	MO	EDGE CARD HOUSING 12 POS	99-010078

ATARI, INC.
 COIN-OPERATED GAMES DIVISION
 CUSTOMER SERVICE

***** MONITOR CROSS REFERENCE LISTING *****
 SORT BY MANUFACTURER'S MODEL NO.

MFR	MODEL NO.	MFR	PART DESCRIPTION	PART NUMBER
15	10390A06	MO	CARD EDGE HOUSING 12 POS	99-010078
15	10183A69	MO	CONNECTOR 12 POSITION	99-010042
15	500073-01	EH	PCB GEOMETRY MFG #02-230010-05	99-120041
15	500074-01	EH	PCB VIDEO 8000/SOCKET PCB	99-120040
15	500075-01	EH	CONVERGENCE ASSY	99-120004
16	X0171-001	WG	FUSE HOLDER	99-130140
16	X0175-001	WG	FUSE .7 AMP SLO BLD 3AG	99-130142
16	X0176-001	WG	FUSE 1.5 AMP SLO BLD 3AG	99-130141
16	X0180-001	WG	FUSE 5A SLO BLD	99-130418
16	X0181-001	WG	FUSE 2A NB	99-130420
16	X0182-001	WG	FUSE CLIPS	99-130551
16	X0183-001	WG	FUSE 1A SLO-BLD	99-130419
16	X0184-001	WG	FUSE 3ANB	99-130552
17	6582A37	MO	CONTROL	99-010060
17	006152-05	EH	CRT	99-120396
17	006202-01	EH	CRT 19" 19VARP4 (SYLVANIA)	99-010178
17	007198-02	EH	CRT 19" 19VJTP22	99-120215
17	007198-03	EH	CRT 19" COLOR	99-120427
17	10130B07	MO	RESISTOR 1500 OHMS	99-010091
17	10731A01	MO	RESISTOR 3.9K 5% 5W	99-010165
17	10731A03	MO	RESISTOR 1.5K 10% 5W	99-010169
17	135204	MO	RESISTOR 100 OHM 10% 5W	99-010164
17	135204	MO	RESISTOR 100 OHMS 5W 10%	99-010164
17	135589	MO	RESISTOR 150 OHM 10% 10W	99-010033
17	139577	MO	RESISTOR 14 OHM 5W 10% WIREWOUND	99-010054
18	25212A10	MO	POT	99-010136
18	25212A12	MO	POT	99-010137
18	25217A03	MO	CONTROL	99-010130
18	25218A10	MO	POT	99-010076
18	25218A14	MO	CONTROL 2 M FOCUS RESISTOR	99-010166
18	25218A14	MO	RESISTOR FOCUS CONTROL 2	99-010166
18	252212A11	MO	POT	99-010138
18	25245A01	MO	CONTROL	99-010151
18	25245A04	MO	POT	99-010139
18	25245A27	MO	CONTROL	99-010145
18	25245A28	MO	CONTROL 200R	99-010167
18	25245A29	MO	CONTROL	99-010149
18	25245A31	MO	CONTROL	99-010150
18	66401A44	MO	POT	99-010139
18	67671A18	MO	CONTROL 150HMS	99-010032
18	68222A35	MO	POT	99-010136
18	68222A36	MO	POT	99-010138
18	68222A37	MO	POT	99-010137
18	25212A09	MO	POT	99-010135
18	25245A21	MO	RESISTOR	99-010168
18	25245A27	MO	CONTROL	99-010148

ATARI, INC.
COIN-OPERATED GAMES DIVISION
CUSTOMER SERVICE

***** MONITOR CROSS REFERENCE LISTING *****
SORT BY MANUFACTURER'S MODEL NO.

MFR. MODEL NO.	MFR	PART DESCRIPTION	PART NUMBER
18-66401A54	MO	CONTROL	99-010053
18-67858A12	MO	POT	99-010076
18-68222A34	MO	POT	99-010135
19VARP4	MO	CRT 19" 96 241A01	99-010179
19VARP4/M50-102W	WG	CRT 88X0122-056	99-130456
19VEWP22	EH	CRT 19"	99-120002
19VJTP22	WG	CRT 88X 0129 506	99-190342
19VLUP22	WG	CRT 88X0135-506	99-130472
2A0623-005	WG	FERRITE BEAD	99-130558
2A0684-001	WG	LATERAL PURITY	99-130478
20S525R	WG	TRANSISTOR 86X0129-001	99-130447
2N3716	WG	TRANSISTOR 86X0123-001	99-130416
2N3792	WG	TRANSISTOR 86X0124-001	99-130417
2N3792X	WG	TRANSISTOR 86X0135-001	99-130467
2N3904	WG	TRANSISTOR 86X0113-001	99-130413
2SA4900YLBGLI	WG	TRANSISTOR 200X4049-081	99-130297
2SA564A	MA	BUFFER	99-150481
2SA673	EH	TRANSISTOR	99-120418
2SA826	WG	TRANSISTOR 200X4082-614	99-130295
2SA854	WG	TRANSISTOR 200X4085-415	99-130300
2SA940R	SA	TRANSISTOR Q6586DR	99-160579
2SB642	MA	TRANSISTOR	99-150567
2SC1106A	EH	TRANSISTOR SI	99-120214
2SC122B	MA	TRANSISTOR 12V REGULATOR	99-150564
2SC1413AV	EH	TRANSISTOR	99-120213
2SC1454	WG	TRANSISTOR 200X3145-404	99-130314
2SC1473NC	MA	TRANSISTOR AMP	99-150569
2SC1514	WG	TRANSISTOR 2SC2068 200X3206-800	99-130337
2SC1514VC	EH	TRANSISTOR	99-120404
2SC1573NC	MA	TRANSISTOR VIDEO OUTPUT	99-150016
2SC1573PQ	MA	REFERENCE AMPLIFIER	99-150483
2SC1573PQ	MA	AMPLIFIER REFERENCE	99-150483
2SC1625YLBGLI	WG	TRANSISTOR 200X3162-538	99-130298
2SC1629	MA	TRANSISTOR	99-150018
2SC1629M	MA	REGULATOR B+	99-150482
2SC1683LB	MA	TRANSISTOR V OUTPUT	99-150562
2SC1685	EH	TRANSISTOR	99-120417
2SC1685	MA	TRANSISTOR	99-150019
2SC1722BKS	WG	TRANSISTOR 200X3172-208	99-130301
2SC1723	WG	TRANSISTOR 200X3172-305	99-130315
2SC1740	WG	TRANSISTOR 200X3174-006	99-130296
2SC17400R	WG	200X3174-014	99-130299
2SC1753	MA	TRANSISTOR REFERENCE AMPLIFIER	99-150020
2SC1890A (E.F.)	EH	TRANSISTOR	99-120290
2SC1905	MA	TRANSISTOR	99-150016
2SC1905HLB	MA	TRANSISTOR	99-150565

A T A R I , I N C .
 C O I N - O P E R A T E D G A M E S D I V I S I O N
 C U S T O M E R S E R V I C E

***** MONITOR CROSS REFERENCE LISTING *****
 SORT BY MANUFACTURER'S MODEL NO.

MFR. MODEL NO.	MFR	PART DESCRIPTION	PART NUMBER
25C2068	WG	TRANSISTOR 200X3206-800	99-130337
25C2073R	SA	TRANSISTOR Q6548DR	99-160578
25C2371V	EH	TRANSISTOR	99-120287
25C2551	SA	TRANSISTOR Q68030	99-160580
25C2610	EH	TRANSISTOR	99-120419
25C2611	EH	TRANSISTOR	99-120245
25C2688 (K.L.M.)	EH	TRANSISTOR	99-120289
25C2923RL	MA	TRANSISTOR CRT DRIVE	99-150560
25C454(C)	EH	TRANSISTOR	99-120288
25C536	SA	TRANSISTOR Q5053G	99-160513
25C564A	MA	TRANSISTOR	99-150014
25D1090	SA	TRANSISTOR Q6819Z	99-160469
25D1507	SA	TRANSISTOR CCHAK151	99-160471
25D478	EH	TRANSISTOR	99-120286
25D637	MA	TRANSISTOR	99-150566
25D63710	MA	TRANSISTOR VIDEO AMP	99-150730
25D649	MA	TRANSISTOR	99-150017
25D659Q	MA	TRANSISTOR H OUTPUT	99-150563
25D692	MA	TRANSISTOR B REGULATOR	99-150568
25D869	SA	TRANSISTOR Q6574Z	99-160465
25D870	EH	TRANSISTOR	99-120429
25D870	EH	TRANSISTOR	99-160014
20WP4	MD	CRT 19"	99-010040
20X9600-845	WG	CONNECTOR PLUG 4CKT	99-130363
200X010-102	WG	DIODE MA26W	99-130305
200X3145-404	WG	TRANSISTOR 25C1454	99-130314
200X3162-538	WG	TRANSISTOR 25C1625YLBGLI	99-130298
200X3172-208	WG	TRANSISTOR 25C1722BK5	99-130301
200X3172-305	WG	TRANSISTOR 25C1723	99-130315
200X3174-006	WG	TRANSISTOR 25C1740	99-130296
200X3174-014	WG	TRANSISTOR 25C1740R	99-130299
200X3189-304	WG	TRANSISTOR 25C1893	99-130176
200X3206-800	WG	TRANSISTOR 25C2068 25C1514	99-130337
200X4049-081	WG	TRANSISTOR 25A4900YLBGLI	99-130297
200X4082-614	WG	TRANSISTOR 25A826	99-130295
200X4085-415	WG	TRANSISTOR 25A854	99-130300
200X8000-026	WG	DIODE IN60TVGL GE	99-130302
200X8010-094	WG	DIODE 1S2473	99-130306
200X8010-165	WG	DIODE 1S581	99-130303
200X8100-130	WG	DIODE RU-1 .3 US	99-130308
200X8130-171	WG	DIODE 5B-2CGL 1200V	99-130178
200X8220-851	WG	DIODE RD10EBI	99-130307
201X0000-534	WG	THERMISTOR	99-130311
201X011-034	WG	THERMISTOR	99-130229
201X022-007	WG	VARIATOR	99-130230
201X2010-144	WG	DIODE TS2473-T22	99-130179

A T A R I , I N C .
C O I N - O P E R A T E D G A M E S D I V I S I O N
C U S T O M E R S E R V I C E

***** MONITOR CROSS REFERENCE LISTING *****
SORT BY MANUFACTURER'S MODEL NO.

MFR. MODEL NO	MFR	PART DESCRIPTION	PART NUMBER
201X2010-165	WG	DIODE ISS81	99-130304
201X2100-119	WG	DIODE 0.8 US RC-2V	99-130180
201X2100-126	WG	DIODE ISC367	99-130338
201X2130-234	WG	DIODE RU-2V	99-130181
201X2230-042	WG	DIODE EQB01-06V	99-130316
201X3100-080	WG	TRANSFORMER HORIZ DRIVE	99-130187
201X3130-109	WG	RECTIFIER 600V RM 20V	99-130177
201X4100-024	WG	COIL PEAKING 22UH	99-130184
201X4600-042	WG	COIL FILTER 10UH	99-130183
201X5200-091	WG	COIL HORIZ OSC	99-130312
201X6000-112	WG	COIL LINE FILTER R-3	99-130182
201X9500-337	WG	TRANSFORMER AUDIO OUTPUT	99-130186
20208065-499	WG	CAPACITOR 47PF 500V CER	99-130203
202X1110-810	WG	YOKE DEFLECTION	99-130345
202X1110-810	WG	DEFLECTION YOKE	99-130345
202X1210-191	WG	TRANSFORMER SIDE PC	99-130188
202X700-247	WG	CAPACITOR 1000PF 50V 10% CER	99-130282
202X7000-247	WG	CAPACITOR 1000PF 50V 10%	99-130289
202X7000-281	WG	CAPACITOR 1500PF 50V 10% CER	99-130277
202X7000-327	WG	CAPACITOR 2200PF 50V CER 10%	99-130213
202X7000-482	WG	CAPACITOR 0.01UF 50V 10%	99-130291
202X7110-019	WG	CAPACITOR 1500PF 2KV 10%	99-130334
202X7150-018	WG	CAPACITOR 100PF 12KV 10%	99-130335
202X7810-214	WG	CAPACITOR 2200 PF 125V CER	99-130191
202X8000-164	WG	CAPACITOR 6PF 50V .5PF CER	99-130217
202X8000-550	WG	CAPACITOR 68PF 50V 10%	99-130336
202X8000-577	WG	CAPACITOR 82PF 50V CER 5%	99-130205
202X8000-616	WG	CAPACITOR 100PF 50V 10% CER	99-130281
202X8065-461	WG	CAPACITOR 39PF 500V CER 10%	99-130212
202X8105-014	WG	CAPACITOR 3PF 2KV .5 PF CER	99-130218
202X8140-022	WG	CAPACITOR 100PF 3KV CER 10%	99-130198
203X0005-029	WG	CAPACITOR 470U 6.3V ELEC	99-130215
203X0005-046	WG	CAPACITOR 220UF 10V ELEC	99-130313
203X0010-011	WG	CAPACITOR 22UF 16V ELEC	99-130268
203X0015-006	WG	CAPACITOR 33UF 25V ELEC	99-130201
203X0015-021	WG	CAPACITOR 100UF 25V ELEC	99-130210
203X0015-035	WG	CAPACITOR 220UF 25V ELEC	99-130200
203X0015-053	WG	CAPACITOR 470UF 25V ELEC	99-130209
203X0015-082	WG	CAPACITOR 10UF 25V ELEC	99-130279
203X0015-105	WG	CAPACITOR 4.7UF 25V ELEC	99-130283
203X0025-019	WG	CAPACITOR 1UF 50V ELEC	99-130204
203X0025-026	WG	CAPACITOR 2.2UF 50V ELEC	99-130267
203X0025-058	WG	CAPACITOR 10UF 50V ELEC	99-130293
203X0025-087	WG	CAPACITOR 47UF 50V ELEC	99-130278
203X0040-013	WG	CAPACITOR 4.7UF 160V ELEC	99-130286
203X0040-052	WG	CAPACITOR 47UF 160V ELEC	99-130195

ATARI, INC.
 COIN-OPERATED GAMES DIVISION
 CUSTOMER SERVICE

***** MONITOR CROSS REFERENCE LISTING *****
 SORT BY MANUFACTURER'S MODEL NO.

MFR. MODEL NO.	MFR	PART DESCRIPTION	PART NUMBER
203X0220-043	WG	CAPACITOR 330UF 200V ELEC	99-130192
203X0315-033	WG	CAPACITOR 2.2UF 50V ELEC	99-130216
203X1100-220	WG	CAPACITOR 3300UF 50V 10%	99-130280
203X1100-509	WG	CAPACITOR 0.015UF 50V 10%	99-130292
203X1201-013	WG	CAPACITOR 0.015UF 200V 10%	99-130284
203X1201-034	WG	CAPACITOR 0.018UF 200V 10%	99-130290
203X1202-034	WG	CAPACITOR 0.018UF 200V 10%	99-130285
203X1205-487	WG	CAPACITOR 0.01UF 630V 10%	99-130294
203X1270-470	WG	CAPACITOR 6900 PF 1.5K 5%	99-130214
203X5102-155	WG	RESISTOR 5% 1/4W 270K	99-130328
203X5202-320	WG	RESISTOR 5% 1/2W 680K	99-130156
203X5500-471	WG	RESISTOR 27 OHM 1/4W 5%	99-130252
203X5601-313	WG	RESISTOR 10% 1/2W 2.7K	99-130324
203X5601-906	WG	RESISTOR 68K 1/2W 5%	99-130163
203X5602-156	WG	RESISTOR 5% 1/2W 270	99-130157
203X5602-185	WG	RESISTOR 10% 1/2W 330K	99-130326
203X5602-254	WG	RESISTOR 10% 1/2W 470K	99-130325
203X6000-002	WG	RESISTOR 5% 1/8W 2.2	99-130167
203X6000-608	WG	RESISTOR 5% 1/8W 100	99-130271
203X6000-960	WG	RESISTOR 5% 1/8W 1K	99-130272
203X6000-998	WG	RESISTOR 1.2K OHMS 1/8W 5%	99-130253
203X6001-148	WG	RESISTOR 3.3K OHM 1/8W 5%	99-130256
203X6001-326	WG	RESISTOR 5% 1/8W 10K	99-130287
203X6104-751	WG	RESISTOR 2.7K OHMS 1/4W 5%	99-130260
203X6202-441	WG	RESISTOR 2.2 OHMS 1/2W 5%	99-130241
203X6206-441	WG	RESISTOR 5% 1/2W 2.2	99-130288
203X6500-169	WG	RESISTOR 100 OHMS 1/8W 5%	99-130242
203X6500-246	WG	RESISTOR 5% 1/8W WW	99-130153
203X6500-326	WG	RESISTOR 47 OHM 1/8W 5%	99-130246
203X6500-420	WG	RESISTOR 5% 1/8W 120 OHM	99-130240
203X6500-447	WG	RESISTOR 5% 1/8W 150	99-130320
203X6500-468	WG	RESISTOR 180 1/8W 5%	99-130174
203X6500-481	WG	RESISTOR 5% 1/8W 220	99-130321
203X6500-508	WG	RESISTOR 5% 1/8W 270	99-130160
203X6500-561	WG	RESISTOR 470 OHMS 1/8W 5%	99-130250
203X6500-628	WG	RESISTOR 5% 1/8 W 820 OHM	99-130231
203X6500-645	WG	RESISTOR 5% 1/8W 1K	99-130169
203X6500-666	WG	RESISTOR 1.2K 1/8W 5%	99-130251
203X6500-689	WG	RESISTOR 5% 1/8W 1.5K	99-130161
203X6500-709	WG	RESISTOR 5% 1/8 W 1.8K	99-130319
203X6500-724	WG	RESISTOR 2.2K OHMS 1/8W 5%	99-130295
203X6500-741	WG	RESISTOR 5% 1/8W 2.7K	99-130158
203X6500-762	WG	RESISTOR 3.3K 1/8W 5%	99-130170
203X6500-783	WG	RESISTOR 3.9K OHMS 1/8W 5%	99-130249
203X6500-785	WG	RESISTOR 3.9K OHMS 1/8W 5%	99-130258
203X6500-800	WG	RESISTOR 5% 1/8W 4.7K	99-130322

ATARI, INC.
COIN-OPERATED GAMES DIVISION
CUSTOMER SERVICE

***** MONITOR CROSS REFERENCE LISTING *****
SORT BY MANUFACTURER'S MODEL NO.

MFR. MODEL NO.	MFR	PART DESCRIPTION	PART NUMBER
203X6500-842	WG	RESISTOR 5% 1/8W 6.8K	99-130275
203X6500-886	WG	RESISTOR 10K OHMS 1/8W 5%	99-130233
203X6500-902	WG	RESISTOR 5% 1/8W 12K OHM	99-130232
203X6500-927	WG	RESISTOR 15K 1.8W 5%	99-130172
203X6500-944	WG	RESISTOR 18K OHM 1/8W 5%	99-130248
203X6500-988	WG	RESISTOR 27K OHMS 1/2W 5%	99-130248
203X6501-002	WG	RESISTOR 33K 1/8W 5%	99-130171
203X6501-044	WG	RESISTOR 47K OHMS 1/8W 5%	99-130239
203X6501-065	WG	RESISTOR 56K OHMS 1.8W 5%	99-130237
203X6501-088	WG	RESISTOR 5% 1/8W 68K	99-130159
203X6501-126	WG	RESISTOR 100K OHMS 1/8W 5%	99-130238
203X6501-209	WG	RESISTOR 220K OHM 1/8W 5%	99-130247
203X6501-241	WG	RESISTOR 330K OHMS 1/8W 5%	99-130234
203X6501-285	WG	RESISTOR 470K OHMS 1/8W 5%	99-130236
203X6502-648	WG	RESISTOR 3.9M 1/2W 5%	99-130173
203X6700-509	WG	RESISTOR 560 OHM 1/2W 5%	99-130243
203X6700-562	WG	RESISTOR 5% 1/2W 1K	99-130154
203X6700-989	WG	RESISTOR 56K OHMS 1/2W 5%	99-130255
203X9010-757	WG	RESISTOR 5% 1W 1.2K	99-130155
203X9014-585	WG	RESISTOR 5% 1W 1K	99-130149
203X9014-603	WG	RESISTOR 5% 1W 1.2K	99-130152
203X9014-842	WG	RESISTOR 5% 1W 12K	99-130168
203X9014-965	WG	RESISTOR 5% 1W 39K	99-130274
203X9014-988	WG	RESISTOR 47K OHMS 1W 5%	99-130254
203X9015-087	WG	RESISTOR 10% 5W 2.2	99-130164
203X9100-121	WG	RESISTOR 22 OHMS 2W 5%	99-130244
203X9104-809	WG	RESISTOR 5% 2.0W 12K	99-130323
203X9105-117	WG	RESISTOR 10% 2W 1.0	99-130327
2036205-843	WG	RESISTOR 5% 1/2W 1K	99-130613
204X1425-021	WG	RESISTOR 10% 5W 470	99-130150
204X1450-508	WG	RESISTOR 10% 5W 2.7K	99-130151
204X1625-058	WG	RESISTOR 10% 10W 3.3K	99-130332
204X1725-052	WG	RESISTOR 10% 15W 180K	99-130270
204X1725-052	WG	RESISTOR 1800HM 15W	99-130270
204X2000-024	WG	VARIISTOR 1M	99-130331
204X2050-001	WG	VARIISTOR VERT ADJ	99-130276
204X2114-059	WG	VARIISTOR 50K OHMS	99-130263
204X2114-065	WG	VARIISTOR 20K OHM	99-130262
204X2115-005	WG	VARIISTOR 5K	99-130330
204X2115-014	WG	VARIISTOR 50	99-130329
204X2122-093	WG	VARIISTOR 250K OHMS	99-130261
204X3901-125	WG	FOCUS CONTROL	99-130333
204X7120-062	WG	FUSE UL/CSA 3A-12B	99-130220
204X9300-958	WG	CONNECTOR SOCKET 6CKT	99-130309
204X9600-249	WG	CONNECTOR PLUG 2 CKT	99-130227
204X9600-254	WG	CONNECTOR PLUG 3CKT	99-130223

ATARI, INC.
 COIN-OPERATED GAMES DIVISION
 CUSTOMER SERVICE

***** MONITOR CROSS REFERENCE LISTING *****
 SORT BY MANUFACTURER'S MODEL NO.

MFR. MODEL NO.	MFR	PART DESCRIPTION	PART NUMBER
204X9600-260	WG	CONNECTOR PLUG 3CKT	99-130222
204X9600-298	WG	CONNECTOR PLUG 4CKT	99-130224
204X9600-329	WG	CONNECTOR PLUG 5CKT	99-130341
204X9600-351	WG	CONNECTOR PLUG 6CKT	99-130225
204X9600-380	WG	CONNECTOR PLUG 6 CKT	99-130226
204X9600-670	WG	CONNECTOR PLUG 2 CKT	99-130228
204X9601-195	WG	CONNECTOR PLUG 6 CKT	99-130310
205X9800-256	WG	LATERAL PURITY	99-130344
206X5003-729	WG	CONNECTOR SOCKET 5CKT	99-130339
206X5003-960	WG	CONNECTOR SOCKET 6 CKT	99-130221
206X5003-983	WG	CONNECTOR SOCKET 4 CKT	99-130340
206X5019-207	WG	CONNECTOR SOCKET 4CK	99-130362
208X2000-946	WG	SOCKET CRT	99-130346
2082400901	WG	WEDGE DEFLECTION YOKE	99-130477
21-000122-03	EH	YOKE DEFLECTION	99-120003
21-000122-07	EH	YOKE DEFLECTION	99-120047
21-000139-02	EH	YOKE DEFLECTION	99-120178
21-000139-02	EH	YORK DEFLECTION	99-120178
21-000234-02	EH	TRANSFORMER FLYBACK	99-120005
21-001007-30	EH	COIL	99-120445
21-001007-30	EH	COIL DEGAUSSING	99-120310
21-001007-30	EH	DEGAUSSING COIL	99-120310
21-001070-02	EH	COIL HORIZ. DSC.	99-120042
21-001099-02	EH	COIL PIN PHASE	99-120010
21-001126-01	EH	COIL 3.58MHZ	99-120146
21-001148-01	EH	COIL HORIZ. LINEARITY	99-120008
21-001410-02	EH	CHOKO 12UH	99-120179
22153036	TC	PCB MAIN	99-070003
22365040	TC	PCB 3, CRT PCB TM-600	99-070043
22453035	TC	PCB 2.5 VOLT	99-070044
22453035	TC	PCB 2 TV PCB	99-070044
23 10255A11	MO	CAP 2000UF 35V ELECTRO	99-010088
23 10255A27	MO	CAPACITOR 47UF 16V	99-010157
23 10255A30	MO	CAP 1500UF 30V ELECTRO	99-010089
23 10255B45	MO	CAP 400UF 125V ELEC	99-010106
23 10255B46	MO	CAP 5000UF 20V ELECTRO	99-010129
23-65282A41	MO	USE 99-010128	99-010003
23JEP4	MO	CRT 23"	99-010041
230X60000-8797	WG	RESISTOR 5% 1/8W 560	99-130273
24 25000A74	MO	COIL	99-010052
24 2524BB11	MO	COIL HORIZ	99-010114
24 2524BA14	MO	COIL HORIZ	99-010115
24 25261A03	MO	COIL DEFLECTION	99-010107
24 25261A03	MO	DEFLECTION COIL	99-010107
24 25261A04	MO	COIL DEFLECTION	99-010108
24 25261A04	MO	DEFLECTION COIL	99-010108

ATARI, INC.
 COIN-OPERATED GAMES DIVISION
 CUSTOMER SERVICE

***** MONITOR CROSS REFERENCE LISTING *****
 SORT BY MANUFACTURER'S MODEL NO.

MFR. MODEL NO.	MFR	PART DESCRIPTION	PART NUMBER
24-25261A09	MO	COIL DEF M5000 155 M5010 155	99-010181
24-25261A10	MO	COIL M7000 155 DEFLEC	99-010123
24-25261A10	MO	DEFLECTION COIL	99-010123
24-25448A01	MO	HORIZON. COIL	99-010158
24-25603A09	MO	COIL HORIZ	99-010122
24-68523A05	MO	COIL DEFLECTION	99-010104
24-68523A05	MO	DEFLECTION COIL	99-010104
24-68523A15	MO	COIL DEFLECTION	99-010015
24-68523A15	MO	DEFLECTION COIL	99-010015
24-68801A67	MO	COIL	99-010050
24-68822A08	MO	COIL HORIZ OSC	99-010049
24-140008-01	EH	TRANSFORMER PINCUSHION	99-120009
24-180001-01	EH	TRANSFORMER HV 19" X-Y	99-120139
24-180001-01	EH	HIGH VOLT TRANSFORMER	99-120139
24-180001-01	EH	TRANSFORMER HV	99-120139
24-180001-02	EH	EHT FLYBACK TRANSFORMER	99-120377
24-180001-02	EH	FLYBACK EHT TRANSFORMER	99-120377
24-180001-02	EH	TRANSFORMER EHT FLYBACK	99-120377
24-25240A04	MO	TRANSFORMER	99-010037
24-25240A07	MO	TRANSFORMER	99-010066
24-25240A08	MO	TRANSFORMER	99-010064
24-25240A12	MO	TRANSFORMER	99-010134
24-25240B23	MO	TRANSFORMER	99-010117
24-25261A02	MO	YOKE	99-010143
24-25687A02	MO	YOKE	99-010143
24-25687A03	MO	YOKE	99-010185
24-68801A67	MO	COIL	99-010050
24-68822A08	MO	COIL HORIZ. OSC.	99-010049
24-69163A18	MO	COIL	99-010051
24-69791A11	MO	TRANSFORMER HORIZONTAL DRIVE	99-010186
24-69791B17	MO	TRANSFORMER	99-010064
24075094	TC	CAPACITOR 450UF 200V	99-070039
25-25221C12	MO	CHOKE VERTICAL	99-010111
25-25221A05	MO	TRANSFORMER	99-010132
25-25221A07	MO	TRANSFORMER	99-010038
25-25221B12	MO	TRANSFORMER	99-010113
25-25239A04	MO	TRANSFORMER	99-010095
25-25239A07	MO	TRANSFORMER	99-010077
25-25239B07	MO	TRANSFORMER	99-010100
25-25239B20	MO	TRANSFORMER	99-010159
25-25239B30	MO	TRANSFORMER	99-010116
25-25240A23-185	MO	TRANSFORMER	99-010112
25-6814A27	MO	TRANSFORMER	99-010046
25-68164B07	MO	TRANSFORMER	99-010133
25VCNP22	EH	CRT 25"	99-120001
25X2980-001	WG	HEATSINK	99-130563

A T A R I , I N C .
 C O I N - O P E R A T E D G A M E S D I V I S I O N
 C U S T O M E R S E R V I C E

***** MONITOR CROSS REFERENCE LISTING *****
 SORT BY MANUFACTURER'S MODEL NO.

MFR. MODEL NO.	MFR	PART DESCRIPTION	PART NUMBER
25X2998-001	WG	PLUG MTG	99-130482
25X3002-001	WG	HOUSING HV	99-130501
26 66745A05	MO	HEAT SINK	99-010126
27-000005-07	EH	FUSE 5 AMP SLOW BLOW	99-120173
27-000006-23	EH	FUSE 75A 250V SLOW BLOW	99-120151
27-000011-05	EH	LAMP NEON NE-2	99-120122
27-000011-10	EH	LAMP NEON NE2H	99-120105
27-000014-09	EH	FUSE 1 AMP	99-120201
27-000034-01	EH	FUSE 2 AMP RADIAL LEAD	99-120121
28-000022-25	EH	RECTIFIER	99-120019
28-000022-27	EH	RECTIFIER	99-120017
28-000022-27	EH	RECTIFIER 1 AMP 600V	99-120446
28-000022-29	EH	RECTIFIER VG2X	99-120020
28-000022-36	EH	RECTIFIER	99-120018
28-000037-01	EH	TRIPLER/FOCUS RESISTOR	99-120006
28-000042-01	EH	RECTIFIER EHT	99-120379
28-000044-01	EH	DIODE FAST RECOVERY	99-120106
28-000044-01	EH	DIODE FAST RECOVERY BY2081000	99-120176
28-000044-01	EH	DIODE 1A 600IV	99-120176
28-000046-02	EH	RECTIFIER BRIDGE	99-120167
28-00043-01	EH	DOUBLER HV	99-120140
28X0789-001	WG	SPRING DAG GROUNDING	99-130144
28X0793-001	WG	GROUNDING SPRING	99-130458
297X2000-072	WG	HIGH VLTG UNIT ASY	99-130347
3A0614-001	WG	SOCKET POWER TRANSISTOR	99-130522
3A0624-001	WG	SOCKET TRANSISTOR	99-130497
3A0627-001	WG	CONNECTOR HOUSING 1CKT	99-130540
3A0627-002	WG	CONNECTOR AMP 350342-2	99-130486
3A0627-003	WG	CONNECTOR AMP 350342-3	99-130496
3A0629-005	WG	CONNECTOR #5 AMP SCKT	99-130494
3A0629-007	WG	CONNECTOR RCPT 7CKT	99-130422
3A0629-008	WG	CONNECTOR #22 AMP 8 CKT	99-130493
3A0629-010	WG	CONNECTOR RCPT 10CKT	99-130421
3A0631-001	WG	CAPACITOR 3CKT	99-130502
3A0632-001	WG	SOCKET CRT	99-130532
30-100120-03	EH	HEATSINK EXTRUSION	99-120059
30-100120-04	EH	HEATSINK EXTRUSION	99-120174
30X04748-001	WG	PIN MALE	99-130503
30X0754-001	WG	CONNECTOR RCPT AMP 350850-1	99-130495
30X0757-001	WG	KEY PLUG	99-130481
30X0761-001	WG	CONNECTOR PIN AMP #350538-1	99-130600
30X0764-001	WG	TERMINAL	99-130521
30X0768-001	WG	PIN FEMALE	99-130544
302X6100-961	WG	RESISTOR 1K OHMS 1/4W 5%	99-130259
304X2155-934	WG	RESISTOR 5% 1/4W 1.5M	99-130382
304X2155-934	WG	RESISTOR 5% 1/4W 1.5M	99-130370

A T A R I , I N C .
C O I N - O P E R A T E D G A M E S D I V I S I O N
C U S T O M E R S E R V I C E

***** MONITOR CROSS REFERENCE LISTING *****
SORT BY MANUFACTURER'S MODEL NO.

MFR. MODEL NO.	MFR.	PART DESCRIPTION	PART NUMBER
31-IN100	EH	DIODE IN100	99-120118
31-IN4001	EH	DIODE 50V 1A	99-120107
31-IN914	EH	DIODE SW 75V 250MW	99-120117
31-MR501	EH	DIODE MR501	99-120183
31-IN100	EH	DIODE IN100	99-120118
31-IN4001	EH	DIODE 50V 1A	99-120107
31-IN914	EH	DIODE SW 75V 250MW	99-120117
31-600418-06	EH	SCREW MACH #4-1/2	99-120355
31-600618-10	EH	SCREW MACH #6-5/8	99-120356
31-601418-12	EH	SCREW 1/4 X 3/4	99-120430
31-610418-06	EH	SCREW SELF TAP #4-3/8	99-120380
31-610618-06	EH	SCREW #6-3/8	99-120395
31-610818-06	EH	SCREW SELF TAP #8-3/8	99-120381
31-620618-08	EH	TRANSISTOR MOUNT	99-120366
31-620818-14	EH	PCB MOUNT	99-120365
310GNB4A	TC	CRT 12" 5380000120	99-070083
32-000044-04	EH	GROMMET RUBBER	99-120399
32X0509-001	WG	SHIELD PURITY	99-130498
320X2000-000	WG	WIRE #20 BARE	99-130559
33-000009-01	EH	NUT HEX 4-40	99-120397
33-000024-05	EH	LOCKWASHER #4	99-120398
33-000025-01	EH	WASHER #8	99-120385
33-000030-07	EH	NUT #440	99-120357
33-000210-50	EH	WASHER .468 X .187	99-120386
33-000255-01	EH	WASHER LOCK	99-120431
33-000440-01	EH	NUT #6	99-120358
33-000446-03	EH	CLIP FUSE MTG	99-120152
33-000479-02	EH	CAPACITOR CLAMP MTG	99-120175
33-000494-01	EH	NUT RETAINING	99-120432
33-000585-22	EH	SCREW #8-32-3/8	99-120394
33-000629-02	EH	CLIP PCB SUPPORT	99-120433
33-000629-02	EH	PCB CLIP SUPPORT	99-120364
33-670-010R-02	EH	STANDOFF	99-120434
34 2X5642 049	?	CAP	99-010003
34-MPSA06S	EH	TRANSISTOR NPN MPSA06S	99-120149
34-0X3047-934	WG	RESISTOR 5% 1/2W 4.7 OHM	99-130432
34-000033-04	EH	LUG TERMINAL	99-120436
34-000213-12	EH	CONNECTOR SOCKET CRT	99-120185
34-000213-13	EH	SOCKET CRT	99-120388
34-000213-14	EH	SOCKET CRT	99-120400
34-000228-09	EH	WIRE GROUND STRAP	99-120435
34-000490-01	EH	PIN RADIO	99-120359
34-000492-09	EH	TERM STRIP 4 CKT	99-120451
34-000492-09	EH	TERM STRIP 4 CKT	99-120313
34-000515-03	EH	SOCKET TRANSISTOR OUTPUT	99-120367
34-000515-04	EH	SOCKET TRANSISTOR	99-120060

ATARI, INC.
 COIN-OPERATED GAMES DIVISION
 CUSTOMER SERVICE

***** MONITOR CROSS REFERENCE LISTING *****
 SORT BY MANUFACTURER'S MODEL NO.

MFR. MODEL NO.	MFR	PART DESCRIPTION	PART NUMBER
34-000548-06	EH	CONNECTOR 6 CKT	99-120309
34-000550-01	EH	TERMINAL CRIMP	99-120061
34-000552-01	EH	CONNECTOR KEY	99-120064
34-000557-02	EH	CONNECTOR WAFER	99-120153
34-000557-08	EH	CONNECTOR WAFER	99-120154
34-000557-18	EH	TERMINAL PIN	99-120182
34-000574-02	EH	GROUND STRAP ASSY	99-120437
34-000594-02	EH	SOCKET TRANSISTOR	99-120155
34-000621-03	EH	CONNECTOR WAFER	99-120115
34-000621-05	EH	CONNECTOR WAFER	99-120116
34-000621-07	EH	CONNECTOR WAFER	99-120120
34-000621-10	EH	CONNECTOR 10 PIN	99-120360
34-000655-02	EH	CONNECTOR	99-120187
34-000655-03	EH	CONNECTOR	99-120186
34-000655-07	EH	CONNECTOR 7 PIN	99-120390
34-000655-07	EH	CONNECTOR NYLON	99-120188
34-000655-08	EH	CONNECTOR	99-120062
34-000655-10	EH	CONNECTOR 10 PIN	99-120387
34-000677-32	EH	RECEPTACLE 12 PIN	99-120391
34-000697-01	EH	GROUND STRAP ASSY	99-120190
34-000699-01	EH	TERMINAL RING	99-120389
34-000708-01	EH	TERMINAL PIN	99-120447
34-000709-01	EH	TERMINAL HOUSING	99-120448
34-000711-01	EH	CONNECTOR WAFER	99-120181
34-000717-01	EH	CONNECTOR AND LEAD HV	99-120382
34-000717-01	EH	HIGH VOLT CONNECTOR AND LEAD	99-120382
34-120388	EH	SOCKET CRT	99-120378
34X03181-934	WG	RESISTOR 5% 1/2W 180 OHM	99-130441
34X03515-834	WG	RESISTOR 5% 1/2W 5.1M OHM	99-130442
34X06047-631	WG	RESISTOR 5% 3W 4.7OHM	99-130440
34X3100-941	WG	RESISTOR 10% 1/2W 10	99-130057
34X3101-941	WG	RESISTOR 100K 1/2W	99-130050
34X4563-931	WG	RESISTOR 5% 1W 56K OHM	99-130508
34X5220-743	WG	RESISTOR 10% 22 OHM 2W	99-130549
340X0181-341	WG	RESISTOR 10% 10W 180K	99-130052
340X2100-934	WG	RESISTOR 10 1/4W 5%	99-130591
340X2101-851	WG	RESISTOR 20% 1/4W 100	99-130381
340X2101-934	WG	RESISTOR 5% 1/4W 100	99-130351
340X2102-934	WG	RESISTOR 5% 1/4W 1K	99-130392
340X2103-934	WG	RESISTOR 10K 1/4W 5%	99-130581
340X2104-934	WG	RESISTOR 5% 1/4W 100K	99-130377
340X2113-934	WG	RESISTOR 11K 1/4W 5%	99-130571
340X2122-924	WG	RESISTOR 1.2K 1/4W 2%	99-130587
340X2123-934	WG	RESISTOR 12K 1/4W 5%	99-130578
340X2132-924	WG	RESISTOR 1.3K 1/4W 2%	99-130589
340X2150-934	WG	RESISTOR 15 1/4W 5%	99-130592

ATARI, INC.
 COIN-OPERATED GAMES DIVISION
 CUSTOMER SERVICE

***** MONITOR CROSS REFERENCE LISTING *****
 SORT BY MANUFACTURER'S MODEL NO.

MFR. MODEL NO.	MFR	PART DESCRIPTION	PART NUMBER
340X2151-934	WG	RESISTOR 5% 1/4W 150	99-130355
340X2152-934	WG	RESISTOR 5% 1/4W 1.5K	99-130353
340X2153-934	WG	RESISTOR 15K 1/4W 5%	99-130593
340X2162-924	WG	RESISTOR 1.6K 1/4W 2%	99-130588
340X2180-934	WG	RESISTOR 5% 1/4W 18	99-130393
340X2182-934	WG	RESISTOR 5% 1/4W 1.8K	99-130384
340X2221-934	WG	RESISTOR 5% 1/4W 220	99-130385
340X2222-734	WG	RESISTOR 2.2K 1/2W 5%	99-130257
340X2222-934	WG	RESISTOR 5% 1/4W 2.2K	99-130373
340X22410934	WG	RESISTOR 240 1/4W 5%	99-130573
340X2270-934	WG	RESISTOR 5% 1/4W 27	99-130391
340X2271-934	WG	RESISTOR 5% 1/4W 270	99-130374
340X2301-934	WG	RESISTOR 300 1/4W 5%	99-130582
340X2331-934	WG	RESISTOR 5% 1/4W 330	99-130354
340X2332-934	WG	RESISTOR 3.3K 1/4W 5%	99-130572
340X2333-934	WG	RESISTOR 5% 1/4W 33K	99-130369
340X2391-934	WG	RESISTOR 390 1/4W 5%	99-130590
340X2393-934	WG	RESISTOR 5% 1/4W 39K	99-130372
340X2432-924	WG	RESISTOR 2% 1/4 W 4.3K	99-130387
340X2471-934	WG	RESISTOR 5% 1/4W 470	99-130380
340X2472-934	WG	RESISTOR 4.7K 1/4W 5%	99-130586
340X2561-934	WG	RESISTOR 560 1/4W 5%	99-130574
340X2681-934	WG	RESISTOR 5% 1/4W 680	99-130368
340X2682-924	WG	RESISTOR 2% 1/4W 6.8K	99-130386
340X2682-934	WG	RESISTOR 5% 1/4W 6.8K	99-130395
340X2682-934	WG	RESISTOR 6.8K 1/4W 5%	99-130580
340X2754-934	WG	RESISTOR 750K 1/4W 5%	99-130594
340X2910-934	WG	RESISTOR 5% 1/4W 91	99-130389
340X3010-934	WG	RESISTOR 5% 1/2W 1	99-130109
340X3033-934	WG	RESISTOR 5% 1/2W 3.3	99-130366
340X3039-934	WG	RESISTOR 3.9K 1/2W 5%	99-130115
340X3100-944	WG	RESISTOR 10% 1/2 W 10K	99-130396
340X3101-941	WG	RESISTOR 100 1/2W 10%	99-130050
340X3101-944	WG	RESISTOR 10% 1/2 W100	99-130091
340X3102-244	WG	RESISTOR 10% 1/2W 1K	99-130367
340X3102-931	WG	RESISTOR 1K 1/2W 5%	99-130053
340X3102-931	WG	RESISTOR 1K 1/2W 5%	99-130053
340X3102-934	WG	RESISTOR 1K 1/2W 5%	99-130084
340X3102-944	WG	RESISTOR 10% 1/2W 1K	99-130083
340X3102-954	WG	RESISTOR 20% 1/2W 1K	99-130060
340X3103-941	WG	RESISTOR 10K 1/2W 10%	99-130051
340X3103-944	WG	RESISTOR 10% 1/2W 10K	99-130099
340X3104-244	WG	RESISTOR 10% 1/2W 100K	99-130371
340X3104-944	WG	RESISTOR 10% 1/2W 100K	99-130080
340X3121-944	WG	RESISTOR 10% 1/2W 120	99-130067
340X3122-934	WG	RESISTOR 1.2K 1/2W 5%	99-130596

A T A R I , I N C .
 C O I N - O P E R A T E D G A M E S D I V I S I O N
 C U S T O M E R S E R V I C E

***** MONITOR CROSS REFERENCE LISTING *****
 SORT BY MANUFACTURER'S MODEL NO.

MFR. MODEL NO.	MFR	PART DESCRIPTION	PART NUMBER
340X3150-934	WG	RESISTOR 15 1/2W 5%	99-130577
340X3151-934	WG	RESISTOR 5% 1/2W 150	99-130094
340X3151-941	WG	RESISTOR 10% 1/2 W 150	99-130058
340X3151-944	WG	RESISTOR 10% 1/2W 150	99-130090
340X3152-934	WG	RESISTOR 1.5K 1/2W 5%	99-130087
340X3153-934	WG	RESISTOR 5% 1/2W 15K	99-130098
340X3153-944	WG	RESISTOR 10% 1/2W 15K	99-130072
340X3154-944	WG	RESISTOR 10% 1/2W 150K	99-130105
340X3155-944	WG	RESISTOR 10% 1/2W 1.5M	99-130113
340X3161-934	WG	RESISTOR 5% 1/2W 16K OHM	99-130437
340X3162-934	WG	RESISTOR 1.6K 1/2W 5%	99-130597
340X3182-944	WG	RESISTOR 10% 1/2W 1.8K	99-130093
340X3183-944	WG	RESISTOR 5% 1/2W 18K	99-130356
340X3201-934	WG	RESISTOR 5% 1/2W 200 OHM	99-130434
340X3221-944	WG	RESISTOR 10% 1/2W 220	99-130075
340X3222-934	WG	RESISTOR 5% 1/2W 2.2K	99-130076
340X3223-944	WG	RESISTOR 10% 1/2 W 22K	99-130092
340X3272-244	WG	RESISTOR 2.7K 1/2W 10%	99-130583
340X3272-934	WG	RESISTOR 2.7K 1/2W 5%	99-130595
340X3273-944	WG	RESISTOR 10% 1/2W 27K	99-130097
340X3274-944	WG	RESISTOR 10% 1/2W 270K	99-130103
340X3279-944	WG	RESISTOR .27 1/2W 10%	99-130579
340X3330-934	WG	RESISTOR 5% 1/2W 33	99-130096
340X3331-944	WG	RESISTOR 10% 1/2W 330	99-130352
340X3332-934	WG	RESISTOR 5% 1/2W 3.3K	99-130398
340X3332-941	WG	RESISTOR 3.3K 1/2W 10%	99-130055
340X3332-944	WG	RESISTOR 10% 1/2W 3.3K	99-130064
340X3335-244	WG	RESISTOR 3.3M 1/2W 10%	99-130584
340X3335-944	WG	RESISTOR 10% 1/2W 3.3M	99-130074
340X3361-934	WG	RESISTOR 5% 1/2W 360 OHM	99-130433
340X3362-934	WG	RESISTOR 5% 1/2W 3.6K	99-130388
340X3391-944	WG	RESISTOR 10% 1/2W 390	99-130082
340X3392-934	WG	RESISTOR 5% 1/2W 3.9K	99-130077
340X3431-934	WG	RESISTOR 5% 1/2W 430 OHM	99-130439
340X3432-934	WG	RESISTOR 5% 1/2 W 4300	99-130069
340X3437-244	WG	RESISTOR 10% 1/2W 470K	99-130379
340X3471-934	WG	RESISTOR 470 1/2W 5%	99-130111
340X3471-944	WG	RESISTOR 10% 1.0W 150K	99-130062
340X3472-934	WG	RESISTOR 5% 1/4W 4.7K	99-130390
340X3472-941	WG	RESISTOR 10% 1/2 W 4.7	99-130059
340X3472-944	WG	RESISTOR 10% 1/2W 4.7K	99-130065
340X3473-944	WG	RESISTOR 10% 1/2W 47K	99-130079
340X3475-944	WG	RESISTOR 10% 1/2W 4.7M	99-130112
340X3512-934	WG	RESISTOR 5% 1/2W 5.1K	99-130071
340X3560-944	WG	RESISTOR 10% 1/2W 56K	99-130068
340X3561-934	WG	RESISTOR 560 1/2W 5%	99-130570

ATARI, INC.
 COIN-OPERATED GAMES DIVISION
 CUSTOMER SERVICE

***** MONITOR CROSS REFERENCE LISTING *****
 SORT BY MANUFACTURER'S MODEL NO.

MFR. MODEL NO.	MFR	PART DESCRIPTION	PART NUMBER
340X3562-944	WG	RESISTOR 10% 1/2W 5.6K	99-130104
340X3563-941	WG	RESISTOR 10% 1/2W 56K	99-130056
340X3563-944	WG	RESISTOR 10% 1/2W 56K	99-130061
340X3564-944	WG	RESISTOR 10% 1/2W 560K	99-130102
340X3622-934	WG	RESISTOR 5% 1/2W 6.2K OHM	99-130435
340X3680-934	WG	RESISTOR 5% 1/2W 68	99-130095
340X3681-934	WG	RESISTOR 680 1/2W 5%	99-130598
340X3682-934	WG	RESISTOR 5% 1/2W 6.8K	99-130376
340X3682-944	WG	RESISTOR 10% 1/2W 6.8K	99-130081
340X3684-944	WG	RESISTOR 10% 1/2 W 680K	99-130101
340X3820-944	WG	RESISTOR 10% 1/2W 82	99-130085
340X3822-944	WG	RESISTOR 10% 1/2W 8.2K	99-130100
340X3824-934	WG	RESISTOR 820K 1/2W 5%	99-130107
340X3910-934	WG	RESISTOR 5% 1/2W 91	99-130350
340X4102-843	WG	RESISTOR 10% 1.0W 1K	99-130086
340X4152-843	WG	RESISTOR 10% 5W 1.5K	99-130063
340X4154-843	WG	RESISTOR 10% 1.0W 150K	99-130073
340X4392-834	WG	RESISTOR 10% 1/2W 3.9	99-130110
340X4473-843	WG	RESISTOR 10% 1.0W 47K	99-130114
340X4511-933	WG	RESISTOR 5% 510 OHM 1W	99-130526
340X5022-333	WG	RESISTOR 2.2K 2W 5%	99-130089
340X5123-733	WG	RESISTOR 5% 12K OHM 2W	99-130525
340X5150-841	WG	RESISTOR 10% 2W 15	99-130175
340X5150-843	WG	RESISTOR 10% 2.0W 15K	99-130106
340X5222-743	WG	RESISTOR 10% 2W 2.2K	99-130394
340X6152-341	WG	RESISTOR 1.5K 3W 10%	99-130054
340X6152-341	WG	RESISTOR 1.5K 3W 10%	99-130054
340X6152-743	WG	RESISTOR 10% 3.0W 1.5K	99-130088
340X7752-733	WG	RESISTOR 5% 4.0W 7.5K	99-130086
340X8111-731	WG	RESISTOR 5% T2 110	99-130165
340X8121-731	WG	RESISTOR 5% 5W 120	99-130166
342X1044-040	WG	CAPACITOR 20% MYLAR 0.1UF 400V	99-130005
342X1044-040	WG	CAPACITOR .1UF 400V MYLAR 20%	99-130005
342X5642-049	WG	CAPACITOR 56K 10%	99-130003
343X5632-049	WG	CAPACITOR 0.056UF 400V 10%	99-130557
349X1041-100	WG	CAPACITOR 100V 5% MYLAR	99-130515
349X1044-109	WG	COAPACITOR 20% MYLAR 0.1UF 100V	99-130028
35-000212-03	EH	SPRING GROUNDING	99-120438
35-002348-01	EH	CLAMP	99-120440
35-003053-02	EH	HOOK GROUND STRAP	99-120439
35-003560-01	EH	GROUND STRAP SPRING	99-120191
35-003560-01	EH	SPRING GROUND STRAP	99-120191
35-003678-01	EH	HEATSINK	99-120160
35-003679-01	EH	COVER	99-120161
35-003690-01	EH	HOOK GROUND STRAP	99-120192
35-003702-01	EH	HEATSINK	99-120113

ATARI, INC.
COIN-OPERATED GAMES DIVISION
CUSTOMER SERVICE

***** MONITOR CROSS REFERENCE LISTING *****
SORT BY MANUFACTURER'S MODEL NO.

MFR. MODEL NO.	MFR	PART DESCRIPTION	PART NUMBER
35-003837-02	EH	SHIELD PURITY	99-120450
35-003847-01	EH	SHIELD PURITY	99-120449
35-003890-01	EH	BRACKET SUPPORT RH	99-120441
35-003890-02	EH	BRACKET SUPPORT LH	99-120442
35-003991-01	EH	SIDE PANEL LH	99-120363
35-004017-02	EH	HEATSINK	99-120361
35-004018-01	EH	HEATSINK WRAP EHT	99-120383
35-004019-01	EH	COVER EHT SHIELD	99-120384
35-004019-01	EH	SHIELD COVER EHT	99-120384
360X1210-222	WG	HV WIRE 5KV	99-130505
360X1230-000	WG	HV WIRE 20KV	99-130504
37OECB22	SA	CRT 14" Q9251XHA	99-160006
37OGHB22	MA	CRT 14" COLOR	99-150003
38-000449-02	EH	CHASSIS BASE	99-120443
38A5358-000	WG	PCB ASSY	99-130148
38A5554-000	WG	PURITY SHIELD DEGAUS ASY	99-130343
38A5554-000	WG	DEGAUSSING ASY PURITY SHIELD	99-130343
38A557-000	WG	TRANSISTOR ASSY NPN	99-130416
38A5573-000	WG	TRANSISTOR LEAD 3CKT	99-130517
38A5576-000	WG	BRIDGE RECTIFIER ASSY	99-130423
38A5578-000	WG	TRANSISTOR ASSY PNP	99-130414
38A5583-000	WG	HIGH VOLTAGE ASSY	99-130465
38A5584-000	WG	PCB NECK ASSY	99-130601
38A5673-000	WG	DEFLECTION PCB P314	99-130474
38A5673-000	WG	PCB DEFLECTION P314	99-130474
38A5673-100	WG	DEFLECTION PCB 914	99-130545
38A5674-000	WG	LEAD PURPLE ASSY	99-130560
38A5675-000	WG	CONNECTOR 15CKT ASSY	99-130561
38A5676-000	WG	NECK PCB P315	99-130479
38A5676-000	WG	PCB NECK P315	99-130479
38A5676-100	WG	NECK PCB	99-130524
38A5678-000	WG	BLACK WIRE ASSY	99-130534
38A5678-000	WG	WIRE BLACK ASSY	99-130534
38A5679-000	WG	WIRE BROWN ASSY	99-130535
38A5680-000	WG	WIRE WHITE & BLUE	99-130536
38A5681-000	WG	GROUND WIRE ASY	99-130537
38A5682-000	WG	WIRE ASSY RED	99-130542
38A5683-000	WG	HIGH VLTG PCB COMPLETE P316	99-130490
38A5683-000	WG	PCB HIGH VLTG P316	99-130490
38A5684-000	WG	TRANSISTOR LEAD TO 3	99-130518
38A5685-100	WG	PCB HV ASSY P916	99-130566
38A5688-000	WG	FOCUS WIRE	99-130541
38A5689-000	WG	FOCUS WIRE	99-130538
38A5690-000	WG	LEAD SG ASSY	99-130539
38A5693-000	WG	CABLE P/S	99-130469
38A5694-000	WG	PANEL LEFT ASSY	99-130470

ATARI, INC.
 COIN-OPERATED GAMES DIVISION
 CUSTOMER SERVICE

***** MONITOR CROSS REFERENCE LISTING *****
 SORT BY MANUFACTURER'S MODEL NO.

MFR. MODEL NO.	MFR	PART DESCRIPTION	PART NUMBER
38A5695-000	WG	PURITY SHIELD DEGAUS ASY	99-130471
38A5695-000	WG	DEGAUSSING ASY PURITY SHIELD	99-130471
38A5696-000	WG	HIGH VOLTAGE PCB COMPLETE	99-130473
38A5697-000	WG	POWER CABLE ASY	99-130475
38A5697-000	WG	CABLE X ASSY	99-130468
38A5698-000	WG	SOCKET Y ASSY	99-130483
38A5699-000	WG	PURITY SHIELD RIV	99-130484
38A5700-000	WG	DEGAUSSING COIL	99-130485
38A5700-000	WG	COIL DEGAUSSING	99-130485
38A5701-000	WG	DAG SPG ASSY	99-130488
38A5702-000	WG	LEAD ASSY	99-130500
38A5703-000	WG	FOCUS/GL LEAD ASY	99-130491
38A5704-000	WG	UNIT RIV ASSY	99-130489
38A5709-000	WG	GROUND LEAD ASSY	99-130492
38Z5395-000	WG	SOCKET & CONNECTOR FOR CRT	99-130120
39 10184A22	MO	CONTACT	99-010079
39 10184A52	MO	CONNECTOR CONTACT	99-010057
39 10184A64	MO	PLUG CONTACT	99-010162
39 10184A67	MO	PLUG CONTACT	99-010160
39 10184A72	MO	PLUG CONTACT	99-010163
39 10184A84	MO	PLUG CONTACT	99-010161
39-000068-09	EH	INSULATOR	99-120162
39-000068-13	EH	INSULATOR	99-120063
39-000068-16	EH	TRANSISTOR INSULATOR OUTPUT	99-120368
39-001190-01	EH	ISOLATOR GROUND STRAP	99-120193
39-001233-01	EH	YOKE	99-120444
39-10184A63	MO	CONNECTOR FITS 99-010042	99-010043
39-10184A63	MO	CONNECTOR CONTACT	99-010043
4Y-547122-93	EH	CAPACITOR 470PF 2KV	99-120013
40-000076-03	EH	RESISTOR 4.5 10W 5%	99-120098
40-121005-31	EH	RESISTOR 10K 1/4W 5%	99-120344
40-121015-11	EH	RESISTOR 100 OHM 1/4W 5%	99-120073
40-121015-31	EH	RESISTOR 1.0K 1/4W 5%	99-120335
40-121025-11	EH	RESISTOR 1K 1/4W 5%	99-120079
40-121025-31	EH	RESISTOR 1K 1/4W 5%	99-120320
40-121035-11	EH	RESISTOR 10K 1/4W 5%	99-120080
40-121125-11	EH	RESISTOR 1.1K 1/4W 5%	99-120082
40-121225-11	EH	RESISTOR 1.2K 1/4W 5%	99-120374
40-121225-31	EH	RESISTOR 1.2 MEG 1/4W 5%	99-120323
40-121245-11	EH	RESISTOR 120K 1/4W 5%	99-120297
40-121505-11	EH	RESISTOR 15K 1/2W 5%	99-120301
40-121515-11	EH	RESISTOR 150 OHM 1/4W 5%	99-120074
40-121525-11	EH	RESISTOR 1.5K 1/4W 5%	99-120081
40-121525-31	EH	RESISTOR 1.5K 1/4W 5%	99-120347
40-121805-31	EH	RESISTOR 18K 1/4W 5%	99-120349
40-121805-31	EH	RESISTOR 18K 1/4W 5%	99-120341

ATARI, INC.
 COIN-OPERATED GAMES DIVISION
 CUSTOMER SERVICE

***** MONITOR CROSS REFERENCE LISTING *****
 SORT BY MANUFACTURER'S MODEL NO.

MFR. MODEL NO.	MFR	PART DESCRIPTION	PART NUMBER
40-121815-11	EH	RESISTOR 180 OHM 1/4W 5%	99-120075
40-122025-11	EH	RESISTOR 2K 1W 5%	99-120127
40-122215-11	EH	RESISTOR 220 OHM 1/4W 5%	99-120076
40-122215-31	EH	RESISTOR 220 1/4W 5%	99-120328
40-122225-11	EH	RESISTOR 2.2K 1/4W 5%	99-120302
40-122225-31	EH	RESISTOR 2.2K 1/4W 5%	99-120327
40-122425-11	EH	RESISTOR 2.4K 1/4W 5%	99-120299
40-122705-31	EH	RESISTOR 27 1/4W 5%	99-120340
40-122715-11	EH	RESISTOR 270 OHM 1/4W 5%	99-120077
40-122725-11	EH	RESISTOR 2.7K 1/4W 5%	99-120298
40-122735-11	EH	RESISTOR 27K 1/4W 5%	99-120128
40-122735-31	EH	RESISTOR 27K 1/4W 5%	99-120322
40-123325-11	EH	RESISTOR 3.3K 1/4W 5%	99-120129
40-123335-31	EH	RESISTOR 33K 1/4W 5%	99-120324
40-123615-11	EH	RESISTOR 360 1/4W 5%	99-120195
40-123615-31	EH	RESISTOR 360 1/4W 5%	99-120338
40-123905-11	EH	RESISTOR 390 OHM 1/4W 5%	99-120072
40-123915-11	EH	RESISTOR 390 1/4W 5%	99-120083
40-124315-11	EH	RESISTOR 430 1/4W 5%	99-120126
40-124715-11	EH	RESISTOR 470 OHM 1/4W 5%	99-120078
40-124715-31	EH	RESISTOR 470K 1/4W 5%	99-120333
40-124725-11	EH	RESISTOR 4.7K 1/4W 5%	99-120084
40-124725-31	EH	RESISTOR 4.7K 1/4W 5%	99-120321
40-124735-11	EH	RESISTOR 47K 1/4W 5%	99-120087
40-125615-11	EH	RESISTOR 560 1/4W 5%	99-120303
40-125625-11	EH	RESISTOR 5.6K 1/4W 5%	99-120086
40-125625-31	EH	RESISTOR 5.6 1/4W 5%	99-120334
40-126215-11	EH	RESISTOR 620 1/4W 5%	99-120373
40-126245-11	EH	RESISTOR 620K 1/4W 5%	99-120194
40-126815-11	EH	RESISTOR 680 OHM 1/4W 5%	99-120199
40-126825-11	EH	RESISTOR 6.8K 1/4W 5%	99-120085
40-126825-31	EH	RESISTOR 6.8K 1/4W 5%	99-120343
40-127545-11	EH	RESISTOR 750K 1/4W 5%	99-120088
40-128215-31	EH	RECEPTACLE 12 PIN CONNECTOR	99-120392
40-128235-31	EH	RESISTOR 82K 1/4W 5%	99-120329
40-129105-31	EH	RESISTOR 91 1/4W 5%	99-120337
40-129115-31	EH	RESISTOR 910 1/4W 5%	99-120348
40-129125-11	EH	RESISTOR 9.1K 1/4W 5%	99-120304
40-221015-11	EH	RESISTOR 100 1/2W 5%	99-120132
40-221025-11	EH	RESISTOR 1K 1/2W 5%	99-120089
40-221025-31	EH	RESISTOR 1.0K 1/2W 5%	99-120332
40-221035-11	EH	RESISTOR 10K 1.2W 5%	99-120165
40-221095-01	EH	RESISTOR 1K 1/2W 5%	99-120130
40-223325-31	EH	RESISTOR 3.3K 1/2W 5%	99-120346
40-223355-11	EH	RESISTOR 3.3 MEG 1/2W 5%	99-120135
40-223625-11	EH	RESISTOR 3.6K 1/2W 5%	99-120134

ATARI, INC.
 COIN-OPERATED GAMES DIVISION
 CUSTOMER SERVICE

***** MONITOR CROSS REFERENCE LISTING *****

SORT BY MANUFACTURER'S MODEL NO.

MFR MODEL NO.	MFR	PART DESCRIPTION	PART NUMBER
40-223625-31	EH	RESISTOR 3.6K 1/2W 5%	99-120336
40-223915-11	EH	RESISTOR 390 1/2W 5%	99-120300
40-223935-31	EH	RESISTOR 39K 1/2W 5%	99-120326
40-224705-11	EH	RESISTOR 1/2W 5%	99-120372
40-224715-11	EH	RESISTOR 5W 5%	99-120133
40-224725-11	EH	RESISTOR 4.7K 1/2W 5%	99-120090
40-224725-31	EH	RESISTOR 4.7K 1/2W 5%	99-120339
40-224745-11	EH	RESISTOR 470K 1/2W 5%	99-120092
40-224745-31	EH	RESISTOR 470K 1/2W 5%	99-120331
40-224795-11	EH	RESISTOR 4.7 1/2W 5%	99-120131
40-226825-11	EH	RESISTOR 6.8K 1/2W 5%	99-120091
40-4212225-01	EH	RESISTOR 1.2K 1W 5%	99-120136
40-421525-11	EH	RESISTOR 1.5K 1W 5%	99-120095
40-421525-31	EH	RESISTOR 1.5K 1W 5%	99-120325
40-423325-01	EH	RESISTOR 3.3K 1W 5%	99-120096
40-428211-01	EH	RESISTOR 820 1W 5%	99-120094
40-521595-04	EH	RESISTOR 1.5 1W 5%	99-120203
40-521595-34	EH	RESISTOR 1.5 1W 5%	99-120319
40-621505-01	EH	RESISTOR 2W 5%	99-120156
40-621505-04	EH	RESISTOR WIREWOUND 15 OHM 2W 5%	99-120198
40-622225-07	EH	RESISTOR 2.2K 2W 5%	99-120097
40-622225-31	EH	RESISTOR 2.2K 2W 5%	99-120342
40X0585-090	WG	POT CONTRAST 250 OHMS	99-130038
40X0585-091	WG	POT HORIZ/VERT 25K OHM	99-130037
40X0585-092	WG	POT BRIGHTNESS 200K OHM	99-130039
40X0585-093	WG	POT REG ADJ 2.5K OHM	99-130041
40X0585-094	WG	POT FOCUS 2M OHM	99-130043
40X0590-014	WG	POT 25K OHM	99-130507
40X0590-017	WG	RESISTOR 1.5K	99-130357
40X0592-004	WG	POT LIN 1 & 2.500K OHM	99-130042
40X0592-008	WG	POT VIDED OUT .5K OHM	99-130040
40X0637-00	WG	RESISTOR 1.5K LINERARITY CONTR	99-130383
40X0637-002	WG	RESISTOR 500 CONTRAST CONTROL	99-130375
40X0637-003	WG	RESISTOR 100K BRIGHT CONTRAST	99-130378
40X0637-004	WG	RESISTOR 5K OHM HV ADJ	99-130436
40X0638-001	WG	RESISTOR 5M OHM FOCUS CONTROL	99-130438
40X0641-003	WG	CONTROL 300 OHM CLEAR	99-130530
40X0641-004	WG	CONTROL 1K OHM BLACK	99-130531
41-000221-72	EH	POTENTIOMETER FOCUS 10K	99-120138
41-000227-72	EH	POTENTIOMETER 10 MEG	99-120375
41-000228-33	EH	POTENTIOMETER VERT 668 OHM	99-120046
41-000265-12	EH	POTENTIOMETER 4.7K	99-120137
41-000298-22	EH	POTENTIOMETER 500K OHMS	99-120180
41-000299-17	EH	POTENTIOMETER 500	99-120100
41-000299-19	EH	POTENTIOMETER 100K	99-120330
41-000299-22	EH	POTENTIOMETER 500K	99-120101

ATARI, INC.
COIN-OPERATED GAMES DIVISION
CUSTOMER SERVICE

***** MONITOR CROSS REFERENCE LISTING *****
SORT BY MANUFACTURER'S MODEL NO.

MFR. MODEL NO.	MFR	PART DESCRIPTION	PART NUMBER
41-000331-02	EH	CONTROL MTG	99-120102
41-000331-02	EH	POTENTIOMETER 1K	99-120102
41-000331-03	EH	POTENTIOMETER 2K	99-120103
42 65864A54	MO	CONNECTOR	99-010093
42-000060-01	EH	THERMISTOR	99-120016
42-000075-01	EH	RESISTOR WIREWOUND .27 1W 5%	99-120093
42-000076-04	EH	RESISTOR 5.1 10W 5%	99-120099
42-000078-01	EH	RESISTOR 390 OHMS 1W 5%	99-120166
42-002075-03	EH	RESISTOR 2K 10W 5%	99-120345
42-113301-03	EH	RESISTOR WIREWOUND 33 4W 10%	99-120312
42-141805-03	EH	RESISTOR 18K 10W 5%	99-120371
42-144071-03	EH	RESISTOR WIREWOUND 4 10W 10%	99-120318
42B41045C01	MO	DRIVE BELT USED ON 93-6001	99-010102
42B41045C01	MO	BELT DRIVE USED ON 93-6001	99-010102
43X0401-052	WG	RESISTOR 10% 15W 210HM	99-130431
43X0401-053	WG	RESISTOR 5% 10W 2	99-130397
43X0401-054	WG	RESISTOR 5% 7.5 OHM 5W	99-130527
43X0401-056	WG	RESISTOR 5% 1.5 OHM 10W NI	99-130547
43X0401-057	WG	RESISTOR 560 5W 10%	99-130568
43X0401-351	WG	RESISTOR 10% 15W 3.9K	99-130365
43X0467-001	WG	THERMISTOR	99-130070
43X0468-001	WG	RESISTOR VOLTAGE DEPENDENT	99-130430
43X0471	WG	THERMISTOR PIC	99-130550
4310400030	TC	TRANSISTOR NPN MJ3430	99-070005
44-000188-04	EH	CAPACITOR 7200UF 50V ELEC	99-120168
44-000202-32	EH	CAPACITOR ELECTROLYTIC	99-120015
44-000203-20	EH	CAPACITOR ELECTROLYTIC	99-120014
44-000205-01	EH	CAPACITOR 45UF 125V LOW ESR	99-120070
44-120509-02	EH	CAPACITOR 1UF 50V ELEC	99-120169
44-210239-03	EH	CAPACITOR 100UF 10V TANT	99-120196
44-222137-01	EH	CAPACITOR 16V 22UF 20%	99-120143
44-222137-01	EH	CAPACITOR 22UF 16V 20%	99-120143
44-310003-02	EH	CAPACITOR 10UF 16V ELEC	99-120308
44-310104-04	EH	CAPACITOR 100UF 35V ELEC	99-120307
44-322506-01	EH	CAPACITOR 2.2UF 50V ELEC	99-120315
44-347006-05	EH	CAPACITOR 47UF 50V ELEC	99-120142
44-347009-08	EH	CAPACITOR 47UF 160V ELEC	99-120316
44-347106-10	EH	CAPACITOR 470UF 50V	99-120071
44-347509-05	EH	CAPACITOR 4.7UF 150V ELEC	99-120141
44-410206-10	EH	CAPACITOR 1000UF 50V	99-120369
44-568205-06	EH	CAPACITOR 6800UF 50V ELEC	99-120314
45X0515-032	WG	CAPACITOR 33UF 150V ELEC	99-130007
45X0524-021	WG	CAPACITOR 22UF 50V ELEC	99-130512
45X0524-023	WG	CAPACITOR ELEC 1.0UF 15V	99-130016
45X0524-025	WG	CAPACITOR 250UF 100V ELEC	99-130033
45X0524-026	WG	CAPACITOR 22UF 100V ELEC	99-130031

ATARI, INC.
 COIN-OPERATED GAMES DIVISION
 CUSTOMER SERVICE

***** MONITOR CROSS REFERENCE LISTING *****
 SORT BY MANUFACTURER'S MODEL NO.

MFR. MODEL NO.	MFR	PART DESCRIPTION	PART NUMBER
45X0524-027	WG	CAPACITOR 47UF 50V ELEC	99-130008
45X0524-035	WG	CAPACITOR 10UF 350V ELEC	99-130513
45X0524-036	WG	CAPACITOR 10UF 350V ELEC	99-130567
45X0524-038	WG	CAPACITOR 1000UF 16 V ELEC	99-130358
45X0524-051	WG	CAPACITOR 100UF 50V ELEC	99-130011
45X0524-052	WG	CAPACITOR 150UF 10V ELEC	99-130023
45X0524-053	WG	CAPACITOR 470UF 16V ELEC	99-130010
45X0524-054	WG	CAPACITOR 2.2UF 50V ELEC	99-130406
45X0524-055	WG	CAPACITOR 22UF 160V ELEC	99-130402
45X0524-056	WG	CAPACITOR 1000UF 50V ELEC	99-130443
45X0524-057	WG	CAPACITOR 4.7UF 106V ELEC	99-130445
45X0524-058	WG	CAPACITOR 470UF 35V ELEC	99-130556
45X0524-059	WG	CAPACITOR 33UF 250V ELEC	99-130529
45X0524-060	WG	CAPACITOR 100UF 35V ELEC	99-130511
45X0525-003	WG	CAPACITOR 0.47UF 35V ELEC	99-130401
45X0558-001	WG	CAPACITOR 7UF ?V ELEC	99-130001
45X0559-001	WG	CAPACITOR 6800PF 50V ELEC	99-130399
45X0563-001	WG	CAPACITOR 4700UF 50V ELEC	99-130555
46-310468-65	EH	CAPACITOR 1UF 50V	99-120066
46-315217-07	EH	CAPACITOR 1500PF	99-120197
46-315217-07	EH	CAPACITOR 1500PF CERAMIC	99-120197
46-322113-03	EH	CAPACITOR 220PF 500V	99-120317
46-327113-51	EH	CAPACITOR 270PF 500V 10% Z5P	99-120065
46-347013-15	EH	CAPACITOR 47PF CERAMIC	99-120305
46-368013-15	EH	CAPACITOR 68PF CERAMIC	99-120305
46-510322-72	EH	CAPACITOR 10UF 2KV	99-120011
46-510371-75	EH	CAPACITOR 10UF 1000V	99-120069
46-515211-30	EH	CAPACITOR 1500PF	99-120157
46-515211-30	EH	CAPACITOR 1500PF CERAMIC	99-120157
46-547016-90	EH	CAPACITOR 47PF 6KV	99-120012
46X0536-011	WG	CAPACITOR 5% POLY 0.01UF	99-130004
46X0536-015	WG	CAPACITOR 0.01UF POLY	99-130514
46X0536-016	WG	CAPACITOR .035UF 400V POLY	99-130569
46X0540-002	WG	CAPACITOR 10% POLY FILM	99-130006
46X0540-002	WG	CAPACITOR 1UF 630V 10%	99-130006
46X0541-003	WG	CAPACITOR 0.47UF 100V	99-130554
47-66082A04	MO	ROD ADJUSTMENT	99-010099
47X0786-006	WG	CAPACITOR 0.22UF 50V	99-130405
48 10641D43	MO	DIODE ZENER	99-010011
48 10813A03	MO	DIODE ZENER 1N5242	99-010173
48 1083A02	MO	DIODE IN 5231B	99-010118
48 134917	MO	DIODE DUAL	99-010009
48 134921	MO	DIODE DID	99-010176
48 134978	MO	DIODE DIK	99-010007
48 134978	MO	DIODE DIK	99-010177
48 137114	MO	DIODE D2Y	99-010047

ATARI, INC.
 COIN-OPERATED GAMES DIVISION
 CUSTOMER SERVICE

***** MONITOR CROSS REFERENCE LISTING *****
 SORT BY MANUFACTURER'S MODEL NO.

MFR MODEL NO.	MFR	PART DESCRIPTION	PART NUMBER
48-137266	MO	DIODE ZENER	99-010008
48-137469	MO	DIODE ZENER D7G	99-010008
48-137634	MO	DIODE	99-010155
48-137638	MO	DIODE	99-010146
48-16813A01	MO	DIODE ZENER 1N5234	99-010174
48-67120A11	MO	DIODE	99-010063
48-67120A13	MO	DIODE	99-010121
48-134919	MO	TRANSISTOR A1M	99-010018
48-134952	MO	TRANSISTOR A2J	99-010026
48-137093	MO	TRANSISTOR A5F	99-010022
48-137114	MO	DIODE D2Y	99-010047
48-137115	MO	TRANSISTOR A5U	99-010020
48-137127	MO	TRANSISTOR P2S	99-010017
48-137168	MO	TRANSISTOR P2V	99-010029
48-137169	MO	TRANSISTOR A6G	99-010030
48-137171	MO	TRANSISTOR A6H	99-010016
48-137172	MO	TRANSISTOR A6J	99-010021
48-137173	MO	TRANSISTOR P2W	99-010024
48-137266	MO	DIODE ZENER	99-010008
48-137317	MO	TRANSISTOR A8H	99-010019
48-137344	MO	TRANSISTOR A8U	99-010031
48-137368	MO	TRANSISTOR A8W	99-010028
48-137469	MO	DIODE ZENER	99-010008
48-137476	MO	TRANSISTOR B1E	99-010097
48-137476	MO	TRANSISTOR B1E	99-010067
48-137569	MO	TRANSISTOR B2V	99-010065
48-137570	MO	USE 99-010145	99-010023
48-137574	MO	TRANSISTOR B2N	99-010027
48-137596	MO	TRANSISTOR B2V	99-010156
48-137639	MO	TRANSISTOR MPSA-13	99-010147
48-137670	MO	TRANSISTOR	99-010154
48-137696	MO	TRANSISTOR	99-010145
48-137696	MO	TRANSISTOR	99-010145
48-171544-62	EH	CAPACITOR 150UF 400V 10%	99-120311
48-174746-62	EH	CAPACITOR .47UF 600V MYLAR	99-120144
48-176831-21	EH	CAPACITOR .068UF 50V	99-120370
48-191A02	MO	RECTIFIER	99-010119
48-191A02	MO	RECTIFIER 91A02	99-010175
48-191A05	MO	RECTIFIER	99-010012
48-191A05	MO	RECTIFIER 91A05	99-010178
48-191A05	MO	USE 99-010012	99-010120
48-191A07	MO	RECTIFIER	99-010012
48-191A10	MO	RECTIFIER	99-010010
485TM60003A	TC	PCB CRT 6 WIRE REF 99-070078	99-070050
485TM60003A	TC	CRT PCB 7WIRE REF 99-070050	99-070078
485TM60003A	TC	PCB CRT 7 WIRE REF 99-070050	99-070078

ATARI, INC.
 COIN-OPERATED GAMES DIVISION
 CUSTOMER SERVICE

***** MONITOR CROSS REFERENCE LISTING *****
 SORT BY MANUFACTURER'S MODEL NO.

MFR. MODEL NO.	MFR	PART DESCRIPTION	PART NUMBER
485TM60003A	TC	CRT PCB 6 WIRE REF 99-070078	99-070050
49-000032-01	EH	CAPACITOR .22UF 50V	99-120067
49-000032-02	EH	CAPACITOR .47UF 50V	99-120068
49-000033-01	EH	CAPACITOR .1UF 200V	99-120145
5-10281A03	MO	RIVET NYLON	99-010094
50-001412-01	EH	PCB DEFLECTION AMP (99-120055)	99-120114
50-001421-01	EH	PCB EHT CAGE	99-120378
50-001421-01	EH	HIGH VLTG CAGE ASSY	99-120378
50-001421-01	EH	PCB EHT ASSY	99-120378
51 10707A01	MO	IC T2Z	99-010090
51 10732A01	MO	IC T3F	99-010014
510TFB22AW	MA	CRT 19"	99-150584
52X0126-001	WG	HORIZ DRIVER	99-130049
5270356302	TC	CAPACITOR .056UF 630V	99-070067
53X0474-001	WG	TRANSFORMER FLYBACK	99-130046
53X0475-001	WG	TRANSFORMER POWER	99-130045
53X0480-001	WG	TRANSFORMER HV	99-130455
53X0480-001	WG	FLYBACK TRANSFORMER	99-130455
53X0487-001	WG	TRANSFORMER HV	99-130516
53X0487-001	WG	FLYBACK TRANSFORMER	99-130516
5310400030	TC	POWER REGULATOR	99-070046
5310400040	TC	TRANSISTOR NPN MJ205	99-070007
5310500031	TC	TRANSISTOR MJE520	99-070025
5310500062	TC	TRANSISTOR NPN MPSA4354	99-070006
5310500070	TC	TRANSISTOR NPN MPSU04	99-070008
5310500080	TC	TRANSISTOR NPN MPSU10	99-070004
5310500082	TC	TRANSISTOR MPS9417AT	99-070024
5310500201	TC	TRANSISTOR MPS9700U	99-070023
5310500202	TC	TRANSISTOR NPN MPS834	99-070017
5310500204	TC	TRANSISTOR PNP MPS4356	99-070016
5310500223	TC	TRANSISTOR NPN LM1796	99-070009
5310500261	TC	TRANSISTOR	99-070051
5310500280	TC	IC	99-070052
5310500410	TC	TRANSISTOR HORIZ AMP	99-070056
5310500450	TC	TRANSISTOR	99-070053
5340100040	TC	DIODE 1N60 GERMANIUM	99-070011
5340200260	TC	DIODE MR9701	99-070026
5340200280	TC	DIODE SILICON 1N4004	99-070010
5340200290	TC	DIODE 1N4006 SILICON	99-070014
5340200300	TC	SILICON RECTIFIER MR9722	99-070012
5340200440	TC	DIODE SILICON	99-070049
5340200541	TC	RECTIFIER	99-070048
5340200541	TC	RECTIFIER	99-070048
5340300220	TC	DIODE 12V 1N5858A ZENER	99-070015
5340400120	TC	RECTIFIER HV	99-070057
5380000120	TC	CRT 12" B/W 310GNB4A	99-070083

ATARI, INC.
COIN-OPERATED GAMES DIVISION
CUSTOMER SERVICE

***** MONITOR CROSS REFERENCE LISTING *****
SORT BY MANUFACTURER'S MODEL NO.

MFR MODEL NO.	MFR	PART DESCRIPTION	PART NUMBER
538000060	TC	CRT 19"	99-070018
55142101	TC	POT 1K OHM	99-070030
55142104	TC	POT 100K OHMS	99-070031
55142205	TC	POT 2MEG OHM	99-070037
55142254	TC	POT 250K OHM	99-070036
55142303	TC	POT 30 K OHMS	99-070034
55142472	TC	POT 4.7K OHMS	99-070035
55145224	TC	POT 200K OHMS	99-070032
55145472	TC	POT 4.7K OHMS	99-070033
55147102	TC	POT 1K OHMS	99-070040
55147472	TC	POT 4.7K OHMS	99-070038
553124008B	TC	POT 200K OHMS	99-070066
553472008B	TC	POT 4.7K OHMS	99-070065
55425220	TC	RESISTOR 22 OHM 5W	99-070045
55425220	TC	RESISTOR 22 OHM 5W 5RW 22J	99-070045
56520338	TC	CAPACITOR .33UF 200V	99-070041
56601101	TC	CAPACITOR 100UF 100V	99-070042
56601101	TC	CAPACITOR 100UF 100V	99-070043
56625105	TC	CAPACITOR 10000MF 25V	99-070047
589512012	TC	COIL CHOKE HC2-035	99-070028
589512015	TC	COIL HORIZ CHOKE HOH100K	99-0700271
589514013	TC	COIL WIDTH AZ 9177C	99-070029
589514015	TC	TRANSFORMER HORIZ OSCIL TLN506BX	99-070022
589514016	TC	LINEARITY COIL	99-070002
589515015	TC	DEFLECTION YOKE COIL	99-070001
589517015	TC	FLYBACK TRANSFORMER TFB 1006AS	99-070020
589517017	TC	TRANSFORMER FLYBACK	99-070054
589517017	TC	FLYBACK TRANSFORMER	99-070054
589518012	TC	TRANSFORMER HORIZ DRIV TLN517	99-070021
589519021	TC	POWER TRANSFORMER TPW 600	99-070019
59C45270G01	MO	HEAD MAGNETIC TAPE	99-010103
599030001	TC	GAS DISCHARGE GAP	99-070085
6-002-0647	BL	PCB MAIN	99-04036
6-003-0479	BL	TRANSFORMER VERTICAL OUTPUT	99-04029
6-003-0483	BL	TRANSFORMER POWER	99-04031
6-004-0352	BL	DEFLECTION COIL (YDKE)	99-04030
6-004-0690	BL	CRT SOCKET	99-04049
6-10201A04	MO	VARIATOR	99-010131
6-10201A04	MO	VARIATOR	99-010152
6-66262A16	MP	VARIATOR	99-010034
6A0391-002	WG	CONNECTOR 12CKT	99-130425
6A0393-006	WG	CONNECTOR PLUG 6 CKT	99-130364
6A0394-001	WG	CONNECTOR 7CKT	99-130428
6A0394-005	WG	CONNECTOR HEADER 5CKT	99-130429
6A0394-007	WG	CONNECTOR HEADER 7CKT	99-130427
6A0394-010	WG	CONNECTOR 10CKT	99-130426

ATARI, INC.
 COIN-OPERATED GAMES DIVISION
 CUSTOMER SERVICE

***** MONITOR CROSS REFERENCE LISTING *****
 SORT BY MANUFACTURER'S MODEL NO.

MFR MODEL NO.	MFR	PART DESCRIPTION	PART NUMBER
6A0395-001	WG	CONNECTOR HEADER 8CKT RIGHT ANG	99-130519
6A0395-008	WG	CONNECTOR HEADER 8CKT RIGHT ANG	99-130533
6A0397	WG	CONNECTOR PLUG LINE CORD	99-130348
6A0399-001	WG	CONNECTOR 15 CKT	99-130565
6A0401-001	WG	CONNECTOR PLUG 3CKT	99-130543
6K5313DGB7	EH	TRANSFORMER POWER	99-120007
6X0069-001	WG	DIODE 250V	99-130410
6X0116-001	WG	CLIP CABLE	99-130487
611X0003-005	WG	DEFLECTION YOKE WEDGE 2082400901	99-130477
65 138269	MO	FUSE 0.8A 250V	99-010172
65 139451	MO	LAMP 1436	99-010083
66X0023-009	WG	RECTIFIER POWER 500V 1N444B	99-130116
66X0040-004	WG	DIODE 31V ZENER	99-130139
66X0040-007	WG	DIODE ZENER 1W 24V	99-130452
66X0040-008	WG	DIODE 150V 1W 5% ZENER	99-130576
66X0040-011	WG	DIODE 4.3V 1/2W ZENER	99-130585
66X0040-017	WG	DIODE 13V 1W ZENER	99-130575
66X0040-018	WG	DIODE 5% .5W 6.8V	99-130360
66X0040-019	WG	DIODE 5% .5W 3.9V	99-130361
66X0040-020	WG	DIODE ZENER 1/2W 9.1V	99-130450
66X0040-021	WG	DIODE ZENER 1/2W 62V	99-130451
66X0040-025	WG	DIODE 28V 1W 5% ZENER	99-130599
66X0046-001	WG	DIODE FDH444 SILICON	99-130124
66X0053-001	WG	DIODE 350V AMPEREX BA148	99-130119
66X0054-002	WG	DIODE D210SSF RCA	99-130126
66X0066-001	WG	DIODE MSD6102 DUAL	99-130125
66X0067-001	WG	RECTIFIER VARO H1802	99-130117
66X0067-02	WG	RECTIFIER HV H1809	99-130449
66X0068-001	WG	DIODE MR-1600 DAMPER	99-130118
66X0068-002	WG	DIODE ERC27-13	99-130448
66X0070-001	WG	DIODE 1N914B	99-130408
66X0071-001	WG	DIODE 1N4001	99-130411
66X0073-001	WG	DIODE S3A2	99-130407
66X0079-001	WG	DIODES5A2	99-130548
7A0334-001	WG	LAMP NEON GE 5 AMP	99-130424
7A0363-001	WG	DIODE LIGHT EMITTING	99-130409
74X0004-001	WG	MAGNET RED	99-130460
74X0004-014	WG	MAGNET GREEN	99-130461
74X0004-018	WG	MAGNET YELLOW	99-130462
78-85-0410	BL	REGULATOR NPN	99-04001
78-86-0340	BL	NPN HORIZONTAL DRIVE MJE340	99-04014
8 10124	MO	CAP .22UF 10% 250V MYLAR	99-010127
8 10124	MO	CAPACITOR .22UF 10% 250V MYLAR	99-010127
8 10212A11	MO	CAP 1UF 10% 630V MYLAR	99-010085
8 10212A20	MO	CAP 2.2UF 10% 100V MYLAR	99-010105
8 10212A20	MO	CAPACITOR 2.2UF 10% 100V MYLAR	99-010105

ATARI, INC.
 COIN-OPERATED GAMES DIVISION
 CUSTOMER SERVICE

***** MONITOR CROSS REFERENCE LISTING *****
 SORT BY MANUFACTURER'S MODEL NO.

MFR. MODEL NO.	MFR	PART DESCRIPTION	PART NUMBER
8 10212D33	MG	CAP	99-010003
8 10571A23	MO	CAP 0.56UF 10% 250V	99-010004
80X009-144	WG	CAPACITOR 270PF 500V	99-130403
80X0099-005	WG	CAPACITOR 0.001UF Z5F 20%	99-130553
80X0099-006	WG	CAPACITOR 470PF Z5F CER 10%	99-130034
80X0099-013	WG	CAPACITOR 330PF 500V CER 10%	99-130014
80X0099-015	WG	CAPACITOR 15PF CER DISC 10%	99-130013
80X0099-056	WG	CAPACITOR 4700UF CER DISC 10%	99-130026
80X0099-057	WG	CAPACITOR 10% Z5F CER DISC	99-130009
80X0099-057	WG	CAPACITOR 220K 10% CERAMIC	99-130009
80X0099-061	WG	CAPACITOR .01UF 1KV Z54	99-130404
80X0099-076	WG	CAPACITOR 1000PF 500V CER 10%	99-130021
80X0099-103	WG	CAPACITOR 68PF	99-130520
80X0099-118	WG	CAPACITOR 100PF 2KV CER DISC 10%	99-130528
80X0099-134	WG	CAPACITOR 0.015UF 100V CER	99-130444
80X0099-137	WG	CAPACITOR 680PF 500V CER 10%	99-130024
80X0099-192	WG	CAPACITOR 20% 1KV CER DISC	99-130012
80X0099-192	WG	CAPACITOR 1K CER 20%	99-130012
80X0099-193	WG	CAPACITOR 0.1UF 50V DISC	99-130400
8650113-001	WG	TRANSISTOR 2N3904	99-130127
86X0058-002	WG	TRANSISTOR MPSA20 NPN	99-130131
86X0065-001	WG	TRANSISTOR D40N5 SPOT KILLER	99-130123
86X0066-001	WG	TRANSISTOR MPSA70 NPN	99-130133
86X0070-001	WG	TRANSISTOR MPU131 P.U.T.	99-130138
86X0071-001	WG	TRANSISTOR MPSA06 NPN	99-130130
86X0072-001	WG	TRANSISTOR MPSA56 NPN	99-130134
86X0073-001	WG	TRANSISTOR MPSU07 NPN	99-130135
86X0074-001	WG	TRANSISTOR 2N5192 NPN	99-130136
86X0075-001	WG	TRANSISTOR 2N5195 NPN	99-130137
86X0113-001	WG	TRANSISTOR NPN 2N3904	99-130413
86X0114-001	WG	TRANSISTOR 2N3906 PNP	99-130128
86X0115-001	WG	TRANSISTOR D40P3 NPN	99-130129
86X0116-001	WG	TRANSISTOR 2N6557 HORIZ DRIVER	99-130132
86X0117-001	WG	TRANSISTOR 2N5632 REGULATOR	99-130121
86X0118-001	WG	TRANSISTOR BU207 HORIZ OUTPUT	99-130122
86X0120-001	WG	TRANSISTOR	99-130509
86X0121-001	WG	TRANSISTOR NPN	99-130359
86X0123-001	WG	TRANSISTOR NPN 2N3716	99-130416
86X0124-001	WG	TRANSISTOR PNP 2N3792	99-130417
86X0125-001	WG	TRANSISTOR NPN	99-130562
86X0127-001	WG	TRANSISTOR NPN TPS 98	99-130412
86X0128-001	WG	TRANSISTOR BU409	99-130446
86X0129-001	WG	TRANSISTOR 2DS525R	99-130447
86X0134-001	WG	IC CLOCK TI NE555P	99-130510
86X0135-001	WG	TRANSISTOR 2N3792X	99-130467
88X-0129-506	WG	CRT 19VJTP22	99-130342

ATARI, INC.
COIN-OPERATED GAMES DIVISION
CUSTOMER SERVICE

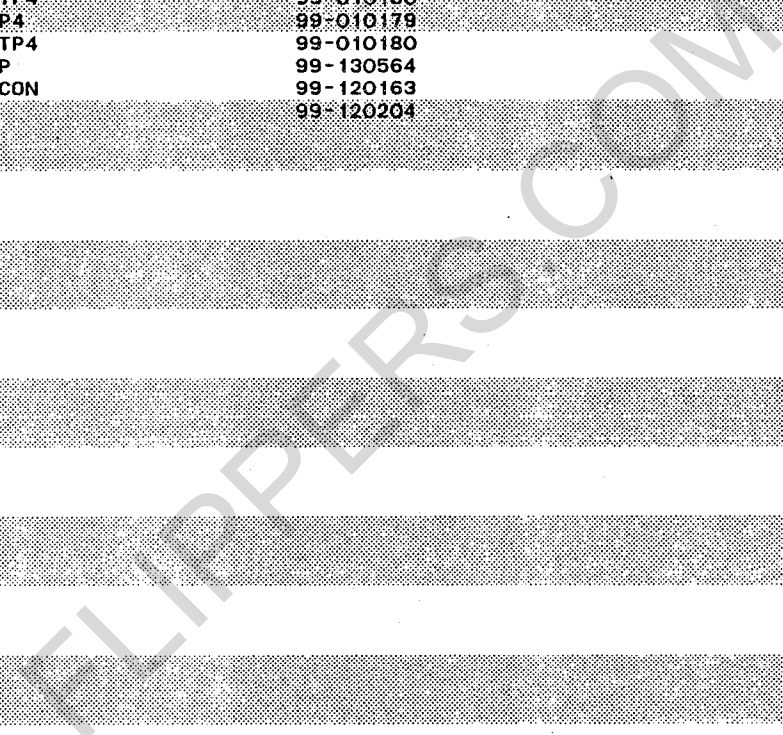
***** MONITOR CROSS REFERENCE LISTING *****
SORT BY MANUFACTURER'S MODEL NO.

MFR. MODEL NO.	MFR	PART DESCRIPTION	PART NUMBER
88X0122-056	WG	CRT 19VARP4/M50-102W	99-130456
88X0135-506	WG	CRT 19VLUP22	99-130472
9 25376A02	MO	CONNECTOR	99-010142
9 25376A02	MO	CONNECTOR	99-010142
9 25376A04	MO	CONNECTOR	99-010140
9 254560A01	MO	FUSE BLOCK	99-010171
9 25470A01	MO	CRT SOCKET M50000	99-010183
9 25470A01	MO	SOCKET CRT M5000	99-010183
9 66133A28	MO	CONNECTOR	99-010142
9 66133A34	MO	CONNECTOR	99-010140
9 66238A02	MO	HOLDER FUSE	99-010073
9 67556C27	MO	CRT SOCKET	99-010141
9-25201A01	MO	SOCKET H.V. ANODE	99-010075
9-25282A08	MO	SOCKET PICTURE TUBE	99-010141
9-63825A01	MO	SOCKET POWER TRANSISTOR	99-010045
9-63825A01	MO	SOCKET POWER TRANSISTOR	99-010045
9-67555C27	MO	SOCKET PICTURE TUBE	99-010141
9-67555C27	MO	SOCKET CRT	99-010141
9A2753-003	WG	COIL DEGAUSSING	99-130349
9A2753-003	WG	DEGAUSSING COIL	99-130349
9A2753-005	WG	COIL DEGAUSSING	99-130499
9A2753-005	WG	DEGAUSSING COIL	99-130499
9A2786-001	WG	YOKE DEFLECTION W/CLAMP	99-130145
9A2787-001	WG	COIL WIDTH	99-130044
9A2788-001	WG	COIL HORIZ OSC	99-130047
9A2789-001	WG	COIL HORIZ LIN	99-130048
9A2794-001	WG	YOKE DEFLECTION	99-130459
9A2794-001	WG	DEFLECTION YOKE	99-130459
9A2795-001	WG	COIL HORIZ SIZE	99-130189
9A2796-001	WG	INDUCTOR FIXED 11.5UH	99-130454
9A2797-001	WG	INDUCTOR 1.5UH	99-130453
9A2806-001	WG	YOKE DEFLECTION	99-130476
9A2806-001	WG	DEFLECTION YOKE	99-130476
914	WG	DEFLECTION PCB 38A5673-100	99-130545
92-013G02	WG	MANUAL 25" COLOR	TM-163
92-030 M7000	MO	MANUAL 23" B/W RASTER	TM-124
92-033 M5000/	MO	MANUAL 19" B/W RASTER	TM-124
92-033 19V1001	WG	MANUAL 19" B/W RASTER	TM-125
92-040 22V1001	WG	MANUAL 23" B/W RASTER	TM-125
92-041 DT1	ZE	MANUAL 12" B/W RASTER	TM-140
92-042 G05	WG	MANUAL 20" B/W QS	TM-146
92-045 G05 802	WG	MANUAL 15" B/W XY QS	TM-151
92-046	MA	MANUAL 14" COLOR RASTER	TM-153
92-047 G05 805	WG	MANUAL 19" B/W XY QS	TM-151
92-048	SA	MANUAL 14" COLOR	TM-157
92-049 G0719	WG	MANUAL 19" COLOR RGB	TM-160

ATARI, INC.
COIN-OPERATED GAMES DIVISION
CUSTOMER SERVICE

***** MONITOR CROSS REFERENCE LISTING *****
SORT BY MANUFACTURER'S MODEL NO.

MFR. MODEL NO.	MFR	PART DESCRIPTION	PART NUMBER
92-049 G079Q4807	WG	MANUAL 19" COLOR RASTER	TM-187
92-050 19V2000	WG	MANUAL 19" B/W XY	TM-164
92-051 K4603 463	WG	MANUAL 19" COLOR RASTER	TM-168
92-053 19K6101	WG	MANUAL 19" COLOR RASTER	TM-183
92-055 19K4625	WG	MANUAL 19" COLOR RASTER	TM-201
96 10848A01	MO	CRT 23" M22VATP4	99-010180
96 241A01	MO	CRT 19" 19VARP4	99-010179
96-10848A01	WG	CRT 23" M22VATP4	99-010180
96X0126-001	WG	TRANSISTOR PNP	99-130564
99-000030-05	EH	COMPOUND SILICON	99-120163
99-120167			99-120204



MONITOR CROSS REFERENCE BY MANUFACTURER DESCRIPTION

IF YOU DO NOT KNOW THE PART NUMBER, CHECK THIS CROSS REFERENCE BY DESCRIPTION. CHECK EVERY POSSIBLE DESCRIPTION OF THE PART...FOR EXAMPLE "YOKE PCB", CHECK UNDER "PCB" AND UNDER "YOKE"

AM = AMPLIFONE	VARIOUS	MA = MATSUSHITA	99-15__	TC = TEC	99-07__
BL = BALL BROTHERS	99-04__	MO = MOTOROLA	99-01__	WG = WELLS GARDNER	99-16__
DI = DISCO	99-17__	SA = SANYO	99-16__	ZE = ZENITH	99-14__
EH = ELECTROHOME	99-12__	SN = SANYO	99-16__		

DESCRIPTION	ATARI #	MFG #	MFG
AMPLIFER REFERENCE	99-150483	2SC1573P0	MA
AUDIO MODULE ASSY	99-010153	KV800A	MO
BARRIER	99-130480	1X0692-001	WG
BELT DRIVE USED ON 93-6001	99-010102	42B41045C01	MO
BLACK WIRE ASSY	99-130534	38A5678-000	WG
BRACKET SUPPORT LH	99-120442	35-003890-02	EH
BRACKET SUPPORT RH	99-120441	35-003890-01	EH
BRIDGE RECTIFIER ASSY	99-130423	38A5576-000	WG
BRIDGE RECTIFIER VS148	99-04016	1-021-0413	BL
BUFFER	99-150481	2SA564A	MA
CABLE P/S	99-130469	38A5693-000	WG
CABLE X ASSY	99-130468	38A5697-000	WG
CAP	99-010003	8 10212D33	MO
CAP	99-150736	ECEA1CS471E	MA
CAP	99-010003	34 2X5642 049	?
CAP 1500UF 30V ELECTRO	99-010089	23 10255A30	MO
CAP .22UF 10% 250V MYLAR	99-010127	8 10124	MO
CAP 0.0047UF 50V	99-150681	ECQM1H472M23	MA
CAP 0.01UF 50V	99-150686	ECQM1H103K23	MA
CAP 0.033UF 100V	99-150708	ECQM1333K2W	MA
CAP 0.068UF 100V	99-150717	ECQM1683M2	MA
CAP 0.56UF 10% 250V	99-010004	8 10571A23	MO
CAP 1UF 10% 630V MYLAR	99-010085	8 10212A11	MO
CAP 1800PF 50V	99-150700	ECKR1H182KB5	MA
CAP 2.2UF 10% 100V MYLAR	99-010105	8 10212A20	MO
CAP 2.2UF 25V	99-150684	ECS225EF2R2N	MA
CAP 2000UF 35V ELECTRO	99-010088	23 10255A11	MO
CAP 400UF 125V ELEC	99-010106	23 10255B45	MO
CAP 5000UF 20V ELECTRO	99-010129	23 10255B46	MO
CAPACITOR	99-120415	QEY0034-001	EH
CAPACITOR .0056UF 2000V MYLAR	99-04035	10-35-7562	BL
CAPACITOR 0.1UF 1KV Z54	99-130404	80X0099-061	WG
CAPACITOR 0.1UF 150V +80%-20%	99-120275	QFZ9008-104	EH
CAPACITOR .022UF 1.25K 10%	99-120270	QFH63BK-223	EH
CAPACITOR .035UF 400V POLY	99-130569	46X0536-016	WG
CAPACITOR .047UF 100V MYLAR	99-160319	CFIRK473	SA

FLIPPERS.COM

ATARI, INC.
 COIN-OPERATED DIVISION
 CUSTOMER SERVICE

***** MONITOR CROSS REFERENCE LISTING *****
 SORT BY DESCRIPTION

PART DESCRIPTION	PART NUMBER	MFR. MODEL NO.	MFR
CAPACITOR .056UF 125V MYLAR	99-160330	CFJCM563	SA
CAPACITOR .056UF 630V	99-070067	5270356302	TC
CAPACITOR .068UF 50V	99-120370	48-176831-21	EH
CAPACITOR .068UF 50V MYLAR	99-160332	CFHRK683	SA
CAPACITOR .068UF 50V MYLAR	99-160320	CFHRJ683	SA
CAPACITOR .082UF 50V MYLAR	99-160328	CFHRK823	SA
CAPACITOR .1UF 200V	99-120145	49-000033-01	EH
CAPACITOR .1UF 400V MYLAR 20%	99-130005	342X1044-040	WG
CAPACITOR .1UF 50V	99-120066	46-310468-65	EH
CAPACITOR .22UF 10% 250V MYLAR	99-010127	8 10124	MO
CAPACITOR .22UF 50V	99-120067	49-000032-01	EH
CAPACITOR .27UF 400V 1500PF 2KV	99-150319	ECKD3D152KBU	MA
CAPACITOR .33UF 200V	99-070060	DK5270333401	TC
CAPACITOR .33UF 200V	99-070041	56520338	TC
CAPACITOR .33UF 50V MYLAR	99-160329	CFHSJ334	SA
CAPACITOR .47UF 400V	99-160333	CNQRJ474	SA
CAPACITOR .47UF 50V	99-120068	49-000032-02	EH
CAPACITOR .47UF 50V	99-070062	OKCQ1MIH47J	TC
CAPACITOR .47UF 600V MYLAR	99-120144	48-174746-62	EH
CAPACITOR .7UF .7V ELEC	99-130001	45X0558-001	WG
CAPACITOR CLAMP MTG	99-120175	33-000479-02	EH
CAPACITOR ELEC 1.0UF 15V	99-130016	45X0524-023	WG
CAPACITOR ELECTROLYTIC	99-120015	44-000202-32	EH
CAPACITOR ELECTROLYTIC	99-120014	44-000203-20	EH
CAPACITOR 0.001UF Z5F 20%	99-130553	BOX0099-005	WG
CAPACITOR 0.0022UF 200V	99-150693	ECQM2222KZW	MA
CAPACITOR 0.0022UF 200V	99-150693	ECQM2222KZW	MA
CAPACITOR 0.0027UF 50V	99-150696	ECQM1H275KZ3	MA
CAPACITOR 0.0027UF 600V	99-150697	ECQF6272JZ	MA
CAPACITOR 0.0047UF 50V	99-150681	ECQM1H472MZ3	MA
CAPACITOR 0.0068UF 50V	99-150699	ECQM1H682MZ3	MA
CAPACITOR 0.01UF POLY	99-130514	46X0536-015	WG
CAPACITOR 0.01UF 50V	99-150686	ECQM1H103KZ3	MA
CAPACITOR 0.01UF 50V 10%	99-130291	202X7000-482	WG
CAPACITOR 0.01UF 500V CER	99-150324	ECKW2H103PE7	MA
CAPACITOR 0.01UF 630V 10%	99-130294	203X1205-487	WG
CAPACITOR 0.015UF 100V CER	99-130444	BOX0099-134	WG
CAPACITOR 0.015UF 200V 10%	99-130284	203X1201-013	WG
CAPACITOR 0.015UF 50V 10%	99-130292	203X1100-509	WG
CAPACITOR 0.018UF 200V 10%	99-130285	203X1202-034	WG
CAPACITOR 0.018UF 200V 10%	99-130290	203X1201-034	WG
CAPACITOR 0.018UF 50V	99-150698	ECQM1H183MZ3	MA
CAPACITOR 0.022UF 50V POLY	99-150546	ECQM1H223MZW	MA
CAPACITOR 0.027UF 50V	99-150682	ECQM1H273KZ3	MA
CAPACITOR 0.033UF 100V	99-150708	ECQM1333LZW	MA
CAPACITOR 0.033UF 50V POLY	99-150533	ECQM1H333MZW	MA

ATARI, INC.
COIN-OPERATED DIVISION
CUSTOMER SERVICE

***** MONITOR CROSS REFERENCE LISTING *****
SORT BY DESCRIPTION

PART DESCRIPTION	PART NUMBER	MFR. MODEL NO.	MFR
CAPACITOR 0.039UF 50V POLY	99-150531	ECQM1H393JZW	MA
CAPACITOR 0.039UF 50V POLY	99-150534	ECQM1H393MZW	MA
CAPACITOR 0.047UF 50V POLY	99-150532	ECQM1H473MZW	MA
CAPACITOR 0.056UF 400V 10%	99-130557	343X5632-049	WG
CAPACITOR 0.068UF 100V	99-150717	ECQM1683MZ	MA
CAPACITOR 0.1UF 200V	99-120414	QFM720K-104	EH
CAPACITOR 0.1UF 50V DISC	99-130400	80X0099-193	WG
CAPACITOR 0.1UF 50V POLY	99-150536	ECQM1H104MZW	MA
CAPACITOR 0.12UF 50V POLY	99-150537	ECQM1H123KZW	MA
CAPACITOR 0.15UF 50V POLY	99-150544	ECQM1H154MZW	MA
CAPACITOR 0.22UF 50V	98-130405	47X0786-008	WG
CAPACITOR 0.27UF 400V	99-150320	ECQE4274JCF	MA
CAPACITOR 0.47UF 100V	99-130554	46X0541-003	WG
CAPACITOR 0.47UF 35V ELEC	99-130401	45X0525-003	WG
CAPACITOR 0.47UF 400V	99-150712	ECQE4474JCA	MA
CAPACITOR 0.47UF 50V ELEC	99-150308	ECEA50ZR47E	MA
CAPACITOR 1.0UF 50V ELEC	99-160307	CEHEA1R0	SA
CAPACITOR 1K CER 20%	99-130012	80X0099-192	WG
CAPACITOR 1UF 160V	99-150585	ECEA2C5010E	MA
CAPACITOR 1UF 160V 100% ELEC	99-120272	QEW62CA-105	EH
CAPACITOR 1UF 250V ELEC	99-150318	ECEA250V1VE	MA
CAPACITOR 1UF 35V TANT	99-150306	ECSF35E1KE	MA
CAPACITOR 1UF 50V ELEC	99-120169	44-120509-02	EH
CAPACITOR 1UF 50V ELEC	99-150313	ECEA1H5010E	MA
CAPACITOR 1UF 50V ELEC	99-130204	203X0025-019	WG
CAPACITOR 1UF 50V 100%	99-120271	QEN61HA-105	EH
CAPACITOR 1UF 630V 10%	99-130006	46X0540-002	WG
CAPACITOR 10% POLY FILM	99-130006	46X0540-002	WG
CAPACITOR 10% Z5F CER DISC	98-130009	80X0099-057	WG
CAPACITOR 10UF 100V	99-150691	ECEA2A5100E	MA
CAPACITOR 10UF 1000V	99-120069	46-510371-75	EH
CAPACITOR 10UF 16V	99-150694	ECEA1CS100B	MA
CAPACITOR 10UF 16V ALUM ELECT	99-150540	ECEA16Z100E	MA
CAPACITOR 10UF 16V ALUM ELECT	99-150530	ECEA1CS100E	MA
CAPACITOR 10UF 16V ELEC	99-120308	44-310003-02	EH
CAPACITOR 10UF 16V ELEC	99-180301	CEDEA100	SA
CAPACITOR 10UF 16V ELECT	99-150300	ECEA16N10E	MA
CAPACITOR 10UF 160V	99-070061	OKCE2G2C100	TC
CAPACITOR 10UF 160V ELEC	99-160309	CEKEA100	SA
CAPACITOR 10UF 2KV	99-120011	46-510322-72	EH
CAPACITOR 10UF 25V ELEC	99-130279	203X0015-082	WG
CAPACITOR 10UF 250V	99-120458	QEW53EA-106	EH
CAPACITOR 10UF 250V 100% ELEC	99-120243	QEW52EA-106	EH
CAPACITOR 10UF 350V ELEC	99-130513	45X0524-035	WG
CAPACITOR 10UF 350V ELEC	99-130567	45X0524-036	WG
CAPACITOR 10UF 50V	99-150690	ECEA50Z10B	MA

A T A R I , I N C .
C O I N - O P E R A T E D D I V I S I O N
C U S T O M E R S E R V I C E

***** MONITOR CROSS REFERENCE LISTING *****
SORT BY DESCRIPTION

PART DESCRIPTION	PART NUMBER	MFR. MODEL NO.	MFR
CAPACITOR 10UF 50V ELEC	99-130293	203X0025-058	WG
CAPACITOR 100PF 12KV 10%	99-130335	202X7150-018	WG
CAPACITOR 100PF 2KV CER DISC 10%	99-130528	80X0099-118	WG
CAPACITOR 100PF 3KV CER 10%	99-130198	202X8140-022	WG
CAPACITOR 100PF 50V	99-150688	ECKR1H101KB5	MA
CAPACITOR 100PF 50V	99-150713	ECKW1H102KB5	MA
CAPACITOR 100PF 50V CERAMIC	99-160336	CCHFK101	SA
CAPACITOR 100PF 50V 10% CER	99-130281	202X8000-616	WG
CAPACITOR 100UF 10V TANT	99-120196	44-210239-03	EH
CAPACITOR 100UF 100V	99-070042	56601101	TC
CAPACITOR 100UF 100V	99-070043	56601101	TC
CAPACITOR 100UF 100V	99-150692	ECEA2A5101E	MA
CAPACITOR 100UF 16V	99-150675	ECEA1HN3R3SB	MA
CAPACITOR 100UF 16V ELEC	99-160302	CEDEA101	SA
CAPACITOR 100UF 160V ELEC	99-160310	CEKEA101	SA
CAPACITOR 100UF 160V 100% ELEC	99-120264	QEW52CA-107	EH
CAPACITOR 100UF 25V ELEC	99-130308	CEFEA101	SA
CAPACITOR 100UF 25V ELEC	99-130210	203X0015-021	WG
CAPACITOR 100UF 35V ELEC	99-120307	44-310104-04	EH
CAPACITOR 100UF 35V ELEC	99-130511	45X0524-060	WG
CAPACITOR 100UF 50V ELEC	99-130011	45X0524-051	WG
CAPACITOR 100V 5% MYLAR	99-130515	349X1041-100	WG
CAPACITOR 1000 PF 1400V	99-120457	QC29001-102	EH
CAPACITOR 1000PF 1000V CERAMIC	99-160337	CCVJP102	SA
CAPACITOR 1000PF 1000V CERAMIC	99-160325	CCVIP102	SA
CAPACITOR 1000PF 2000V CERAMIC	99-160335	CCZSK102	SA
CAPACITOR 1000PF 50V	99-150687	ECQM1H102KZ3	MA
CAPACITOR 1000PF 50V	99-150704	ECKW1H102KH5	MA
CAPACITOR 1000PF 50V 10%	99-130289	202X7000-247	WG
CAPACITOR 1000PF 50V 19% CER	99-130282	202X7000-247	WG
CAPACITOR 1000PF 500V	99-150702	ECEA1HS010B	MA
CAPACITOR 1000PF 500V	99-150703	ECKR2H1024B9	MA
CAPACITOR 1000PF 500V CER 10%	99-130021	80X0099-076	WG
CAPACITOR 1000UF 16 V ELEC	99-130358	45X0524-038	WG
CAPACITOR 1000UF 16V ELEC	99-150301	ECEA1CS101E	MA
CAPACITOR 1000UF 50V	99-120369	44-410206-10	EH
CAPACITOR 1000UF 50V ELEC	99-130443	45X0524-056	WG
CAPACITOR 10000MF 25V	99-070047	56625105	TC
CAPACITOR 120PF 50V CER-DISC	99-150547	ECCD1H121K2	MA
CAPACITOR 1200PF 500V CER	99-150316	ECKW2H122KB2	MA
CAPACITOR 15PF CER DISC 10%	99-130013	80X0099-015	WG
CAPACITOR 150PF 1.5V	99-120218	QC20101-005	EH
CAPACITOR 150PF 50V CER-DISC	99-150550	ECCD1H151K2	MA
CAPACITOR 150UF 10V ELEC	99-130023	45X0524-052	WG
CAPACITOR 150UF 400V 10%	99-120311	48-171544-62	EH
CAPACITOR 1500PF	99-120157	46-515211-30	EH

ATARI, INC.
 COIN-OPERATED DIVISION
 CUSTOMER SERVICE

***** MONITOR CROSS REFERENCE LISTING *****
 SORT BY DESCRIPTION

PART DESCRIPTION	PART NUMBER	MFR. MODEL NO.	MFR
CAPACITOR 1500PF	99-120197	46-315217-07	EH
CAPACITOR 1500PF CERAMIC	99-120157	46-515211-30	EH
CAPACITOR 1500PF CERAMIC	99-120197	46-315217-07	EH
CAPACITOR 1500PF 1500V	99-150303	ECQE10152MV	MA
CAPACITOR 1500PF 1500V 5%	99-120273	QFZ0082-152	EH
CAPACITOR 1500PF 2KV	99-150706	ECKD3D152KBN	MA
CAPACITOR 1500PF 2KV 10%	99-130334	202X7110-019	WG
CAPACITOR 1500PF 2000V CER-DISC	99-150549	ECKC3D153KBL	MA
CAPACITOR 1500PF 2000V CERAMIC	99-160326	CCZSK152	SA
CAPACITOR 1500PF 50V 10% CER	99-130277	202X7000-281	WG
CAPACITOR 1500UF ELECT	99-04032	1-012-2186	BL
CAPACITOR 1500UF 2000V CER	99-150323	ECKC3D152KBU	MA
CAPACITOR 16V 22UF 20%	99-120143	44-222137-01	EH
CAPACITOR 1800PF 50V	99-150700	ECKR1H182KB5	MA
CAPACITOR 1800PF 50V	99-150705	ECKW1H182KB5	MA
CAPACITOR 2.2UF 10% 100V MYLAR	99-010105	8 10212A20	MO
CAPACITOR 2.2UF 16V 10% TANT	99-120263	QEE51CK-225	EH
CAPACITOR 2.2UF 25V	99-150684	ECS225EF2R2N	MA
CAPACITOR 2.2UF 25V TANT	99-150305	ECSF25EF2R2VE	MA
CAPACITOR 2.2UF 50V ALUM ELECT	99-150538	ECEA1HSR2E	MA
CAPACITOR 2.2UF 50V ELEC	99-120315	44-322506-01	EH
CAPACITOR 2.2UF 50V ELEC	99-130406	45X0524-054	WG
CAPACITOR 2.2UF 50V ELEC	99-130216	203X0315-033	WG
CAPACITOR 2.2UF 50V ELEC	99-130267	203X0025-026	WG
CAPACITOR 2.2UF 50V ELECT	99-150314	ECEA1HS2R2	MA
CAPACITOR 20% MYLAR 0.1UF 400V	99-130005	342X1044-040	WG
CAPACITOR 20% 1KV CER DISC	99-130012	80X0099-192	WG
CAPACITOR 2000PF 1500V 5%	99-120268	QFZ0082-202	EH
CAPACITOR 22PF 500V CER-DISC	99-150542	ECCW2H220K	MA
CAPACITOR 22UF	99-070079	CE2GIH220	TC
CAPACITOR 22UF 100V ELEC	99-130031	45X0524-026	WG
CAPACITOR 22UF 16V ELEC	99-130268	203X0010-011	WG
CAPACITOR 22UF 16V 20%	99-120143	44-222137-01	EH
CAPACITOR 22UF 160V ELEC	99-130402	45X0524-055	WG
CAPACITOR 22UF 25V	99-150689	ECEA1EN220SE	MA
CAPACITOR 22UF 25V	99-150690	ECEA50Z10B	MA
CAPACITOR 22UF 25V	99-150714	ECEA25N220E	MA
CAPACITOR 22UF 25V ELECT	99-150307	ECEA1EN220E	MA
CAPACITOR 22UF 35V	99-070079	CE2GIH220	TC
CAPACITOR 22UF 50V ELEC	99-130512	45X0524-021	WG
CAPACITOR 220K 10% CERAMIC	99-130009	80X0099-057	WG
CAPACITOR 220PF 50V CER-DISC	99-150635	ECCW1H221K2	MA
CAPACITOR 220PF 500V	99-120317	46-322113-03	EH
CAPACITOR 220UF 10V ELEC	99-130313	203X0005-046	WG
CAPACITOR 220UF 16V	99-150673	ECEA1CS221E	MA
CAPACITOR 220UF 16V ELEC	99-160303	CEDEA221	SA

A T A R I , I N C .
 COIN-OPERATED DIVISION
 CUSTOMER SERVICE

***** MONITOR CROSS REFERENCE LISTING *****
 SORT BY DESCRIPTION

PART DESCRIPTION	PART NUMBER	MFR. MODEL NO.	MFR
CAPACITOR 220UF 16V ELEC	99-150312	ECEA1CS221	MA
CAPACITOR 220UF 25V ELEC	99-130200	203X0015-035	WG
CAPACITOR 220UF 35V ELEC	99-150309	ECEA1VS221E	MA
CAPACITOR 2200 PF 125V CER	99-130191	202X7810-214	WG
CAPACITOR 2200PF 1000V	99-150302	ECOE10222MV	MA
CAPACITOR 2200PF 2KV	99-150679	ECK03D222KBB	MA
CAPACITOR 2200PF 2KV	99-150707	ECK3D222KBN	MA
CAPACITOR 2200PF 50V CER 10%	99-130213	202X7000-327	WG
CAPACITOR 250UF 100V ELEC	99-130033	45X0524-025	WG
CAPACITOR 270PF 500V	99-130403	80X009-144	WG
CAPACITOR 270PF 500V 10% 25P	99-120065	46-327113-51	EH
CAPACITOR 2700PF 50V	99-150719	ECQM1H272MZ	MA
CAPACITOR 2700PF 50V MYLAR	99-160318	CFHRJ272	SA
CAPACITOR 2700PF 500V	99-150701	ECKW2H272KB9	MA
CAPACITOR 2700PF 630V	99-160334	CHURJ272	SA
CAPACITOR 3.3UF 160V	99-150711	ECEA160N3R3E	MA
CAPACITOR 3.3UF 160V 100% ELEC	99-120265	QEW52CA-335	EH
CAPACITOR 3.3UF 25V ELEC	99-150304	ECEA1ES3R3E	MA
CAPACITOR 3.3UF 50V	99-120412	QEN61HA-335	EH
CAPACITOR 3.3UF 50V	99-150674	ECEA1HN3R3SB	MA
CAPACITOR 3CKT	99-130502	3A0631-001	WG
CAPACITOR 3PF 2KV .5 PF CER	99-130218	202X8105-014	WG
CAPACITOR 33UF 150V ELEC	99-130007	45X0515-032	WG
CAPACITOR 33UF 16V	99-150695	ECSZ16EF33N	MA
CAPACITOR 33UF 160V	99-150716	ECEA2CS330	MA
CAPACITOR 33UF 160V ALUM ELEC	99-150551	ECEA160V33ZE	MA
CAPACITOR 33UF 160V ELEC	99-150326	ECEA2CS330E	MA
CAPACITOR 33UF 25V ELEC	99-130201	203X0015-006	WG
CAPACITOR 33UF 250V ELEC	99-130529	45X0524-059	WG
CAPACITOR 330PF 50V CER-DISC	99-150528	ECKW1H331KB2	MA
CAPACITOR 330PF 500V CER 10%	99-130014	80X0099-013	WG
CAPACITOR 330UF 200V ELEC	99-130192	203X0220-043	WG
CAPACITOR 330UF 25V ELEC	99-160305	CEFAN331	SA
CAPACITOR 3300PF 50V POLY	99-150548	ECQM1H332MZ	MA
CAPACITOR 3300PF 500V	99-150710	ECKW2H332KB9	MA
CAPACITOR 3300PF 600V POLY FILM	99-150315	ECQF6332KZH	MA
CAPACITOR 3300UF 50V 10%	99-130280	203X1100-220	WG
CAPACITOR 39PF 500V CER 10%	99-130212	202X8065-461	WG
CAPACITOR 390PF 2000V CER	99-150321	ECKD3D391KB9	MA
CAPACITOR 3900PF 50V POLY	99-150539	ECQM1H392KZW	MA
CAPACITOR 4.7UF 106V ELEC	99-130445	45X0524-057	WG
CAPACITOR 4.7UF 150V ELEC	99-120141	44-347509-05	EH
CAPACITOR 4.7UF 160V ELEC	99-160311	CEKEA4R7	SA
CAPACITOR 4.7UF 160V ELEC	99-130286	203X0040-013	WG
CAPACITOR 4.7UF 25V ELEC	99-160306	CEFAN4R7	SA
CAPACITOR 4.7UF 25V ELEC	99-130283	203X0015-105	WG

A T A R I , I N C .
C O I N - O P E R A T E D D I V I S I O N
C U S T O M E R S E R V I C E

***** MONITOR CROSS REFERENCE LISTING *****
SORT BY DESCRIPTION

PART DESCRIPTION	PART NUMBER	MFR. MODEL NO.	MFR
CAPACITOR 4.7UF 250UF ELEC	99-150317	ECEA250V4R73	MA
CAPACITOR 4.7UF 250V	99-150709	ECEA2ES4R7E	MA
CAPACITOR 4.7UF 6.3V	99-120413	QEW51JA-475	EH
CAPACITOR 45UF 125V LOW ESR	99-120070	44-000205-01	EH
CAPACITOR 450UF 200V	99-070039	24075094	TC
CAPACITOR 47PF CERAMIC	99-120305	46-347013-15	EH
CAPACITOR 47PF 500V CER	99-130203	202C8065-499	WG
CAPACITOR 47PF 6KV	99-120012	46-547016-90	EH
CAPACITOR 47UF 16V	99-010157	23 10255A27	MO
CAPACITOR 47UF 16V ELEC	99-160304	CEDEA470	SA
CAPACITOR 47UF 160V ELEC	99-120316	44-347008-08	EH
CAPACITOR 47UF 160V ELEC	99-160312	CEKEA470	SA
CAPACITOR 47UF 160V ELEC	99-130195	203X0040-052	WG
CAPACITOR 47UF 160V 100% ELEC	99-120267	QED22CA-476	EH
CAPACITOR 47UF 35V	99-150311	ECEA1VS470E	MA
CAPACITOR 47UF 50V ELEC	99-120142	44-347006-05	EH
CAPACITOR 47UF 50V ELEC	99-130278	203X0025-087	WG
CAPACITOR 47UF 50V ELEC	99-130008	45X0524-027	WG
CAPACITOR 470 PF	99-070082	CK1B3D471K	TC
CAPACITOR 470PF 25F CER 10%	99-130034	80X0099-006	WG
CAPACITOR 470PF 2KV	99-120013	4Y-547122-93	EH
CAPACITOR 470PF 200V	99-150718	ECKDEL471MB	MA
CAPACITOR 470PF 50V	99-150676	ECKW1H561KB5	MA
CAPACITOR 470PF 500V CERAMIC	99-160322	CCSFK471	SA
CAPACITOR 470UF 6.3V ELEC	99-130215	203X0005-029	WG
CAPACITOR 470UF 10V ELEC	99-160300	CEBEA471	SA
CAPACITOR 470UF 16V ELEC	99-130010	45X0524-053	WG
CAPACITOR 470UF 25V ELEC	99-130209	203X0015-053	WG
CAPACITOR 470UF 35V ELEC	99-150310	ECEA1VS471E	MA
CAPACITOR 470UF 35V ELEC	99-130556	45X0524-058	WG
CAPACITOR 470UF 50V	99-120071	44-347106-10	EH
CAPACITOR 4700PF 125V +80%-20%	99-120274	QCZ9013-472	EH
CAPACITOR 4700PF 50V POLY	99-150543	ECQM1H472MZW	MA
CAPACITOR 4700PF 500V CERAMIC	99-160323	CCSFK472	SA
CAPACITOR 4700UF CER DISC 10%	99-130026	80X0099-056	WG
CAPACITOR 4700UF 50V ELEC	99-130555	45X0563-001	WG
CAPACITOR 5% POLY 0.01UF	99-130004	46X0536-011	WG
CAPACITOR 500PF 2000V CERAMIC	99-160327	CCZSK501	SA
CAPACITOR 53UF 1200V 10%	99-120269	QFZ0067-534	EH
CAPACITOR 56K 10%	99-130003	342X5642-049	WG
CAPACITOR 560PF 2000V CER	99-150322	ECKC9D561KB9	MA
CAPACITOR 560PF 50V	99-150683	ECKN1H561KB5	MA
CAPACITOR 560UF 180V	99-150325	ECET180V560S	MA
CAPACITOR 5600PF 50V 5%	99-120266	QFP31HJ-562	EH
CAPACITOR 6PF 50V .5PF CER	99-130217	202X8000-164	WG
CAPACITOR 68PF	99-130520	80X0099-103	WG

A T A R I , I N C .
 COIN-OPERATED DIVISION
 CUSTOMER SERVICE

***** MONITOR CROSS REFERENCE LISTING *****
 SORT BY DESCRIPTION

PART DESCRIPTION	PART NUMBER	MFR. MODEL NO.	MFR
CAPACITOR 68PF CERAMIC	99-120306	46-368013-15	EH
CAPACITOR 68PF 50V 10%	99-130336	202X8000-550	WG
CAPACITOR 680PF 50V	99-150678	ECKW1H681KB5	MA
CAPACITOR 680PF 500V CER 10%	99-130024	80X0099-137	WG
CAPACITOR 6800PF 50V ELEC	99-130399	45X0559-001	WG
CAPACITOR 6800UF 50V ELEC	99-120314	44-568205-06	EH
CAPACITOR 6900 PF 1.5K 5%	99-130214	203X1270-470	WG
CAPACITOR 7200UF 50V ELEC	99-120168	44-000188-04	EH
CAPACITOR 800UF 200V	99-150715	ECET200H800X	MA
CAPACITOR 82PF 50V	99-150720	ECCW1H820K2	MA
CAPACITOR 82PF 50V CER 5%	99-130205	202X8000-577	WG
CAPACITOR 82PF 50V CER-DISC	99-150545	ECCW1H820K	MA
CAPACITOR 820PF 50V	99-150677	ECKW1H471KB5	MA
CAPACITOR 820PF 50V	99-150680	ECKW1H21KB5	MA
CAPACITOR 820PF 50V CER-DISC	99-150529	ECKW1H821KB2	MA
CAPACITOR 820PF 50V CERAMIC	99-160321	CCHF821	SA
CAPACITOR 820PF 500V CERAMIC	99-160324	CCSFK821	SA
CAPACITOR 8200PF 400V PLYFLM	99-150541	ECQF4822MZH	MA
CAPACITOR 8200PF 50V MYLAR	99-160317	CFHRK822	SA
CARD EDGE HOUSING 12 POS	99-010078	15 10390A06	MO
CFT UNIT EZT	99-160462	U885485	SA
CHASSIS BASE	99-120443	38-000449-02	EH
CHASSIS COMPLETE	99-120208	10-000138-01	EH
CHASSIS KIT X-Y	99-120053	05-160001-01	EH
CHOKE (HOCKE)	99-160500	E0476	SA
CHOKE VERTICAL	99-010111	25 25221C12	MO
CHOKE 12UH	99-120179	21-001410-02	EH
CLAMP	99-120440	35-002348-01	EH
CLIP CABLE	99-130487	6X0116-001	WG
CLIP FUSE MTG	99-120152	33-000446-03	EH
CLIP PCB SUPPORT	99-120433	33-000629-02	EH
COIL	99-010050	24-68801A67	MO
COIL	99-010051	24-69163A18	MO
COIL	99-120445	21-001007-30	EH
COIL	99-120276	A75960-6	EH
COIL	99-120244	00LQ43K-101	EH
COIL	99-010052	24 25000A74	MO
COIL	99-010050	24 68801A67	MO
COIL	99-160582	A0285	SA
COIL CHOKE	99-120279	C30316-A	EH
COIL CHOKE HC2-035	99-070028	589512012	TC
COIL CORE	99-150453	TLP408C	MA
COIL DEF M5000 155 M5010 155	99-010181	24 25261A09	MO
COIL DEFLECTION	99-150585	TLY5384F(M)	MA
COIL DEFLECTION	99-010107	24 25261A03	MO
COIL DEFLECTION	99-010015	24 68523A15	MO

ATARI, INC.
COIN-OPERATED DIVISION
CUSTOMER SERVICE

***** MONITOR CROSS REFERENCE LISTING *****
SORT BY DESCRIPTION

PART DESCRIPTION	PART NUMBER	MFR. MODEL NO.	MFR
COIL DEFLECTION	99-010104	24 68523A05	MO
COIL DEFLECTION	99-010108	24 25261A04	MO
COIL DEGAUSSING	99-120310	21-001007-30	EH
COIL DEGAUSSING	99-150586	TLK159072	MA
COIL DEGAUSSING	99-150553	TLK59007H-1	MA
COIL DEGAUSSING	99-160460	L7690AGD	SA
COIL DEGAUSSING	99-130349	9A2753-003	WG
COIL DEGAUSSING	99-130499	9A2753-005	WG
COIL DEGAUSSING	99-130485	38A5700-000	WG
COIL FILTER	99-160454	LXX1R5	SA
COIL FILTER	99-0160451	L7133	SA
COIL FILTER 10UH	99-130183	201X4600-042	WG
COIL HORIZ	99-010114	24 25248B11	MO
COIL HORIZ	99-010122	24 25603A09	MO
COIL HORIZ	99-010115	24 25248A14	MO
COIL HORIZ CHOKE HDH100K	99-0700271	589512015	TC
COIL HORIZ LIN	99-130048	9A2789-001	WG
COIL HORIZ OSC	99-010049	24 68822A08	MO
COIL HORIZ OSC	99-130312	201X5200-091	WG
COIL HORIZ OSC	99-130047	9A2788-001	WG
COIL HORIZ SIZE	99-130189	9A2795-001	WG
COIL HORIZ. LINEARITY	99-120008	21-001148-01	EH
COIL HORIZ. OSC	99-120042	21-001070-02	EH
COIL HORIZ. OSC	99-010049	24-68822A08	MO
COIL HORIZ. WIDTH	99-150009	TLH15701	MA
COIL HORIZONTAL AMPLITUDE	99-150590	TLH15757	MA
COIL LINE FILTER R-3	99-130182	201X6000-112	WG
COIL LINEAR	99-150589	TLH6658P	MA
COIL LINEARITY	99-120277	A39835	EH
COIL LINEARITY	99-150454	TLH6623P	MA
COIL M7000 155 DEFLEC	99-010123	24 25261A10	MO
COIL PEAKING	99-150587	TLT82-106	MA
COIL PEAKING	99-160475	LXXK5R6	SA
COIL PEAKING	99-160474	LXXK220	SA
COIL PEAKING	99-160457	LXXK470	SA
COIL PEAKING	99-160456	LXX150	SA
COIL PEAKING	99-160454	?	SN
COIL PEAKING	99-160456	?	SN
COIL PEAKING	99-160457	?	SN
COIL PEAKING 22UH	99-130184	201X4100-024	WG
COIL PIN PHASE	99-120010	21-001099-02	EH
COIL WIDTH	99-120278	C30380-A	EH
COIL WIDTH	99-160453	A0290	SA
COIL WIDTH	99-160452	A701B	SA
COIL WIDTH	99-130044	9A2787-001	WG
COIL WIDTH	99-160452	?	SN

A T A R I , I N C .
 CDIN-OPERATED DIVISION
 CUSTOMER SERVICE

***** MONITOR CROSS REFERENCE LISTING *****
 SORT BY DESCRIPTION

PART DESCRIPTION	PART NUMBER	MFR. MODEL NO.	MFR
COIL WIDTH	99-160453	?	SN
COIL WIDTH AZ 9177C	99-070029	589514013	TC
COIL 1UH PEAKING	99-150591	TLTD10L999	MA
COIL 3.58MHZ	99-120146	21-001126-01	EH
COIL 4.7UH	99-150450	TLT047L-999G	MA
COIL 47UH	99-150451	TLT047L-999	MA
COMPOUND SILICON	99-120163	99-000030-05	EH
CONNECTOR	99-120062	34-000655-08	EH
CONNECTOR	99-120186	34-000655-03	EH
CONNECTOR	99-120187	34-000655-02	EH
CONNECTOR	99-010142	9 25376A02	MO
CONNECTOR	99-010093	42 65864A54	MO
CONNECTOR	99-010142	9 25376A02	MO
CONNECTOR	99-010140	9 25376A04	MO
CONNECTOR	99-010140	9 66133A34	MO
CONNECTOR	99-010142	9 66133A28	MO
CONNECTOR #22 AMP 8 CKT	99-130493	3A0629-008	WG
CONNECTOR #5 AMP 5CKT	99-130494	3A0629-005	WG
CONNECTOR AMP 350342-2	99-130486	3A0627-002	WG
CONNECTOR AMP 350342-3	99-130496	3A0627-003	WG
CONNECTOR AND LEAD HV	99-120382	34-000717-01	EH
CONNECTOR ASSY	99-070072	PE-19-1573	TC
CONNECTOR CONTACT	99-010057	39 10184A52	MO
CONNECTOR CONTACT	99-010043	39-10184A63	MO
CONNECTOR FITS 99-010042	99-010043	39-10184A63	MO
CONNECTOR HEADER 5CKT	99-130429	6A0394-005	WG
CONNECTOR HEADER 7CKT	99-130427	6A0394-007	WG
CONNECTOR HEADER 8CKT RIGHT ANG	99-130519	6A0395-001	WG
CONNECTOR HEADER 8CKT RIGHT ANG	99-130533	6A0395-008	WG
CONNECTOR HOUSING 1CKT	99-130540	3A0627-001	WG
CONNECTOR KEY	99-120064	34-000552-01	EH
CONNECTOR NYLON	99-120188	34-000655-07	EH
CONNECTOR PIN AMP #350538-1	99-130600	30X0761-001	WG
CONNECTOR PLUG 4CKT	99-130224	204X9600-298	WG
CONNECTOR PLUG LINE CORD	99-130348	6A0397	WG
CONNECTOR PLUG 10 POS	99-010056	15 10183A22	MO
CONNECTOR PLUG 2 CKT	99-130227	204X9600-249	WG
CONNECTOR PLUG 2 CKT	99-130228	204X9600-670	WG
CONNECTOR PLUG 3CKT	99-130543	6A0401-001	WG
CONNECTOR PLUG 3CKT	99-130223	204X9600-254	WG
CONNECTOR PLUG 3CKT	99-130222	204X9600-260	WG
CONNECTOR PLUG 4CKT	99-130363	20X9600-845	WG
CONNECTOR PLUG 5CKT	99-130341	204X9600-329	WG
CONNECTOR PLUG 6 CKT	99-130364	6A0393-006	WG
CONNECTOR PLUG 6 CKT	99-130310	204X9601-195	WG
CONNECTOR PLUG 6 CKT	99-130226	204X9600-380	WG

ATARI, INC.
 CDIN-OPERATED DIVISION
 CUSTOMER SERVICE

***** MONITOR CROSS REFERENCE LISTING *****
 SORT BY DESCRIPTION

PART DESCRIPTION	PART NUMBER	MFR. MODEL NO.	MFR
CONNECTOR PLUG 6CKT	99-130225	204X9600-351	WG
CONNECTOR RCPT AMP 350850-1	99-130495	30X0754-001	WG
CONNECTOR RCPT 10CKT	99-130421	3A0629-010	WG
CONNECTOR RCPT 7CKT	99-130422	3A0629-007	WG
CONNECTOR SOCKET CRT	99-120185	34-000213-12	EH
CONNECTOR SOCKET CRT	99-130457	12X1207-001	WG
CONNECTOR SOCKET 4 CKT	99-130340	206X5003-983	WG
CONNECTOR SOCKET 4CK	99-130362	206X5019-207	WG
CONNECTOR SOCKET 5CKT	99-130339	206X5003-729	WG
CONNECTOR SOCKET 6 CKT	99-130221	206X5003-960	WG
CONNECTOR SOCKET 8CKT	99-130309	204X9300-958	WG
CONNECTOR WAFER	99-120181	34-000711-01	EH
CONNECTOR WAFER	99-120120	34-000621-07	EH
CONNECTOR WAFER	99-120115	34-000621-03	EH
CONNECTOR WAFER	99-120154	34-000557-08	EH
CONNECTOR WAFER	99-120116	34-000621-05	EH
CONNECTOR WAFER	99-120153	34-000557-02	EH
CONNECTOR 10 PIN	99-120360	34-000621-10	EH
CONNECTOR 10 PIN	99-120387	34-000655-10	EH
CONNECTOR 10CKT	99-130426	6A0394-010	WG
CONNECTOR 12 PIN	99-04053	1-034-0343	BL
CONNECTOR 12 PIN	99-04052	1-034-0306	BL
CONNECTOR 12 POSITION	99-010042	15-10183A89	MO
CONNECTOR 12CKT	99-130425	6A0391-002	WG
CONNECTOR 15 CKT	99-130565	6A0399-001	WG
CONNECTOR 15 PIN	99-04056	1-034-0347	BL
CONNECTOR 15CKT ASSY	99-130561	38A5675-000	WG
CONNECTOR 3 PIN	99-04054	1-034-0290	BL
CONNECTOR 3 PIN	99-04057	1-034-0294	BL
CONNECTOR 6 CKT	99-120309	34-000548-08	EH
CONNECTOR 6 PIN	99-04055	1-034-0348	BL
CONNECTOR 7 PIN	99-120390	34-000655-07	EH
CONNECTOR 7CKT	99-130428	6A0394-001	WG
CONTACT	99-010079	39 10184A22	MO
CONTROL	99-010149	18 25245A29	MO
CONTROL	99-010145	18 25245A27	MO
CONTROL	99-010060	17 6582A37	MO
CONTROL	99-010151	18 25245A01	MO
CONTROL	99-010150	18 25245A31	MO
CONTROL	99-010130	18 25217A03	MO
CONTROL	99-010053	18 66401A54	MO
CONTROL	99-010148	18 25245A27	MO
CONTROL MTG	99-120102	41-000931-02	EH
CONTROL PCB MTG	99-120104	USE 99-120102	EH
CONTROL 1K OHM BLACK	99-130531	40X0641-004	WG
CONTROL 15OHMS	99-010032	18 67671A18	MO

ATARI, INC.
 COIN-OPERATED DIVISION
 CUSTOMER SERVICE

***** MONITOR CROSS REFERENCE LISTING *****
 SORT BY DESCRIPTION

PART DESCRIPTION	PART NUMBER	MFR. MODEL NO.	MFR
CONTROL 2 M FOCUS RESISTOR	99-010166	18 25218A14	MO
CONTROL 200R	99-010167	18 25245A28	MO
CONTROL 300 OHM CLEAR	99-130530	40X0641-003	WG
CONVERGENCE ASSY	99-120004	15-500075-01	EH
CORE	99-150588	TSC909	MA
CORE PIPE	99-160461	Z2003	SA
CORE 1UH	99-150452	EFSM4TWO01A	MA
CORE 1UH COIL	99-150453	TLP408C	MA
COVER	99-120161	35-003679-01	EH
COVER CRT SOCKET	99-150559	TMM15202	MA
COVER EHT SHIELD	99-120384	35-004019-01	EH
COAPACITOR 20% MYLAR 0.1UF 100V	99-130028	349X1044-109	WG
CRT	99-120396	17-006152-05	EH
CRT HARNESS ASY	99-120459	02-160015-01	EH
CRT HARNESS ASY 15"	99-120463	02-160024-01	EH
CRT PCB	99-150007	TNP72902-9F	MA
CRT PCB 6 WIRE REF 99-070078	99-070050	485TM60003A	TC
CRT PCB 7WIRE REF 99-070050	99-070078	485TM60003A	TC
CRT SOCKET	99-04049	6-004-0690	BL
CRT SOCKET	99-010141	9 67555C27	MO
CRT SOCKET	99-160472	E3501	SA
CRT SOCKET M50000	99-010183	9 25470A01	MO
CRT SOCKET 15" 8 19"	99-150008	TJS35030	MA
CRT SOCKET 9 25470A01	99-010183	M50000	MO
CRT 12" B/W 310GNB4A	99-070083	5380000120	TC
CRT 12" 5380000120	99-070083	310GNB4A	TC
CRT 14" CLR 370ECB22	99-160006	Q9251XHA	SA
CRT 14" COLOR	99-150003	370GHB22	MA
CRT 14" COLOR 370ECB22	99-160006	Q9251XHA	SA
CRT 14" Q9251XHA	99-160006	370ECB22	SA
CRT 19"	99-120002	19VEWF22	EH
CRT 19"	99-150584	510TFB22AW	MA
CRT 19"	99-010040	20WP4	MO
CRT 19"	99-070018	538000060	TC
CRT 19" B&W EH & WG	99-120054	USE 99-010179	EH
CRT 19" COLOR	99-120427	17-007198-03	EH
CRT 19" 19VARP4	99-010179	96 241A01	MO
CRT 19" 19VARP4 (SYLVANIA)	99-010178	17-006202-01	EH
CRT 19" 19VJTP22	99-120215	17-007198-02	EH
CRT 19" 96 241A01	99-010179	19VARP4	MO
CRT 19VARP4/M50-102W	99-130456	88X0122-056	WG
CRT 19VJTP22	99-130342	88X-0129-508	WG
CRT 19VLUP22	99-130472	88X0135-506	WG
CRT 23"	99-010041	23JEP4	MO
CRT 23"	99-010180	M22VATP4	MO
CRT 23" M22VATP4	99-010180	96 10848A01	MO

ATARI, INC.
 COIN-OPERATED DIVISION
 CUSTOMER SERVICE

***** MONITOR CROSS REFERENCE LISTING *****
 SORT BY DESCRIPTION

PART DESCRIPTION	PART NUMBER	MFR. MODEL NO.	MFR
CRT 23" M22VATP4	99-010180	96-10B4BA01	WG
CRT 23" 96 10B4BA01	99-010180	M22VATP4	MO
CRT 25"	99-120001	25VCNP22	EH
CRT 510UTB22	99-160470	Q9656XHK	SA
CRT 88X 0129 506	99-130342	19VJTP22	WG
CRT 88X0122-056	99-130456	19VARP4/M50-102W	WG
CRT 88X0135-506	99-130472	19VLUP22	WG
DAG SPG ASSY	99-130488	38A5701-000	WG
DEFLECTION COIL	99-150585	TLY5384F(M)	MA
DEFLECTION COIL	99-010107	24 25261A03	MO
DEFLECTION COIL	99-010015	24 68523A15	MO
DEFLECTION COIL	99-010104	24 68523A05	MO
DEFLECTION COIL	99-010108	24 25261A04	MO
DEFLECTION COIL	99-010123	24 25261A10	MO
DEFLECTION COIL (YOKE)	99-04030	6-004-0352	BL
DEFLECTION PANEL	99-120050	02-160001-01	EH
DEFLECTION PANAY ASSY	99-120458	02-160013-01	EH
DEFLECTION PCB ASSY	99-130466	P299	WG
DEFLECTION PCB P314	99-130474	38A5673-000	WG
DEFLECTION PCB 38A5673-000	99-130474	P314	WG
DEFLECTION PCB 38A5673-100	99-130545	914	WG
DEFLECTION PCB 914	99-130545	38A5673-100	WG
DEFLECTION YOKE	99-120210	A29779-D	EH
DEFLECTION YOKE	99-160450	DO631XHA	SA
DEFLECTION YOKE	99-160458	DO655KHA	SA
DEFLECTION YOKE	99-130476	9A2806-001	WG
DEFLECTION YOKE	99-130459	9A2794-001	WG
DEFLECTION YOKE	99-130345	202X1110-810	WG
DEFLECTION YOKE COIL	99-070001	589515015	TC
DEFLECTION YOKE WEDGE 2082400901	99-130477	611X0003-005	WG
DEGAUSSING ASY PURITY SHIELD	99-130343	38A5554-000	WG
DEGAUSSING ASY PURITY SHIELD	99-130471	38A5695-000	WG
DEGAUSSING COIL	99-120310	21-001007-30	EH
DEGAUSSING COIL	99-150586	TLK159072	MA
DEGAUSSING COIL	99-150553	TLK59007H-1	MA
DEGAUSSING COIL	99-160460	L7690AGD	SA
DEGAUSSING COIL	99-130349	9A2753-003	WG
DEGAUSSING COIL	99-130499	9A2753-005	WG
DEGAUSSING COIL	99-130485	38A5700-000	WG
DIODE	99-120023	14-000514-64	EH
DIODE	99-120021	14-000514-30	EH
DIODE	99-120022	14-000514-20	EH
DIODE	99-120350	14-000514-42	EH
DIODE	99-120425	1S1887	EH
DIODE	99-120291	1S2471V	EH
DIODE	99-120232	W06-A	EH

ATARI, INC.
 COIN-OPERATED DIVISION
 CUSTOMER SERVICE

***** MONITOR CROSS REFERENCE LISTING *****
 SORT BY DESCRIPTION

PART DESCRIPTION	PART NUMBER	MFR. MODEL NO.	MFR
DIODE	99-120292	1S2473H	EH
DIODE	99-120420	W06A	EH
DIODE	99-120233	V09-E	EH
DIODE	99-120424	1S2473	EH
DIODE	99-120235	RM2-(C)	EH
DIODE	99-120295	HE-1	EH
DIODE	99-120421	1S2473	EH
DIODE	99-120296	V19-E	EH
DIODE	99-120294	V11-CA	EH
DIODE	99-120423	1S581	EH
DIODE	99-150110	MI-155	MA
DIODE	99-150107	ERB12-01	MA
DIODE	99-150578	TVSC0410	MA
DIODE	99-150105	RH1S	MA
DIODE	99-150106	RV2M	MA
DIODE	99-150575	TVSB2406B	MA
DIODE	99-150103	MA150TA	MA
DIODE	99-150580	TVSRM1Z	MA
DIODE	99-150102	MA161TA	MA
DIODE	99-160105	E1714ZS	SA
DIODE	99-160104	E1704R	SA
DIODE	99-160107	E1207ZF	SA
DIODE	99-160101	E133BR	SA
DIODE	99-010063	48 67120A11	MO
DIODE	99-150731	TVSB1201	MA
DIODE	99-160103	E1340R	SA
DIODE	99-160106	E112A4	SA
DIODE	99-010146	48 137638	MO
DIODE	99-160100	E1235RB	SA
DIODE	99-010155	48 137634	MO
DIODE	99-010121	48 67120A13	MO
DIODE	99-160102	E1339R	SA
DIODE	99-150732	RVSRM1ZM	MA
DIODE	99-160501	E1032RT	SA
DIODE	99-160503	E1767Z	SA
DIODE	99-160581	E1344Z	SA
DIODE	99-160577	E1533R	SA
DIODE	99-160576	E1256R	SA
DIODE	99-150580	TVSRM1Z	MA
DIODE B599	99-04051	1-021-0451	BL
DIODE D1D	99-010176	48 134921	MO
DIODE D1K	99-010007	48 134978	MO
DIODE D1K	99-010177	48 134978	MO
DIODE DUAL	99-010009	48 134917	MO
DIODE D2Y	99-010047	48-137114	MO
DIODE D2Y	99-010047	48 137114	MO

ATARI, INC.
 CD IN - OPERATED DIVISION
 CUSTOMER SERVICE

***** MONITOR CROSS REFERENCE LISTING *****
 SORT BY DESCRIPTION

PART DESCRIPTION	PART NUMBER	MFR. MODEL NO.	MFR
DIODE D2105SE RCA	99-130125	66X0054-002	WG
DIODE EQB01-06V	99-130316	201X2230-042	WG
DIODE ERC27-13	99-130448	66X0068-002	WG
DIODE FAST RECOVERY	99-120106	28-000044-01	EH
DIODE FAST RECOVERY BY2081000	99-120176	28-000044-01	EH
DIODE FDH444 SILICON	99-130124	66X0046-001	WG
DIODE IN 5231B	99-010118	48 1083A02	MO
DIODE IN100	99-120118	31-IN100	EH
DIODE IN60TVGL GE	99-130302	200X8000-026	WG
DIODE ISC367	99-130338	201X2100-126	WG
DIODE ISS81	99-130304	201X2010-165	WG
DIODE ISS81	99-130303	200X8010-165	WG
DIODE IS2473	99-130306	200X8010-094	WG
DIODE LIGHT EMITTING	99-130409	7A0363-001	WG
DIODE LIGHT EMITTING RED	99-120112	14-000521-03	EH
DIODE MA26W	99-130305	200X010-102	WG
DIODE MR-1600 DAMPER	99-130118	66X0068-001	WG
DIODE MR501	99-120183	31-MR501	EH
DIODE MR9701	99-070026	5340200260	TC
DIODE MSD6102 DUAL	99-130125	66X0066-001	WG
DIODE POSISTOR	99-150582	ERPF5B0M080F	MA
DIODE RD10EBI	99-130307	200X8220-851	WG
DIODE RU-1 .3 US	99-130308	200X8100-130	WG
DIODE RU-2V	99-130181	201X2130-234	WG
DIODE SB-2CGL 1200V	99-130178	200X8130-171	WG
DIODE SILICON	99-150571	MA150	MA
DIODE SILICON	99-150583	TVSRM2C	MA
DIODE SILICON	99-150576	MA162	MA
DIODE SILICON	99-150574	TVSB2406C	MA
DIODE SILICON	99-150104	MA26W0	MA
DIODE SILICON	99-150577	TVSMB1F	MA
DIODE SILICON	99-150570	TVSRM12M	MA
DIODE SILICON	99-150573	TVSRP1A	MA
DIODE SILICON	99-150729	MA162TA5	MO
DIODE SILICON	99-070049	5340200440	TC
DIODE SILICON 1N4004	99-070010	5340200280	TC
DIODE SILICON 5340200280	99-070010	1N4004	TC
DIODE SW 75V 250MW	99-120117	31-IN914	EH
DIODE SW 75V 250MW	99-120117	31-IN914	EH
DIODE S3A2	99-130407	66X0073-001	WG
DIODE TS2473-TZ2	99-130179	201X2010-144	WG
DIODE ZENER	99-120026	14-000515-53	EH
DIODE ZENER	99-120024	14-000515-42	EH
DIODE ZENER	99-010008	48-137266	MO
DIODE ZENER	99-120025	14-000515-50	EH
DIODE ZENER	99-010008	48-137469	MO

ATARI, INC.
 COIN-OPERATED DIVISION
 CUSTOMER SERVICE

***** MONITOR CROSS REFERENCE LISTING *****
 SORT BY DESCRIPTION

PART DESCRIPTION	PART NUMBER	MFR. MODEL NO.	MFR
DIODE ZENER	99-120234	RD20EV2	EH
DIODE ZENER	99-120236	RD68EV3	EH
DIODE ZENER	99-120422	RD10F	EH
DIODE ZENER	99-120293	RD11E(B)	EH
DIODE ZENER	99-150111	MI-15R	MA
DIODE ZENER	99-150572	TVSQA107RE	MA
DIODE ZENER	99-150112	RM-25	MA
DIODE ZENER	99-010008	48 137266	MO
DIODE ZENER	99-010011	48 10641D43	MO
DIODE ZENER	99-010174	1N5234	MO
DIODE ZENER	99-010048	USE 99-010008	MO
DIODE ZENER D7G	99-010008	48 137469	MO
DIODE ZENER 1/2W 62V	99-130451	66X0040-021	WG
DIODE ZENER 1/2W 9.1V	99-130450	66X0040-020	WG
DIODE ZENER 1N5234	99-010174	48 16813A01	MO
DIODE ZENER 1N5242	99-010173	48 10813A03	MO
DIODE ZENER 1N5881	99-04018	1-021-0452	BL
DIODE ZENER 1W 24V	99-130452	66X0040-007	WG
DIODE ZENER 11V	99-150109	EQA01-11S	MA
DIODE ZENER 11V	99-150581	TVSQA111SE	MA
DIODE ZENER 110V 5% 1N5272B	99-120177	14-000515-17	EH
DIODE ZENER 12V 1W 1N4742A	99-120119	14-000515-75	EH
DIODE ZENER 150V 1M1502	99-04028	1-021-0455	BL
DIODE ZENER 22V 1N5933	99-04019	1-021-0446	BL
DIODE ZENER 27V 5W 5%	99-120170	14-000515-74	EH
DIODE ZENER 48 10813A03	99-010173	1N5242	MO
DIODE ZENER 56V 1/2W 5%	99-120376	14-000515-84	EH
DIODE ZENER 6	99-150101	EQA01-06	MA
DIODE ZENER 68V 5% 1N981B	99-120148	14-000515-73	EH
DIODE ZENER 9.1V 5% 1N5239B	99-120147	14-000515-67	EH
DIODE ZENER 9V	99-150108	HZ9A2	MA
DIODE 0.8 US RC-2V	99-130180	201X2100-119	WG
DIODE 1A 600PIV	99-120176	28-000044-01	EH
DIODE 1N100	31-1N100	14-000514-37	EH
DIODE 1N100	99-120118	31-1N100	EH
DIODE 1N4001	99-130411	66X0071-001	WG
DIODE 1N4001 (T1)	31-1N4001	14-000525-01	EH
DIODE 1N4006 SILICON	99-070014	5340200290	TC
DIODE 1N60 GERMANIUM	99-070011	5340100040	TC
DIODE 1N914 (T1)	31-1N914	14-000514-36	EH
DIODE 1N914B	99-130408	66X0070-001	WG
DIODE 12V 1N5858A ZENER	99-070015	5340300220	TC
DIODE 12V 5340300220	99-070015	1N585A	TC
DIODE 13V 1W ZENER	99-130575	66X0040-017	WG
DIODE 150V 1W 5% ZENER	99-130576	66X0040-008	WG
DIODE 200X8000-026	99-130302	IN60TVGL GE	WG

A T A R I , I N C .
C O I N - O P E R A T E D D I V I S I O N
C U S T O M E R S E R V I C E

***** MONITOR CROSS REFERENCE LISTING *****
SORT BY DESCRIPTION

PART DESCRIPTION	PART NUMBER	MFR. MODEL NO.	MFR
DIODE 250V	99-130410	6X0069-001	WG
DIODE 28V 1W 5% ZENER	99-130599	66X0040-025	WG
DIODE 3A MR501 (MOTOROLA)	31-MR501	14-000514-38	EH
DIODE 31V ZENER	99-130139	66X0040-004	WG
DIODE 350V AMPEREX BA148	99-130119	66X0053-001	WG
DIODE 4.3V 1/2W ZENER	99-130585	66X0040-011	WG
DIODE 5% .5W 3.9V	99-130361	66X0040-019	WG
DIODE 5% .5W 6.8V	99-130360	66X0040-018	WG
DIODE 50V 1A	99-120107	31-1N4001	EH
DIODE 50V 1A	99-120107	31-1N4001	EH
DIODE 5340100040	99-070011	1N60	TC
DIODE 5340200260	99-070026	MR9701	TC
DIODE 5340200290	99-070014	1N4006	TC
DIODES5A2	99-130548	66X0079-001	WG
DOUBLER HV	99-120140	28-00043-01	EH
DRIVE BELT USED ON 93-6001	99-010102	42B41045C01	MO
EDGE CARD HOUSING 12 POS	99-010078	15 10390A06	MD
EHT FLYBACK TRANSFORMER	99-120377	24-180001-02	EH
EHT SUPPLY ASSY	99-120123	02-160007-01	EH
EHT SUPPLY KIT	99-120125	05-160002-01	EH
EHT SUPPLY PANEL ASSY	99-120051	02-160002-01	EH
EIODE	99-150579	TVSRM25	MA
FERRITE BEAD	99-130558	2A0623-005	WG
FILTER COIL	99-160451	?	SN
FILTER LINE	99-150010	TLP6506	MA
FILTER LINE	99-120280	A39475-J	EH
FILTER LINE	99-160455	L324	SA
FILTER LINE	99-160455	?	SN
FILTER POWER	99-150592	TLP6505-2P	MA
FLYBACK EHT TRANSFORMER	99-120377	24-180001-02	EH
FLYBACK HI VLTG TRANSFORMER	99-120200	T900	EH
FLYBACK TRANSFORMER	99-120211	A29951-A	EH
FLYBACK TRANSFORMER	99-150594	TLF6041F	MA
FLYBACK TRANSFORMER	99-070054	589517017	TC
FLYBACK TRANSFORMER	99-130455	53X0480-001	WG
FLYBACK TRANSFORMER	99-130516	53X0487-001	WG
FLYBACK TRANSFORMER TFB 1006AS	99-070020	589517015	TC
FLYBACK TRANSFORMER 589517015	99-070020	TFB-1006AS	TC
FLYBACK TRNSFORMER	99-160508	F5039	SN
FOCUS CONTROL	99-130333	204X3901-125	WG
FOCUS WIRE	99-130541	38A5688-000	WG
FOCUS WIRE	99-130538	38A5689-000	WG
FOCUS/GL LEAD ASSY	99-130491	38A5703-000	WG
FUSE	99-160507	E5099	SA
FUSE	99-160506	E5082B	SA
FUSE .7 AMP SLD BLD 3AG	99-130142	16X0175-001	WG

ATARI, INC.
 CDIN-OPERATED DIVISION
 CUSTOMER SERVICE

***** MONITOR CROSS REFERENCE LISTING *****
 SORT BY DESCRIPTION

PART DESCRIPTION	PART NUMBER	MFR. MODEL NO.	MFR
FUSE BLOCK	99-010171	9 254560A01	MO
FUSE BUS 1 AMP 250V W/LEADS	99-04020	1-028-0240	BL
FUSE CLIPS	99-130551	16X0182-001	WG
FUSE HOLDER	99-130140	16X0171-001	WG
FUSE UL/CSA 3A-125	99-130220	204X7120-062	WG
FUSE 0.8A 250V	99-010172	65 138269	MO
FUSE 1 AMP	99-120201	27-000014-09	EH
FUSE 1.2 AMP	99-120237	QMF66U1-1R2S	EH
FUSE 1.25 AMP	99-120426	QMF53U1-1R2S	EH
FUSE 1.5 AMP SLO BLO 3AG	99-130141	16X0176-001	WG
FUSE 1.5A SLOW BLOW	99-150598	XBA1F15NU100	MA
FUSE 1A SLO-BLO	99-130419	16X0183-001	WG
FUSE 1A SLOW	99-150480	XBA1C10NS5	MA
FUSE 2 AMP RADIAL LEAD	99-120121	27-000034-01	EH
FUSE 2 AMP 250V	99-120354	14-000014-19	EH
FUSE 2A NB	99-130420	16X0181-001	WG
FUSE 3 AMP	99-120238	QMF66U1-3R0S	EH
FUSE 3A SLOW	99-150479	XBA1E30NS5	MA
FUSE 3ANB	99-130552	16X0184-001	WG
FUSE 4.0A SLOW BLOW	99-150597	XBA1F40NU100	MA
FUSE 5 AMP SLOW BLOW	99-120173	27-000005-07	EH
FUSE 5A SLO BLO	99-130418	16X0180-001	WG
FUSE 75A 250V SLOW BLOW	99-120151	27-000005-23	EH
GAS DISCHARGE GAP	99-070085	599030001	TC
GROMMET RUBBER	99-120399	32-000044-04	EH
GROUND LEAD ASSY	99-130492	38A5709-000	WG
GROUND STRAP ASSY	99-120437	34-000574-02	EH
GROUND STRAP ASSY	99-120190	34-000697-01	EH
GROUND STRAP SPRING	99-120191	35-003560-01	EH
GROUND WIRE ASSY	99-130537	38A5681-000	WG
GROUNDING SPRING	99-130458	28X0793-001	WG
GT PIN	99-160505	E4307	SA
HARNESS ASSY	99-120052	02-160004-01	EH
HARNESS ASSY P100	99-120462	02-160033-01	EH
HARNESS ASSY 02-160033-01	99-120462	P100	EH
HARNESS CRT ASSY	99-120459	02-160015-01	EH
HARNESS CRT ASSY 15"	99-120463	02-160024-01	EH
HARNESS X CHANNEL	99-120460	01-160031-01	EH
HARNESS Y CHANNEL	99-120461	02-160032-01	EH
HEAD MAGNETIC TAPE	99-010103	59C45270G01	MO
HEAT SINK	99-010126	26 66745A05	MO
HEATER CHOKE	99-120416	C30445-A	EH
HEATSINK	99-120056	02-160006-01	EH
HEATSINK	99-120160	35-003678-01	EH
HEATSINK	99-120113	35-003702-01	EH
HEATSINK	99-120361	35-004017-02	EH

ATARI, INC.
 CDIN-OPERATED DIVISION
 CUSTOMER SERVICE

***** MONITOR CROSS REFERENCE LISTING *****
 SORT BY DESCRIPTION

PART DESCRIPTION	PART NUMBER	MFR. MODEL NO.	MFR
HEATSINK	99-150477	TUC76642-2	MA
HEATSINK	99-150476	TUC76650	MA
HEATSINK	99-150475	TUC76649-1	MA
HEATSINK	99-130563	25X2980-001	WG
HEATSINK EXTRUSION	99-120174	30-100120-04	EH
HEATSINK EXTRUSION	99-120059	30-100120-03	EH
HEATSINK WRAP EHT	99-120383	35-004018-01	EH
HI. VLTG. FLYBACK TRANSFORMER	99-120200	T900	EH
HIGH VLTG CAGE ASSY	99-120378	50-001421-01	EH
HIGH VLTG PCB COMPLETE P316	99-130490	38A5683-000	WG
HIGH VLTG UNIT ASY	99-130347	297X2000-072	WG
HIGH VOLT CONNECTOR AND LEAD	99-120382	34-000717-01	EH
HIGH VOLT TRANSFORMER	99-120139	24-180001-01	EH
HIGH VOLTAGE ASSY	99-130465	38A5583-000	WG
HIGH VOLTAGE PCB COMPLETE	99-130490	P316	WG
HIGH VOLTAGE PCB COMPLETE	99-130473	38A5696-000	WG
HOLDER FUSE	99-150557	TJC6319	MA
HOLDER FUSE	99-010073	9-66238A02	MO
HOLDER FUSE A	99-150556	TJC6320	MA
HOOK GROUND STRAP	99-120439	35-003053-02	EH
HOOK GROUND STRAP	99-120192	35-003690-01	EH
HORIZ DRIVER	99-130049	52X0126-001	WG
HORIZON. COIL	99-010158	24-25448A01	MO
HORIZONTAL AMPLITUDE	99-150590	TLH15757	MA
HORIZONTAL OUTPUT NPN	99-04002	1-015-1204	BL
HOUSING HV	99-130501	25X3002-001	WG
HV ASSY LEAD RECEPT	99-130143	13X1201-001	WG
HV RECTIFIER 8617C	99-04021	1-021-0450	BL
HV WIRE 20KV	99-130504	360X1230-000	WG
HV WIRE 5KV	99-130505	360X1210-222	WG
HV/FLYBACK TRANSFORMER	99-120200	T900	EH
IC	99-120285	HA11244	EH
IC	99-070052	5310500280	TC
IC CLOCK TI NE555P	99-130510	86X0134-001	WG
IC CLOCK TI 86X0134-001	99-130510	NE555P	WG
IC H.DSC-V-OSC	99-150561	TVSEN11235	MA
IC HORIZONTAL PROCESSOR MC1391	99-04015	1-025-0114	BL
IC LA1464	99-160007	Q7606	SA
IC LA5110	99-160008	Q7607	SA
IC LA5110	99-160008	Q7607	SA
IC LA5112N	99-160512	Q7186A	SN
IC MC723	99-04017	1-025-0116	BL
IC MC7404	99-120038	14-002033-01	EH
IC MC7442	99-120039	14-002034-01	EH
IC Q7186A	99-160512	LA5112N	SN
IC Q7606	99-160007	LA1464	SA

A T A R I , I N C .
C O I N - O P E R A T E D D I V I S I O N
C U S T O M E R S E R V I C E

***** MONITOR CROSS REFERENCE LISTING *****
SORT BY DESCRIPTION

PART DESCRIPTION	PART NUMBER	MFR. MODEL NO.	MFR
IC 07607	99-160008	LA5110	SA
IC REGULATOR 5V MC7805	99-120037	14-002032-01	EH
IC SYNC	99-150001	AN5430	MA
IC T2Z	99-010090	51 10707A01	MO
IC T3F	99-010014	51 10732A01	MO
IC VERTICAL OUTPUT	99-150002	AN5512	MA
IC 51 10707A01	99-010090	T2Z	MO
IC 51 10732A01	99-010014	T3F	MO
INDUCTOR FIXED 11.5UH	99-130454	9A2796-001	WG
INDUCTOR 1.5UH	99-130453	9A2797-001	WG
INSULATOR	99-120162	39-000068-09	EH
INSULATOR	99-120063	39-000068-13	EH
INSULATOR	99-010170	14 25230A01	MO
INSULATOR	99-010144	14 543810	MO
INSULATOR	99-010144	14 562353	MO
INSULATOR	99-010081	14 25230A02	MO
ISOLATOR GROUND STRAP	99-120193	39-001190-01	EH
KEY PLUG	99-130481	30X0757-001	WG
KNOB GREEN CONTRAST	99-130463	AOA1241-001	WG
KNOB GREY BRIGHTNESS	99-130464	10A1241-002	WG
LAMP NEON GE 5 AMP	99-130424	7A0334-001	WG
LAMP NEON NE-2	99-120122	27-000011-05	EH
LAMP NEON NE2H	99-120105	27-000011-10	EH
LAMP 1436	99-010083	65 139451	MO
LAMP 65 139451	99-010083	1436	MO
LATERAL PURITY	99-130344	205X9800-256	WG
LATERAL PURITY	99-130478	2A0684-001	WG
LEAD ASSY	99-130500	38A5702-000	WG
LEAD PURPLE ASSY	99-130560	38A5674-000	WG
LEAD SG ASSY	99-130539	38A5690-000	WG
LEVER SWITCH	99-160504	E2869	SN
LINEARITY COIL	99-120277	A39835	EH
LINEARITY COIL	99-150454	TLH6623P	MA
LINEARITY COIL	99-150589	TLH6658P	MA
LINEARITY COIL	99-070002	589514016	TC
LOCKWASHER #4	99-120398	33-000024-05	EH
LUG TERMINAL	99-120436	34-000033-04	EH
MAGNET CONVERG & PURITY	99-160004	D4002X	SA
MAGNET CONVERGENCE & PURITY	99-160004	D4002X	SA
MAGNET CONVERGENCE AND PURITY	99-160459	D4501B	SN
MAGNET GREEN	99-130461	74X0004-014	WG
MAGNET PC	99-120212	A75034-B	EH
MAGNET PURITY	99-150004	TLC2024-2S	MA
MAGNET RED	99-130460	74X0004-001	WG
MAGNET YELLOW	99-130462	74X0004-018	WG
MANUAL 12" B/W RASTER	TM-140	92-041 DT1	ZE

A T A R I , I N C .
C O I N - O P E R A T E D D I V I S I O N
C U S T O M E R S E R V I C E

***** MONITOR CROSS REFERENCE LISTING *****
SORT BY DESCRIPTION

PART DESCRIPTION	PART NUMBER	MFR. MODEL NO.	MFR
MANUAL 13" COLOR RASTER	TM-187	G07902&06	WG
MANUAL 13" COLOR XY	TM-222	A200003-01	AM
MANUAL 14" COLOR	TM-157	92-048	SA
MANUAL 14" COLOR RASTER	TM-153	92-046	MA
MANUAL 15" B/W XY QS	TM-151	92-045 G05 802	WG
MANUAL 19" B/W RASTER	TM-124	92-033 M5000/	MO
MANUAL 19" B/W RASTER	TM-125	92-033 19V1001	WG
MANUAL 19" B/W XY	TM-164	92-050 19V2000	WG
MANUAL 19" B/W XY QS	TM-151	92-047 G05 805	WG
MANUAL 19" CLR RASTER	TM-205	139003-1205	SA
MANUAL 19" COLOR RASTER	TM-210	139003-1006	DI
MANUAL 19" COLOR RASTER	TM-199	A200001-01	AM
MANUAL 19" COLOR RASTER	TM-183	92-053 19K6101	WG
MANUAL 19" COLOR RASTER	TM-168	92-051 K4603 463	WG
MANUAL 19" COLOR RASTER	TM-201	92-055 19K4625	WG
MANUAL 19" COLOR RASTER	TM-187	92-049 G07904&07	WG
MANUAL 19" COLOR RASTER	TM-220	139003-1004	MA
MANUAL 19" COLOR RASTER	TM-197	139003-1204	MA
MANUAL 19" COLOR RGB	TM-160	92-049 G0719	WG
MANUAL 19" COLOR XY	TM-239	A200009-01	AM
MANUAL 19" COLOR XY	TM-194	A200000-01	AM
MANUAL 20" B/W QS	TM-146	92-042 G05	WG
MANUAL 23" B/W RASTER	TM-124	92-030 M7000	MO
MANUAL 23" B/W RASTER	TM-125	92-040 22V1001	WG
MANUAL 25" COLOR	TM-163	92-013G02	WG
MANUAL 25" COLOR XY	TM-239	A200011-01	AM
MICA SHEET 3 PWR TRANS	99-150559	MECNO13A	MA
MONITOR PCB	99-04027	1-029-0424B	BL
MONITOR PCB KT 364LM	99-010001	1Y25017A01	MO
NECK PCB	99-130524	38A5676-100	WG
NECK PCB P315	99-130479	38A5676-000	WG
NECK PCB 38A5676-000	99-130479	P315	WG
NPN ERROR REGULATOR AMPLIFIER	99-04012	1-015-1172	BL
NPN HORIZONTAL DRIVE MJE340	99-04014	78-86-0340	BL
NUT #440	99-120357	33-000030-07	EH
NUT #6	99-120358	33-000440-01	EH
NUT HEX 4-40	99-120397	33-000009-01	EH
NUT RETAINING	99-120432	33-000494-01	EH
OSCILLATOR VERTICAL MPSA65	99-04009	1-015-1186	BL
PANEL LEFT ASSY	99-130470	38A5694-000	WG
PCB	99-160484	E98089	SN
PCB AMP DEFLECTION	99-120362	02-160026-01	EH
PCB ASSY	99-010082	1Y25016A89	MO
PCB ASSY	99-130148	38A5358-000	WG
PCB ASY M7000 MONITOR MAIN	99-010109	M7000	MO
PCB CHROMATIC INPUT	99-120043	02-230098-01	EH

256

PAGE

ATARI, INC.
COIN-OPERATED DIVISION
CUSTOMER SERVICE

***** MONITOR CROSS REFERENCE LISTING *****
SORT BY DESCRIPTION

PART DESCRIPTION	PART NUMBER	MFR. MODEL NO.	MFR
PCB CLIP SUPPORT	99-120364	33-000629-02	EH
PCB CONTROL	99-160001	U885383	SA
PCB CONTROL ASSY	99-160001	U885383	SA
PCB CRT	99-160003	U885406	SA
PCB CRT	99-160003	U885406	SA
PCB CRT	99-150723	TNP11998ZA	MA
PCB CRT SOCKET	99-120402	SU-3032A	EH
PCB CRT SOCKET	99-120207	SU-3031-A	EH
PCB CRT 6 WIRE REF 99-070078	99-070050	485TM60003A	TC
PCB CRT 7 WIRE REF 99-070050	99-070078	485TM60003A	TC
PCB DEFLECTION	99-120045	02-230009-08	EH
PCB DEFLECTION	99-150725	TNP66356	MA
PCB DEFLECTION AMP	99-120055	02-160006-01	EH
PCB DEFLECTION AMP (99-120055)	99-120114	50-001412-01	EH
PCB DEFLECTION ASSY	99-130466	P299	WG
PCB DEFLECTION P314	99-130474	38A5673-000	WG
PCB DZB	99-160473	E98088	SN
PCB EHT ASSY	99-120378	50-001421-01	EH
PCB EHT CAGE	99-120378	50-001421-01	EH
PCB EHT SUPPLY	99-120124	02-160008-01	EH
PCB GEOMETRY	99-120041	02-230010-05	EH
PCB GEOMETRY MFG #02-230010-05	99-120041	15-500073-01	EH
PCB H.V.	99-130566	P916	WG
PCB HIGH VLTG P316	99-130490	38A5683-000	WG
PCB HV ASSY P916	99-130566	38A5685-100	WG
PCB INTERFACE	99-130604	P298	WG
PCB INTERFACE ASSY	99-120209	02-170001-01	EH
PCB INTERFACE ASSY	99-120209	02-170001-01	EH
PCB MAIN	99-04036	6-002-0647	BL
PCB MAIN	99-150006	TNP71365-9F	MA
PCB MAIN	99-160002	U885401	SA
PCB MAIN	99-120206	SU-1132A	EH
PCB MAIN	99-150722	TNP61869LC	MA
PCB MAIN	99-070003	22153036	TC
PCB MAIN ASSY	99-120401	SU-1133A	EH
PCB MOUNT	99-120365	31-620818-14	EH
PCB NECK ASSY	99-130601	38A5584-000	WG
PCB NECK P315	99-130479	38A5676-000	WG
PCB NECK 38A5676-100	99-130524	P915	WG
PCB REGULATOR	99-120164	02-160011-01	EH
PCB REGULATOR	99-120205	02-160011-01	EH
PCB SHIELD	99-150555	TK2768904	MA
PCB TTL INTERFACE INDY 8	99-120048	02-230102-01	EH
PCB TTL INTERFACE TANK 8	99-120049	02-230099-01	EH
PCB VIDEO	99-150724	TNP45131ZA	MA
PCB VIDEO 8000/SOCKET PCB	99-120040	15-500074-01	EH

A T A R I , I N C .
C O I N - O P E R A T E D D I V I S I O N
C U S T O M E R S E R V I C E

***** MONITOR CROSS REFERENCE LISTING *****
SORT BY DESCRIPTION

PART DESCRIPTION	PART NUMBER	MFR. MODEL NO.	MFR
PCB 2 TV PCB	99-070044	22453035	TC
PCB 2.5 VOLT	99-070044	22453035	TC
PCB 3, CRT PCB TM-600	99-070043	22365040	TC
PEAKING COIL	99-150587	TLT82-106	MA
PIN FEMALE	99-130544	30X0768-001	WG
PIN MALE	99-130503	30X0474B-001	WG
PIN RADIO	99-120359	34-000490-01	EH
PLUG ASSY	99-070068	PE19-1574	TC
PLUG ASSY	99-070070	PE-191569	TC
PLUG CONTACT	99-010161	39 10184A84	MO
PLUG CONTACT	99-010162	39 10184A64	MO
PLUG CONTACT	99-010160	39 10184A67	MO
PLUG CONTACT	99-010163	39 10184A72	MO
PLUG MTG	99-130482	25X2998-001	WG
POSISTOR	99-120253	A75414	EH
POSISTOR	99-150201	ERPF5BOM050F	MA
POSISTOR E1782P	99-160201	PTH451C05	SN
POSISTOR PTH451C05	99-160201	E1782P	SN
POT	99-010137	18 25212A12	MO
POT	99-010136	18 68222A35	MO
POT	99-010139	18 25245A04	MO
POT	99-150733	EVLS3MA00B13	MA
POT	99-010136	18 25212A10	MO
POT	99-010139	18 66401A44	MO
POT	99-010138	18 68222A36	MO
POT	99-010137	18 68222A37	MO
POT	99-010138	18 252212A11	MO
POT	99-010076	18 25218A10	MO
POT	99-010135	18-68222A34	MO
POT	99-010135	18-25212A09	MO
POT	99-010076	18-67B58A12	MO
POT B 10K OHMS	99-160509	G0106	SN
POT BRIGHTNESS 200K OHM	99-130039	40X0585-092	WG
POT B10K OHMS	99-160511	G1213XDM	SN
POT B3K OHMS	99-160510	G0560XXB	SN
POT CONTRAST 250 OHMS	99-130038	40X0585-090	WG
POT FOCUS	99-150806	EVMPRGS28219	MA
POT FOCUS 2M OHM	99-130043	40X0585-094	WG
POT HORIZ/VERT 25K OHM	99-130037	40X0585-091	WG
POT LIN 1 & 2,500K OHM	99-130042	40X0592-004	WG
POT REG ADJ 2.5K OHM	99-130041	40X0585-083	WG
POT VIDEO OUT .5K OHM	99-130040	40X0592-008	WG
POT 1K OHM	99-150407	EVTVOUAA00B13	MA
POT 1K OHM	99-070030	55142101	TC
POT 1K OHMS	99-070040	55147102	TC
POT 1M OHM VR 15CFR10B	99-160405	G1096XXH	SN

A T A R I , I N C .
C O I N - O P E R A T E D D I V I S I O N
C U S T O M E R S E R V I C E

***** MONITOR CROSS REFERENCE LISTING *****
SORT BY DESCRIPTION

PART DESCRIPTION	PART NUMBER	MFR. MODEL NO.	MFR
POT 10K OHM	99-150405	EVTVOUJAOOB14	MA
POT 10K OHM BLU/GREEN	99-150401	EVTS3MAO0B14	MA
POT 10K OHM BRIGHT	99-150726	EVLS3MAO0B14	MA
POT 10K OHM VR 8C1FR5B	99-160403	G0554XXT	SN
POT 100 OHM VSIZE ADJ	99-150803	EVTV7UOOMB12	MA
POT 100K OHM	99-150403	EVH4TAS20C15	MA
POT 100K OHMS	99-070031	55142104	TC
POT 2K OHM	99-150408	EVTVOUJAOOB23	MA
POT 2MEG OHM	99-070037	55142205	TC
POT 20K OHM VR BLFRB	99-160407	G0167	SN
POT 200 OHM	99-150406	EVTVO7A00B22	MA
POT 200 OHM VR 8C1FR5B	99-160404	G0555XXT	SN
POT 200K OHM	99-150404	EVTVO7A00B25	MA
POT 200K OHM VR 8C1FR5B	99-160401	G0557XXT	SN
POT 200K OHMS	99-070066	55312400B	TC
POT 200K OHMS	99-070032	55145224	TC
POT 25K OHM	99-130507	40X0590-014	WG
POT 250K OHM	99-070036	55142254	TC
POT 3K OHM VR 8C1FR5B	99-160400	G0553XXT	SN
POT 30 K OHMS	99-070034	55142303	TC
POT 30K OHM	99-070064	OK553303005B	TC
POT 300 OHM BLU/RED DR	99-150400	EVTS3MAO0B32	MA
POT 300 OHM DR.ADJ VR	99-150800	EVLS3MAO0B32	MA
POT 4 MEG OHM	99-150402	EVME6V10KB46	MA
POT 4.7K OHMS	99-070038	55147472	TC
POT 4.7K OHMS	99-070065	55347200B	TC
POT 4.7K OHMS	99-070035	55142472	TC
POT 4.7K OHMS	99-070033	55145472	TC
POT 4M OHM SCREEN ADJ	99-150801	EVME6U10KB46	MA
POT 5K OHM ADJ VR	99-150599	EVLS3MAO0B53	MA
POT 5K OHM H HOLD	99-150604	EVL13MAO0B53	MA
POT 5K OHM V HOLD VR	99-150602	EVLVONOOMB53	MA
POT 5K OHM VR BLZFRB	99-160406	G0096	SN
POT 50K OHM VR 8C1FR5B	99-160402	G0558XX5	SN
POT 500 OHM +B ADJ	99-150605	EVLVONA00B52	MA
POT 500K OHM VR 8CFRB	99-160408	G0353XXH	SN
POTENTIOMETER FOCUS 10K	99-120138	41-000221-72	EH
POTENTIOMETER VERT 668 OHM	99-120046	41-000228-33	EH
POTENTIOMETER 1K	99-120102	41-000331-02	EH
POTENTIOMETER 10 MEG	99-120375	41-000227-72	EH
POTENTIOMETER 10K	99-120219	QVZ3224-014	EH
POTENTIOMETER 100K	99-120330	41-000299-19	EH
POTENTIOMETER 2 MEG	99-120242	QVZ3242-026	EH
POTENTIOMETER 2K	99-120103	41-000331-03	EH
POTENTIOMETER 2K	99-120258	QVZ3230-023	EH
POTENTIOMETER 200	99-120239	QVZ3224-022	EH

A T A R I , I N C .
C O I N - O P E R A T E D D I V I S I O N
C U S T O M E R S E R V I C E

***** MONITOR CROSS REFERENCE LISTING *****
SORT BY DESCRIPTION

PART DESCRIPTION	PART NUMBER	MFR	MODEL NO.	MFR
POTENTIOMETER 200 OHM	99-120220	QV23230	022	EH
POTENTIOMETER 4.7K	99-120137	41-000265	12	EH
POTENTIOMETER 5K	99-120240	QV23224	053	EH
POTENTIOMETER 500	99-120100	41-000299	17	EH
POTENTIOMETER 500K	99-120101	41-000299	22	EH
POTENTIOMETER 500K OHMS	99-120180	41-000298	22	EH
POWER AUDIO PCB KT365LM	99-010002	1Y25017A02		MO
POWER CABLE ASY	99-130475	38A5697	000	WG
POWER FILTER	99-150592	TLP6505	2P	MA
POWER REGULATOR	99-070046	5310400030		TC
POWER TRANSFORMER TPW 600	99-070019	589519021		TC
PURITY SHIELD ASSY	99-120403	07-220083	03	EH
PURITY SHIELD DEGAUS ASY	99-130343	38A5554	000	WG
PURITY SHIELD DEGAUS ASY	99-130471	38A5695	000	WG
PURITY SHIELD RIV	99-130484	38A5699	000	WG
RADIATOR AFR	99-160544	1150258		SN
RADIATOR HMV	99-160545	1150428		SN
RECEPTACLE 12 PIN	99-120391	34-000677	32	EH
RECEPTACLE 12 PIN CONNECTOR	99-120392	40-128215	31	EH
RECEPTICAL	99-070069	PE19-1575		TC
RECEPTICAL ASY	99-070071	PE-19-1570		TC
RECTIFIER	99-120017	28-000022	27	EH
RECTIFIER	99-070048	5340200541		TC
RECTIFIER	99-120018	28-000022	36	EH
RECTIFIER	99-120019	28-000022	25	EH
RECTIFIER	99-010012	48-191A05		MO
RECTIFIER	99-010012	48-191A07		MO
RECTIFIER	99-010010	48-191A10		MO
RECTIFIER	99-010119	48-191A02		MO
RECTIFIER	99-070048	5340200541		TC
RECTIFIER BRIDGE	99-120167	28-000046	02	EH
RECTIFIER EHT	99-120379	28-000042	01	EH
RECTIFIER HV	99-070057	5340400120		TC
RECTIFIER HV H1809	99-130449	66X0067	02	WG
RECTIFIER POWER 500V 1N444B	99-130116	66X0023	009	WG
RECTIFIER POWER 500V 66X0023-009	99-130116	1N444B		WG
RECTIFIER VARO H1802	99-130117	66X0067	001	WG
RECTIFIER VG2X	99-120020	28-000022	29	EH
RECTIFIER 1 AMP 600V	99-120446	28-000022	27	EH
RECTIFIER 600V RM 20V	99-130177	201X3130	109	WG
RECTIFIER 91A02	99-010175	48-191A02		MO
RECTIFIER 91A05	99-010178	48-191A05		MO
RECTIFIER 66X0067-02	99-130449	H1809		WG
REFERENCE AMPLIFIER	99-150483	25C1573PQ		MA
REGULATOR B+	99-150482	25C1629M		MA
REGULATOR DRIVE MPSU57	99-04011	1-015-1201		BL

260

ATARI, INC.
 COIN-OPERATED DIVISION
 CUSTOMER SERVICE

***** MONITOR CROSS REFERENCE LISTING *****
 SORT BY DESCRIPTION

PART DESCRIPTION	PART NUMBER	MFR. MODEL NO.	MFR
REGULATOR NPN	99-04001	78-85-Q410	BL
REGULATOR 2N6050	99-120172	14-002076-01	EH
REGULATOR 2N6057	99-120171	14-002075-01	EH
RESISOTR 120K OHM 5% 1/4W	99-150639	ERD25TJ124T	MA
RESISTOR	99-120428	A46600-A	EH
RESISTOR	99-150608	ERD25TJ5625	MA
RESISTOR	99-150607	ERD25TJ2215	MA
RESISTOR	99-150610	ERD5TJ103S	MA
RESISTOR	99-010168	18-25245A21	MO
RESISTOR	99-150734	ERQ25TJ561S	MA
RESISTOR	99-160518	RFACJ681	SA
RESISTOR	99-160554	RFACG221	SA
RESISTOR	99-160552	RFACG113	SA
RESISTOR	99-160514	RFACJ562	SA
RESISTOR	99-160529	RNBPJ102	SA
RESISTOR	99-160547	RFAAJ100	SA
RESISTOR	99-160476	RCBPK102	SA
RESISTOR	99-160483	RR1FJ562	SA
RESISTOR	99-160478	RFACJ121	SA
RESISTOR	99-16054	RY6FK4R7	SA
RESISTOR	99-160520	RFACJ683	SA
RESISTOR	99-070077	RX05P220J	TC
RESISTOR	99-160565	RFACJ182	SA
RESISTOR	99-160536	RR2FJ123	SA
RESISTOR	99-160516	RFACJ564	SA
RESISTOR	99-160517	RFACJ680	SA
RESISTOR	99-160561	RFACJ124	SA
RESISTOR	99-160549	RFAAJ330	SA
RESISTOR	99-160550	RFAAJ331	SA
RESISTOR	99-160519	RFACJ682	SA
RESISTOR	99-160563	RFACJ153	SA
RESISTOR	99-160521	RFACJ821	SA
RESISTOR	99-160524	RFBPJ103	SA
RESISTOR	99-160555	RFACJ101	SA
RESISTOR	99-160515	RFACJ563	SA
RESISTOR	99-160527	RNABF102	SA
RESISTOR	99-160528	RNABF512	SA
RESISTOR	99-160540	RY6FK3R9	SA
RESISTOR	99-160560	RFACJ123	SA
RESISTOR	99-160559	RFACJ105	SA
RESISTOR	99-160562	RFACJ151	SA
RESISTOR	99-160480	RFACJ152	SA
RESISTOR	99-160534	RR1FJ931	SA
RESISTOR	99-160567	RFACJ224	SA
RESISTOR	99-160568	RFACJ271	SA
RESISTOR	99-160537	RR3FJ3R9	SA

261

ATARI, INC.
COIN-OPERATED DIVISION
CUSTOMER SERVICE

***** MONITOR CROSS REFERENCE LISTING *****
SORT BY DESCRIPTION

PART DESCRIPTION	PART NUMBER	MFR. MODEL NO.	MFR
RESISTOR	99-160538	RR3FJ152	SA
RESISTOR	99-160539	RYEKJ221	SA
RESISTOR	99-160551	RFACG153	SA
RESISTOR	99-160477	RCBPK104	SA
RESISTOR	99-160542	RY7KJ471	SA
RESISTOR	99-160479	RFACJ122	SA
RESISTOR	99-160523	RFBPJ102	SA
RESISTOR	99-160481	RFACJ221	SA
RESISTOR	99-160546	RFAAJ1R0	SA
RESISTOR	99-160526	RFBPJ393	SA
RESISTOR	99-160548	RFAAJ102	SA
RESISTOR	99-160571	RFACJ332	SA
RESISTOR	99-160572	RFAXJ333	SA
RESISTOR	99-160530	RN1PJ3R3	SA
RESISTOR	99-160531	RN2PJ331	SA
RESISTOR	99-160553	RFACG183	SA
RESISTOR	99-160533	RR1FJ183	SA
RESISTOR	99-160566	RFACJ223	SA
RESISTOR	99-160556	RFACJ102	SA
RESISTOR	99-160525	RFBPJ180	SA
RESISTOR	99-160569RF	ACJ273	SA
RESISTOR	99-160532	RR1FJ102	SA
RESISTOR	99-160482	RR1FJR39	SA
RESISTOR	99-160573	RFACJ392	SA
RESISTOR	99-160574	RFACJ472	SA
RESISTOR	99-160558	RFACJ104	SA
RESISTOR	99-160575	RFACJ561	SA
RESISTOR	99-160564	RFACJ181	SA
RESISTOR	99-160557	RFACJ103	SA
RESISTOR	99-160543	RY7KK3R0	SA
RESISTOR	99-160535	RH1FJ882	SA
RESISTOR	99-160522	RFBPJ101	SA
RESISTOR .27 1/2W 10%	99-130579	340X3279-944	WG
RESISTOR FOCUS	99-120216	C30289	EH
RESISTOR FOCUS CONTROL 2	99-010166	18 25218A14	MO
RESISTOR VOLTAGE DEPENDENT	99-130430	43X0468-001	WG
RESISTOR WIREWOUND .27 1W 5%	99-120093	42-000075-01	EH
RESISTOR WIREWOUND 15 OHM 2W 5%	99-120198	40-621505-04	EH
RESISTOR WIREWOUND 33 4W 10%	99-120312	42-113301-03	EH
RESISTOR WIREWOUND 4 10W 10%	99-120318	42-144071-03	EH
RESISTOR WW 0.47 OHM 10% 3W	99-150212	ERF3ATKR47	MA
RESISTOR WW 150 OHM 10% 10W	99-150214	ERF10HM151	MA
RESISTOR WW 5.6 OHM 10% 5W	99-150213	ERSATK5R6	MA
RESISTOR 0.27 OHM 10% 1/2W	99-150208	ERW12PKR27	MA
RESISTOR 0.47 OHM 10% 1/2W	99-150655	ERO12HKR47	MA
RESISTOR 1 OHM 5% 1/2W	99-150518	ERD12FJ1R0	MA

ATARI, INC.
 COIN-OPERATED DIVISION
 CUSTOMER SERVICE

***** MONITOR CROSS REFERENCE LISTING *****
 SORT BY DESCRIPTION

PART DESCRIPTION	PART NUMBER	MFR. MODEL NO.	MFR.
RESISTOR 1 OHM 5% 1/2W	99-150209	ERQ12HJ1R0	MA
RESISTOR 1 OHM 5% 2W	99-150211	ERQ2CJA1R0	MA
RESISTOR 1.0 OHM 1W	99-160215	RF1FJ1R0	SA
RESISTOR 1.0K 1/2W 5%	99-120332	40-221025-31	EH
RESISTOR 1.0K 1/4W 5%	99-120335	40-121015-31	EH
RESISTOR 1.1K 1/4W 5%	99-120082	40-121125-11	EH
RESISTOR 1.2 MEG 1/4W 5%	99-120323	40-121225-31	EH
RESISTOR 1.2 OHM 10% 7W	99-150663	ERF7ZK1R2	MA
RESISTOR 1.2 OHM 5% 3W	99-150735	ERG3ANJ122	MA
RESISTOR 1.2K OHM 5% 1/4W	99-150516	ERD25TJ122T	MA
RESISTOR 1.2K OHM 5% 1W	99-150207	ERG3CJ122	MA
RESISTOR 1.2K OHM 5% 3W	99-150647	ERF3ANJ122	MA
RESISTOR 1.2K OHMS 1/8W 5%	99-130253	203X6000-998	WG
RESISTOR 1.2K 1/2W 5%	99-130596	340X3122-934	WG
RESISTOR 1.2K 1/4W 2%	99-130587	340X2122-924	WG
RESISTOR 1.2K 1/4W 5%	99-120374	40-121225-11	EH
RESISTOR 1.2K 1/8W 5%	99-130251	203X6500-666	WG
RESISTOR 1.2K 1W 5%	99-120136	40-4212225-01	EH
RESISTOR 1.3K 1/4W 2%	99-130589	340X2132-924	WG
RESISTOR 1.5 1W 5%	99-120203	40-521595-04	EH
RESISTOR 1.5 1W 5%	99-120319	40-521595-34	EH
RESISTOR 1.5K	99-130357	40X0590-017	WG
RESISTOR 1.5K LINEARITY CONTR	99-130383	40X0637-00	WG
RESISTOR 1.5K 1/2W 5%	99-130087	340X3152-934	WG
RESISTOR 1.5K 1/4W 5%	99-120081	40-121525-11	EH
RESISTOR 1.5K 1/4W 5%	99-120347	40-121525-31	EH
RESISTOR 1.5K 1W 5%	99-120095	40-421525-11	EH
RESISTOR 1.5K 1W 5%	99-120325	40-421525-31	EH
RESISTOR 1.5K 10% 5W	99-010169	17-10731A03	MD
RESISTOR 1.5K 3W 10%	99-130054	340X6152-341	WG
RESISTOR 1.5K 3W 10%	99-130054	340X6152-341	WG
RESISTOR 1.6K 1/2W 5%	99-130597	340X3162-934	WG
RESISTOR 1.6K 1/4W 2%	99-130588	340X2162-924	WG
RESISTOR 1.8 MEG OHM 5% 1/2W	99-150203	ERC122ZGK185D	MA
RESISTOR 1.8 OHM 5% 1W	99-150661	ERG1ANJ182C	MA
RESISTOR 1.8K OHM 1/4W 5%	99-150632	ERDS1TJ182T	MA
RESISTOR 1.8K OHM 5% 1/2 W	99-150507	ERD125J182	MA
RESISTOR 1.8K 5%	99-150661	ERG1ANJ182C	MA
RESISTOR 1/2W 5%	99-120372	40-224705-11	EH
RESISTOR 1K OHM 5% 1/4	99-150641	ERD25FJ102T	MA
RESISTOR 1K OHM 5% 1/4W	99-150488	ERD25TJ102T	MA
RESISTOR 1K OHM 5% 1/4W	99-150611	ERD25TJ102SS	MA
RESISTOR 1K OHM 5% 1W	99-150210	ERG1ANJ102	MA
RESISTOR 1K OHMS 1/4W 5%	99-130259	302X6100-961	WG
RESISTOR 1K 1/2W 5%	99-120130	40-221095-01	EH
RESISTOR 1K 1/2W 5%	99-120089	40-221025-11	EH

ATARI, INC.
COIN-OPERATED DIVISION
CUSTOMER SERVICE

***** MONITOR CROSS REFERENCE LISTING *****
SORT BY DESCRIPTION

PART DESCRIPTION	PART NUMBER	MFR.	MODEL NO.	MFR
RESISTOR 1K 1/2W 5%	99-130053	340X3102-931		WG
RESISTOR 1K 1/2W 5%	99-130053	340X3102-931		WG
RESISTOR 1K 1/2W 5%	99-130084	340X3102-934		WG
RESISTOR 1K 1/4W 5%	99-120079	40-121025-11		EH
RESISTOR 1K 1/4W 5%	99-120320	40-121025-31		EH
RESISTOR 10 OHM 1/2W 5%	99-150624	ERD50FJ100P		MA
RESISTOR 10 1/4W 5%	99-130591	340X2100-934		WG
RESISTOR 10% 1.0W 1K	99-130086	340X4102-843		WG
RESISTOR 10% 1.0W 150K	99-130062	340X3471-944		WG
RESISTOR 10% 1.0W 150K	99-130073	340X4154-843		WG
RESISTOR 10% 1.0W 47K	99-130114	340X4473-843		WG
RESISTOR 10% 1/2W 56K	99-130061	340X3563-944		WG
RESISTOR 10% 1/2 W 10K	99-130396	340X3100-944		WG
RESISTOR 10% 1/2 W 150	99-130058	340X3151-941		WG
RESISTOR 10% 1/2 W 22K	99-130092	340X3223-944		WG
RESISTOR 10% 1/2 W 4.7	99-130059	340X3472-941		WG
RESISTOR 10% 1/2 W 680K	99-130101	340X3684-944		WG
RESISTOR 10% 1/2 W100	99-130091	340X3101-944		WG
RESISTOR 10% 1/2W 3.9	99-130110	340X4392-834		WG
RESISTOR 10% 1/2W 1.5M	99-130113	340X3155-944		WG
RESISTOR 10% 1/2W 1.8K	99-130093	340X3182-944		WG
RESISTOR 10% 1/2W 1K	99-130367	340X3102-244		WG
RESISTOR 10% 1/2W 1K	99-130083	340X3102-944		WG
RESISTOR 10% 1/2W 10	99-130057	34X3100-941		WG
RESISTOR 10% 1/2W 10K	99-130099	340X3103-944		WG
RESISTOR 10% 1/2W 100K	99-130371	340X3104-244		WG
RESISTOR 10% 1/2W 100K	99-130080	340X3104-944		WG
RESISTOR 10% 1/2W 120	99-130067	340X3121-944		WG
RESISTOR 10% 1/2W 15K	99-130072	340X3153-944		WG
RESISTOR 10% 1/2W 150	99-130090	340X3151-944		WG
RESISTOR 10% 1/2W 150K	99-130105	340X3154-944		WG
RESISTOR 10% 1/2W 2.7K	99-130324	203X5601-313		WG
RESISTOR 10% 1/2W 220	99-130075	340X3221-944		WG
RESISTOR 10% 1/2W 27K	99-130097	340X3273-944		WG
RESISTOR 10% 1/2W 270K	99-130103	340X3274-944		WG
RESISTOR 10% 1/2W 3.3K	99-130064	340X3332-944		WG
RESISTOR 10% 1/2W 3.3M	99-130074	340X3335-944		WG
RESISTOR 10% 1/2W 330	99-130352	340X3331-944		WG
RESISTOR 10% 1/2W 330K	99-130326	203X5602-185		WG
RESISTOR 10% 1/2W 390	99-130082	340X3391-944		WG
RESISTOR 10% 1/2W 4.7K	99-130065	340X3472-944		WG
RESISTOR 10% 1/2W 4.7M	99-130112	340X3475-944		WG
RESISTOR 10% 1/2W 47K	99-130079	340X3473-944		WG
RESISTOR 10% 1/2W 470K	99-130325	203X5602-254		WG
RESISTOR 10% 1/2W 470K	99-130379	340X3437-244		WG
RESISTOR 10% 1/2W 5.6K	99-130104	340X3562-944		WG

ATARI, INC.
 COIN-OPERATED DIVISION
 CUSTOMER SERVICE

***** MONITOR CROSS REFERENCE LISTING *****
 SORT BY DESCRIPTION

PART DESCRIPTION	PART NUMBER	MFR. MODEL NO.	MFR
RESISTOR 10% 1/2W 56K	99-130056	340X3563-941	WG
RESISTOR 10% 1/2W 56K	99-130068	340X3560-944	WG
RESISTOR 10% 1/2W 560K	99-130102	340X3564-944	WG
RESISTOR 10% 1/2W 6.8K	99-130081	340X3682-944	WG
RESISTOR 10% 1/2W 8.2K	99-130100	340X3822-944	WG
RESISTOR 10% 1/2W 82	99-130085	340X3820-944	WG
RESISTOR 10% 10W 180K	99-130052	340X0181-341	WG
RESISTOR 10% 10W 3.3K	99-130332	204X1625-058	WG
RESISTOR 10% 15W 180K	99-130270	204X1725-052	WG
RESISTOR 10% 15W 210HM	99-130431	43X0401-052	WG
RESISTOR 10% 15W 3.9K	99-130365	43X0401-351	WG
RESISTOR 10% 2.0W 15K	99-130106	340X5150-843	WG
RESISTOR 10% 2W 1.0	99-130327	203X9105-117	WG
RESISTOR 10% 2W 15	99-130175	340X5150-841	WG
RESISTOR 10% 2W 2.2K	99-130394	340X5222-743	WG
RESISTOR 10% 22 OHM 2W	99-130549	34X5220-743	WG
RESISTOR 10% 3.0W 1.5K	99-130088	340X6152-743	WG
RESISTOR 10% 5W 1.5K	99-130063	340X4152-843	WG
RESISTOR 10% 5W 2.2	99-130164	203X9015-087	WG
RESISTOR 10% 5W 2.7K	99-130151	204X1450-508	WG
RESISTOR 10% 5W 470	99-130150	204X1425-021	WG
RESISTOR 10K	99-120406	QVZ3220-014	EH
RESISTOR 10K OHM 1/4W 5%	99-150620	ERD25VJ103W	MA
RESISTOR 10K OHM 2W	99-160209	RR2FJ103	SA
RESISTOR 10K OHM 5% 1/4W	99-150497	ERD25TJ103T	MA
RESISTOR 10K OHM 5% 2W	99-150205	ERG2ANJ103H	MA
RESISTOR 10K OHMS 1/8W 5%	99-130233	203X6500-886	WG
RESISTOR 10K 1.2W 5%	99-120165	40-221035-11	EH
RESISTOR 10K 1/2W 10%	99-130051	340X3103-941	WG
RESISTOR 10K 1/4W 5%	99-120080	40-121035-11	EH
RESISTOR 10K 1/4W 5%	99-120344	40-121005-31	EH
RESISTOR 10K 1/4W 5%	99-130581	340X2103-934	WG
RESISTOR 10K 2W	99-120454	QRG029J-103	EH
RESISTOR 10K 2W 5%	99-120228	QRG026J-103	EH
RESISTOR 100HM 5% 1/4W	99-150636	ERD25FJ100	MA
RESISTOR 100 OHM 1/4W 5%	99-120073	40-121015-11	EH
RESISTOR 100 OHM 1/4W 5%	99-150626	ERD255TJ101T	MA
RESISTOR 100 OHM 10% 5W	99-010164	17-135204	MO
RESISTOR 100 OHM 5% 1/2W	99-150654	ERD50FJ101P	MA
RESISTOR 100 OHMS 1/8W 5%	99-130242	203X6500-169	WG
RESISTOR 100 OHMS 5W 10%	99-010164	17-135204	MO
RESISTOR 100 1/2W 10%	99-130050	340X3101-941	WG
RESISTOR 100 1/2W 5%	99-120132	40-221015-11	EH
RESISTOR 100K BRIGHT CONTRAST	99-130378	40X0637-003	WG
RESISTOR 100K OHM 1/4W	99-160203	RNABF104	SA
RESISTOR 100K OHM 5% 1/4W	99-150638	ERO25TJ104T	MA

A T A R I , I N C .
C O M P U T E R O P E R A T E D D I V I S I O N
C U S T O M E R S E R V I C E

***** MONITOR CROSS REFERENCE LISTING *****
SORT BY DESCRIPTION

PART DESCRIPTION	PART NUMBER	MFR. MODEL NO.	MFR
RESISTOR 100K OHMS 1/BW 5%	99-130238	203X6501-126	WG
RESISTOR 100K 1/2W	99-130050	34X3101-941	WG
RESISTOR 11.8K 1/4W 1%	99-120407	QRV142F-1182	EH
RESISTOR 11.8K 1/4W 1%	99-120226	QRV141F-1182	EH
RESISTOR 11K 1/4W 5%	99-130571	340X2113-934	WG
RESISTOR 12K OHM 1/4W 5%	99-150617	ERD25TJ123S	MA
RESISTOR 12K OHM 1% 1/4W	99-150653	ERD25TJ1123T	MA
RESISTOR 12K OHM 5% 1W	99-150204	ERG1ANJ123	MA
RESISTOR 12K 1/4W 5%	99-130578	340X2123-934	WG
RESISTOR 12K 2W 5%	99-120224	QRG026J-123	EH
RESISTOR 12K 2W 5%	99-120241	QRG029J-123	EH
RESISTOR 12K 5% 1/4W	99-150687	ERD14FJ470S	MA
RESISTOR 12K 5% 4W	99-150721	ERD25TJ123T	MA
RESISTOR 12K 5% 1/4W	99-150666	ERD25FJ123T	MA
RESISTOR 120 OHM 5% 1/4	99-150490	ERD14SJ121A	MA
RESISTOR 120K OHM	99-150619	ERD25TJ124S	MA
RESISTOR 120K 1/4W 5%	99-120297	40-121245-11	EH
RESISTOR 1200 OHM 3W	99-160211	RR3FJ122	SA
RESISTOR 13.0K OHM 1% 1/4W	99-150652	ERD25AKF1302	MA
RESISTOR 14 OHM 5W 10% WIREWOUND	99-010054	17-139577	MO
RESISTOR 15 OHM 5% 1/2W	99-150524	ERQ12HJ150	MA
RESISTOR 15 OHM 5% 1/2W	99-150670	ERD50FJ15CP	MA
RESISTOR 15 OHM 5% 1W	99-150659	ERG1ANJ150	MA
RESISTOR 15 1/2W 5%	99-130577	340X3150-934	WG
RESISTOR 15 1/4W 5%	99-130592	340X2150-934	WG
RESISTOR 15K OHM 5 1/4W	99-150504	ERD25TJ153T	MA
RESISTOR 15K 1.8W 5%	99-130172	203X6500-927	WG
RESISTOR 15K 1/2W 5%	99-120301	40-121505-11	EH
RESISTOR 15K 1/4W 5%	99-130593	340X2153-934	WG
RESISTOR 15K 5% 1W	99-150669	ERG1ANJ153C	MA
RESISTOR 150 OHM 1/4W 5%	99-120074	40-121515-11	EH
RESISTOR 150 OHM 10% 10W	99-010033	17-135589	MO
RESISTOR 150K OHM 5% 1/4W	99-150505	ERD25TJ154T	MA
RESISTOR 1500 OHMS	99-010091	17-10130807	MO
RESISTOR 16K OHM 5% 1/4W	99-150512	ERD25TJ163R	MA
RESISTOR 18K OHM 1/BW 5%	99-130248	203X6500-944	WG
RESISTOR 18K OHM 5% 1/4W	99-150499	ERD25TJ183T	MA
RESISTOR 18K 1/4W 5%	99-120349	40-121805-31	EH
RESISTOR 18K 1/4W 5%	99-120341	40-121805-31	EH
RESISTOR 18K 1W 5% FILM	99-120259	QRG019J-183	EH
RESISTOR 18K 10W 5%	99-120371	42-141805-03	EH
RESISTOR 180 OHM 1/4W 5%	99-120075	40-121815-11	EH
RESISTOR 180 OHM 20W WW	99-160213	RYE8J181	SA
RESISTOR 180 OHM 5% 1/4W	99-150514	ERD25TJ181T	MA
RESISTOR 180 OHM 5% 1/4W	99-150609	ERD25VJ181W	MA
RESISTOR 180 1/8W 5%	99-130174	203X6500-468	WG

A T A R I , I N C .
C O I N - O P E R A T E D D I V I S I O N
C U S T O M E R S E R V I C E

***** MONITOR CROSS REFERENCE LISTING *****
SORT BY DESCRIPTION

PART DESCRIPTION	PART NUMBER	MFR. MODEL NO.	MFR
RESISTOR 1800HM 15W	99-130270	204X1725-052	WG
RESISTOR 2.0 OHM 20W WW	99-160214	RYEBK2R0	SA
RESISTOR 2.2 OHM 1W	99-070063	DK5160122903	TC
RESISTOR 2.2 OHMS 1/2W 5%	99-130241	203X6202-441	WG
RESISTOR 2.2K OHM 5% 1/2W	99-150656	ERD50FJ2235	MA
RESISTOR 2.2K OHM 5% 1/4	99-150522	ERD25TJ222T	MA
RESISTOR 2.2K OHM 5% 1/4	99-150494	ERS145J222A	MA
RESISTOR 2.2K OHM 5% 1/4	99-150622	ERD25FJ222T	MA
RESISTOR 2.2K OHM 5% 2W	99-150633	ERG2ANJ222H	MA
RESISTOR 2.2K OHMS 1/8W 5%	99-130235	203X6500-724	WG
RESISTOR 2.2K 1/2W 5%	99-130257	340X2222-734	WG
RESISTOR 2.2K 1/4W 5%	99-120327	40-122225-31	EH
RESISTOR 2.2K 1/4W 5%	99-120302	40-122225-11	EH
RESISTOR 2.2K 2W 5%	99-120097	40-622225-07	EH
RESISTOR 2.2K 2W 5%	99-120342	40-622225-31	EH
RESISTOR 2.2K 2W 5%	99-130089	340X5022-333	WG
RESISTOR 2.4K 1/4W 5%	99-120299	40-122425-11	EH
RESISTOR 2.7 OHM 2W 5%	99-150618	ERQ2CJ2R7	MA
RESISTOR 2.7 OHM 5% 1/4W	99-150637	ERD25FJ2R7T	MA
RESISTOR 2.7K OHM 1/2W 10%	99-150613	ERC12GK272D	MA
RESISTOR 2.7K OHM 1/4W 5%	99-150625	ERD25VJ272W	MA
RESISTOR 2.7K OHM 1/4W 560 OHM	99-150485	ERD25TJ562T	MA
RESISTOR 2.7K OHM 5% 1/4W	99-150486	ERD25TJ272T	MA
RESISTOR 2.7K OHM 5% 1/4W	99-150493	ERD145J272A	MA
RESISTOR 2.7K OHMS 1/4W 5%	99-130260	203X6104-751	WG
RESISTOR 2.7K 1/2W 10%	99-130583	340X3272-244	WG
RESISTOR 2.7K 1/2W 5%	99-130595	340X3272-934	WG
RESISTOR 2.7K 1/4W 5%	99-120298	40-122725-11	EH
RESISTOR 2.7K 1W 5%	99-120223	QRG019J-272	EH
RESISTOR 2.74K 1/4W 1% FILM	99-120259	QRV142F-274	EH
RESISTOR 2% 1/4 W 4.3K	99-130387	340X2432-924	WG
RESISTOR 2% 1/4W 6.8K	99-130386	340X2682-924	WG
RESISTOR 2K OHM	99-120411	QVP5A0B-023	EH
RESISTOR 2K OHM	99-120410	ERZ-C05ZK471	EH
RESISTOR 2K 1W 5%	99-120127	40-122025-11	EH
RESISTOR 2K 10W 5%	99-120345	42-002075-03	EH
RESISTOR 2K 7W 10%	99-120254	QRF076K-2R0	EH
RESISTOR 2W 5%	99-120156	40-621505-01	EH
RESISTOR 20% 1/2W 1K	99-130060	340X3102-954	WG
RESISTOR 20% 1/4W 100	99-130381	340X2101-851	WG
RESISTOR 200 OHM	99-120452	QVZ3234-022	EH
RESISTOR 200 OHM	99-120405	QVZ3230-002	EH
RESISTOR 200 OHM 1/4W 5%	99-150630	ERDS1TJ201T	MA
RESISTOR 200 OHM 5% 20W	99-150664	ERF20HMJ201Y	MA
RESISTOR 22 OHM 5% 1/4W	99-150501	ERD25TJ220T	MA
RESISTOR 22 OHM 5W	99-070045	55425220	TC

ATARI, INC.
COIN-OPERATED DIVISION
CUSTOMER SERVICE

***** MONITOR CROSS REFERENCE LISTING *****
SORT BY DESCRIPTION

PART DESCRIPTION	PART NUMBER	MFR. MODEL NO.	MFR
RESISTOR 22 OHM 5W 5RW 22J	99-070045	55425220	TC
RESISTOR 22 OHMS 2W 5%	99-130244	203X9100-121	WG
RESISTOR 22KOHM 2% 1/2W	99-150517	ERDA2FG2202S	MA
RESISTOR 22KOHM 5% 1/4W	99-150484	ERD25TJ223T	MA
RESISTOR 22KOHM 5% 1W	99-150216	ERG1ANJ223H	MA
RESISTOR 220 OHM 1/4W 5%	99-120076	40-122215-11	EH
RESISTOR 220 OHM 25W	99-120217	QRF25BK-221	EH
RESISTOR 220 OHM 3W	99-150202	ERG3ANJ221	MA
RESISTOR 220 OHM 5% 1/4W	99-150615	ERD25TJ101S	MA
RESISTOR 220 1/2W 10%	99-120260	QRH124K-221	EH
RESISTOR 220 1/4W 5%	99-120328	40-122215-31	EH
RESISTOR 220K OHM 1/8W 5%	99-130247	203X6501-209	WG
RESISTOR 220K OHM 5% 1/4W	99-150527	ERD25TJ224T	MA
RESISTOR 240 1/4W 5%	99-130573	340X22410934	WG
RESISTOR 250 OHM 20 W	99-070058	RX20P251J	TC
RESISTOR 27 OHM 1/4W 5%	99-130252	203X5500-471	WG
RESISTOR 27 1/4W 5%	99-120340	40-122705-31	EH
RESISTOR 27K OHMS 1/2W 5%	99-130245	203X6500-988	WG
RESISTOR 27K 1/4W 5%	99-120128	40-122735-11	EH
RESISTOR 27K 1/4W 5%	99-120322	40-122735-31	EH
RESISTOR 270	99-120252	ERZ-C05DK271	EH
RESISTOR 270 OHM 1/4W 5%	99-120077	40-122715-11	EH
RESISTOR 270 OHM 5% 1/4W	99-150509	ERD25TJ271T	MA
RESISTOR 270 OHM 5% 1/4W	99-150640	ERD25FJ271T	MA
RESISTOR 270 OHM 5% 1/4W	99-150668	ERD25TJ274T	MA
RESISTOR 3.3 MEG 1/2W 5%	99-120135	40-223355-11	EH
RESISTOR 3.3K OHM 1/8W 5%	99-130256	203X6001-148	WG
RESISTOR 3.3K OHM 5% 1/4W	99-150513	ERD25TJ332T	MA
RESISTOR 3.3K 1.2W	99-120455	QRZ0039-332	EH
RESISTOR 3.3K 1/2W 10%	99-130055	340X3332-941	WG
RESISTOR 3.3K 1/2W 5%	99-120346	40-223325-31	EH
RESISTOR 3.3K 1/4W 5%	99-120129	40-123325-11	EH
RESISTOR 3.3K 1/4W 5%	99-130572	340X2332-934	WG
RESISTOR 3.3K 1/8W 5%	99-130170	203X6500-762	WG
RESISTOR 3.3K 1W 5%	99-120096	40-423325-01	EH
RESISTOR 3.3M 1/2W 10%	99-130584	340X3335-244	WG
RESISTOR 3.6K 1/2W 5%	99-120134	40-223625-11	EH
RESISTOR 3.6K 1/2W 5%	99-120336	40-223625-31	EH
RESISTOR 3.9 OHM 1 W	99-160206	RN1PJ3R9	SA
RESISTOR 3.9 OHM 5% 1/2W	99-150503	ERD12TJ3R9	MA
RESISTOR 3.9K OHM 5% 1W	99-150646	ERG1ANJ392C	MA
RESISTOR 3.9K OHMS 1/8W 5%	99-130258	203X6500-785	WG
RESISTOR 3.9K OHMS 1/8W 5%	99-130249	203X6500-783	WG
RESISTOR 3.9K 1/2W 5%	99-130115	340X3039-934	WG
RESISTOR 3.9K 5% 5W	99-010165	17-10731A01	MO
RESISTOR 3.9M 1/2W 5%	99-130173	203X6502-648	WG

ATARI, INC.
 COIN-OPERATED DIVISION
 CUSTOMER SERVICE

***** MONITOR CROSS REFERENCE LISTING *****
 SORT BY DESCRIPTION

PART DESCRIPTION	PART NUMBER	MFR. MODEL NO.	MFR
RESISTOR 300 1/4W 5%	99-130582	340X2301-934	WG
RESISTOR 32.4K OHM 1% 1/4W	99-150649	ERO25AKF3242	MA
RESISTOR 33 OHM 1/2W	99-160205	RNBPJ330	SA
RESISTOR 33K OHM 5% 1/4W	99-150643	ERD25TJ333T	MA
RESISTOR 33K 1/4W 5%	99-120324	40-123335-31	EH
RESISTOR 33K 1/8W 5%	99-130171	203X6501-002	WG
RESISTOR 33K 1W 5%	99-120222	QRGO19J-332	EH
RESISTOR 330 OHM 5% 1/2W	99-150506	ERD12FJ331	MA
RESISTOR 330 OHM 5% 1/4W	99-150489	ERD145J331A	MA
RESISTOR 330 OHM 5% 1/4W	99-150651	ERD25TJ331T	MA
RESISTOR 330 OHM 5% 3W	99-150628	ERG3ANJ331H	MA
RESISTOR 330K OHMS 1/8W 5%	99-130234	203X6501-241	WG
RESISTOR 3300 OHM 3W	99-160212	RR3FJ332	SA
RESISTOR 360 1/4W 5%	99-120195	40-123615-11	EH
RESISTOR 360 1/4W 5%	99-120338	40-123615-31	EH
RESISTOR 39 OHM 5% 1/4W	99-150500	ERD25TJ390T	MA
RESISTOR 39K OHM 5% 1/4W	99-150508	ERD25TJ393T	MA
RESISTOR 39K 1/2W 1% FILM	99-120261	QRV122F-3902	EH
RESISTOR 39K 1/2W 5%	99-120326	40-223935-31	EH
RESISTOR 390 OHM 1/4W 5%	99-120072	40-123905-11	EH
RESISTOR 390 OHM 2W	99-160207	RN2PJ391	SA
RESISTOR 390 OHM 5% 1/4W	99-150658	ERD25TJ391T	MA
RESISTOR 390 OHMS 1W 5%	99-120166	42-000078-01	EH
RESISTOR 390 1/2W 5%	99-120300	40-223915-11	EH
RESISTOR 390 1/4W 5%	99-120083	40-123915-11	EH
RESISTOR 390 1/4W 5%	99-130590	340X2391-934	WG
RESISTOR 390 1W 5% FILM	99-120251	QRGO19J-391	EH
RESISTOR 4.5 10W 5%	99-120098	40-000076-03	EH
RESISTOR 4.7 OHM 3W 5% FILM	99-120255	QRX039J-4R7	EH
RESISTOR 4.7 OHM 5% 2W	99-150612	ERG2ANJ682	MA
RESISTOR 4.7 1/2W 5%	99-120131	40-224795-11	EH
RESISTOR 4.7 1W 5% FILM	99-120249	QRX019J-4R7	EH
RESISTOR 4.7K OHM % 1/4W	99-150521	ERD25TJ472T	MA
RESISTOR 4.7K OHM 5% 1/4W	99-150519	ERD14FJ472	MA
RESISTOR 4.7K OHM 5% 1W	99-150206	ERG1ANJ427H	MA
RESISTOR 4.7K OHM 5% 5W	99-150634	ERG5CJ472	MA
RESISTOR 4.7K 1/2W 5%	99-120090	40-224725-11	EH
RESISTOR 4.7K 1/2W 5%	99-120339	40-224725-31	EH
RESISTOR 4.7K 1/4W 5%	99-120084	40-124725-11	EH
RESISTOR 4.7K 1/4W 5%	99-120321	40-124725-31	EH
RESISTOR 4.7K 1/4W 5%	99-130586	340X2472-934	WG
RESISTOR 430 1/4W 5%	99-120126	40-124315-11	EH
RESISTOR 47 OHM 1/8W 5%	99-130246	203X6500-326	WG
RESISTOR 47 OHM 5% 1/4W	99-150526	ERD14FJ470	MA
RESISTOR 47 OHM 5% 1/4W	99-150648	ERD25TJ470T	MA
RESISTOR 47.OK 1% 1/2W	99-150671	ERO50AKF4702	MA

A T A R I , I N C .
C O I N - O P E R A T E D D I V I S I O N
C U S T O M E R S E R V I C E

***** MONITOR CROSS REFERENCE LISTING *****
SORT BY DESCRIPTION

PART DESCRIPTION	PART NUMBER	MFR. MODEL NO.	MFR
RESISTOR 47K OHM 5% 1/2W	99-150264	ERD121J473	MA
RESISTOR 47K OHM 5% 1/4W	99-150511	ERD25TJ473T	MA
RESISTOR 47K OHMS 1/8W 5%	99-130239	203X6501-044	WG
RESISTOR 47K OHMS 1W 5%	99-130254	203X9014-988	WG
RESISTOR 47K 1/2W 1% FILM	99-120257	QRV122F-470	EH
RESISTOR 47K 1/4W 5%	99-120087	40-124735-11	EH
RESISTOR 470 OHM 1/4W 5%	99-120078	40-124715-11	EH
RESISTOR 470 OHM 5% 1/2W,	99-150263	ERD121J471	MA
RESISTOR 470 OHM 5% 1/4W	99-150491	ERD125J471C	MA
RESISTOR 470 OHM 5% 1/4W	99-150495	ERD25TJ471T	MA
RESISTOR 470 OHMS 1/8W 5%	99-130250	203X6500-561	WG
RESISTOR 470 1/2W 5%	99-130111	340X3471-934	WG
RESISTOR 470K OHM 5% 1/4W	99-150616	ERD25TJ474S	MA
RESISTOR 470K OHMS 1/8W 5%	99-130236	203X6501-285	WG
RESISTOR 470K 1/2W 5%	99-120092	40-224745-11	EH
RESISTOR 470K 1/2W 5%	99-120331	40-224745-31	EH
RESISTOR 470K 1/4W 5%	99-120333	40-124715-31	EH
RESISTOR 5.1 10W 5%	99-120099	42-000076-04	EH
RESISTOR 5.6 1/4W 5%	99-120334	40-125625-31	EH
RESISTOR 5.6K 1/4W 5%	99-120086	40-125625-11	EH
RESISTOR 5% 1/2W 1K	99-130613	2036205-843	WG
RESISTOR 5% T2 110	99-130165	340X8111-731	WG
RESISTOR 5% 1.5 OHM 10W NI	99-130547	43X0401-056	WG
RESISTOR 5% 1/2 W 4300	99-130069	340X3432-934	WG
RESISTOR 5% 1/2W 1	99-130109	340X3010-934	WG
RESISTOR 5% 1/2W 1K	99-130154	203X6700-562	WG
RESISTOR 5% 1/2W 15K	99-130098	340X3153-934	WG
RESISTOR 5% 1/2W 150	99-130094	340X3151-934	WG
RESISTOR 5% 1/2W 16K OHM	99-130437	340X3161-934	WG
RESISTOR 5% 1/2W 18K	99-130356	340X3183-944	WG
RESISTOR 5% 1/2W 180 OHM	99-130441	34X03181-934	WG
RESISTOR 5% 1/2W 2.2	99-130288	203X6206-441	WG
RESISTOR 5% 1/2W 2.2K	99-130076	340X3222-934	WG
RESISTOR 5% 1/2W 200 OHM	99-130434	340X3201-934	WG
RESISTOR 5% 1/2W 270	99-130157	203X5602-156	WG
RESISTOR 5% 1/2W 3.3	99-130366	340X3033-934	WG
RESISTOR 5% 1/2W 3.3K	99-130398	340X3332-934	WG
RESISTOR 5% 1/2W 3.6K	99-130388	340X3362-934	WG
RESISTOR 5% 1/2W 3.9K	99-130077	340X3392-934	WG
RESISTOR 5% 1/2W 33	99-130096	340X3330-934	WG
RESISTOR 5% 1/2W 360 OHM	99-130433	340X3361-934	WG
RESISTOR 5% 1/2W 4.7 OHM	99-130432	34-0X3047-934	WG
RESISTOR 5% 1/2W 430 OHM	99-130439	340X3431-934	WG
RESISTOR 5% 1/2W 5.1K	99-130071	340X3512-934	WG
RESISTOR 5% 1/2W 5.1M OHM	99-130442	34X03515-834	WG
RESISTOR 5% 1/2W 6.2K OHM	99-130435	340X3622-934	WG

A T A R I , I N C .
C O I N - O P E R A T E D D I V I S I O N
C U S T O M E R S E R V I C E

***** MONITOR CROSS REFERENCE LISTING *****
SORT BY DESCRIPTION

PART DESCRIPTION	PART NUMBER	MFR. MODEL NO.	MFR
RESISTOR 5% 1/2W 6.8K	99-130376	340X3682-934	WG
RESISTOR 5% 1/2W 68	99-130095	340X3680-934	WG
RESISTOR 5% 1/2W 680K	99-130156	203X5202-320	WG
RESISTOR 5% 1/2W 91	99-130350	340X3910-934	WG
RESISTOR 5% 1/4W 1.5K	99-130353	340X2152-934	WG
RESISTOR 5% 1/4W 1.5M	99-130382	304X2155-934	WG
RESISTOR 5% 1/4W 1.5M	99-130370	304X2155-934	WG
RESISTOR 5% 1/4W 1.8K	99-130384	340X2182-934	WG
RESISTOR 5% 1/4W 1K	99-130392	340X2102-934	WG
RESISTOR 5% 1/4W 100	99-130351	340X2101-934	WG
RESISTOR 5% 1/4W 100K	99-130377	340X2104-934	WG
RESISTOR 5% 1/4W 150	99-130355	340X2151-934	WG
RESISTOR 5% 1/4W 18	99-130393	340X2180-934	WG
RESISTOR 5% 1/4W 2.2K	99-130373	340X2222-934	WG
RESISTOR 5% 1/4W 220	99-130385	340X2221-934	WG
RESISTOR 5% 1/4W 27	99-130391	340X2270-934	WG
RESISTOR 5% 1/4W 270	99-130374	340X2271-934	WG
RESISTOR 5% 1/4W 270K	99-130328	203X5102-155	WG
RESISTOR 5% 1/4W 33K	99-130369	340X2333-934	WG
RESISTOR 5% 1/4W 330	99-130354	340X2331-934	WG
RESISTOR 5% 1/4W 39K	99-130372	340X2393-934	WG
RESISTOR 5% 1/4W 4.7K	99-130390	340X3472-934	WG
RESISTOR 5% 1/4W 470	99-130380	340X2471-934	WG
RESISTOR 5% 1/4W 6.8K	99-130395	340X2682-934	WG
RESISTOR 5% 1/4W 680	99-130368	340X2681-934	WG
RESISTOR 5% 1/4W 91	99-130389	340X2910-934	WG
RESISTOR 5% 1/8 W 1.8K	99-130319	203X6500-709	WG
RESISTOR 5% 1/8 W 820 OHM	99-130231	203X6500-628	WG
RESISTOR 5% 1/8W WW	99-130153	203X6500-246	WG
RESISTOR 5% 1/8W 1.5K	99-130161	203X6500-689	WG
RESISTOR 5% 1/8W 1K	99-130272	203X6000-960	WG
RESISTOR 5% 1/8W 1K	99-130169	203X6500-645	WG
RESISTOR 5% 1/8W 10K	99-130287	203X6001-326	WG
RESISTOR 5% 1/8W 100	99-130271	203X6000-608	WG
RESISTOR 5% 1/8W 12K OHM	99-130232	203X6500-902	WG
RESISTOR 5% 1/8W 120 OHM	99-130240	203X6500-420	WG
RESISTOR 5% 1/8W 150	99-130320	203X6500-447	WG
RESISTOR 5% 1/8W 2.2	99-130167	203X6000-002	WG
RESISTOR 5% 1/8W 2.7K	99-130158	203X6500-741	WG
RESISTOR 5% 1/8W 220	99-130321	203X6500-481	WG
RESISTOR 5% 1/8W 270	99-130160	203X6500-508	WG
RESISTOR 5% 1/8W 4.7K	99-130322	203X6500-800	WG
RESISTOR 5% 1/8W 560	99-130273	230X60000-879?	WG
RESISTOR 5% 1/8W 6.8K	99-130275	203X6500-842	WG
RESISTOR 5% 1/8W 68K	99-130159	203X6501-088	WG
RESISTOR 5% 1W 1.2K	99-130155	203X9010-757	WG

ATARI, INC.
COIN-OPERATED DIVISION
CUSTOMER SERVICE

***** MONITOR CROSS REFERENCE LISTING *****
SORT BY DESCRIPTION

PART DESCRIPTION	PART NUMBER	MFR. MODEL NO.	MFR.
RESISTOR 5% 1W 1.2K	99-130152	203X9014-603	WG
RESISTOR 5% 1W 1K	99-130149	203X9014-585	WG
RESISTOR 5% 1W 12K	99-130168	203X9014-842	WG
RESISTOR 5% 1W 39K	99-130274	203X9014-965	WG
RESISTOR 5% 1W 56K OHM	99-130508	34X4563-931	WG
RESISTOR 5% 10W 2	99-130397	43X0401-053	WG
RESISTOR 5% 12K OHM 2W	99-130525	34X5123-733	WG
RESISTOR 5% 2.0W 12K	99-130323	203X9104-809	WG
RESISTOR 5% 3W 4.7OHM	99-130440	34X06047-631	WG
RESISTOR 5% 4.0W 7.5K	99-130066	34X07752-733	WG
RESISTOR 5% 5W 120	99-130166	34X08121-731	WG
RESISTOR 5% 510 OHM 1W	99-130526	34X04511-933	WG
RESISTOR 5% 7.5 OHM 5W	99-130527	43X0401-054	WG
RESISTOR 5K OHM	99-120227	QVZ3230-053	EH
RESISTOR 5K OHM	99-120453	QVZ3234-053	EH
RESISTOR 5K OHM HV ADJ	99-130436	40X0637-004	WG
RESISTOR 5M OHM FOCUS CONTROL	99-130438	40X0638-001	WG
RESISTOR 5W 5%	99-120133	40-224715-11	EH
RESISTOR 500 CONTRAST CONTROL	99-130375	40X0637-002	WG
RESISTOR 510 OHM 5% 2W	99-150629	ERG2ANJ511H	MA
RESISTOR 56 OHM 5% 1/2W	99-150627	ERD50FJ560P	MA
RESISTOR 56 OHM 5% 1/4W	99-150510	ERD25TJ560T	MA
RESISTOR 56 OHM 5% 2W	99-150635	ERF2AJ560	MA
RESISTOR 56K OHMS 1.8W 5%	99-130237	203X6501-065	WG
RESISTOR 56K OHMS 1/2W 5%	99-130255	203X6700-989	WG
RESISTOR 560 OHM 1/2W 5%	99-130243	203X6700-509	WG
RESISTOR 560 OHM 1W	99-160208	RR1FJ561	SA
RESISTOR 560 OHM 5% 1/4W	99-150523	ERD25TJ561T	MA
RESISTOR 560 OHM 5% 1/4W	99-150614	ERD25TJ561S	MA
RESISTOR 560 1/2W 5%	99-130570	34X03561-934	WG
RESISTOR 560 1/4W 5%	99-120303	40-125615-11	EH
RESISTOR 560 1/4W 5%	99-130574	34X02561-934	WG
RESISTOR 560 5W 10%	99-130568	43X0401-057	WG
RESISTOR 560K 5% 1/4W	99-150496	ERD25TJ564T	MA
RESISTOR 5600 OHM 1/4W	99-160204	RNABF562	SA
RESISTOR 5600 OHM 1W	99-160216	RF1FJ562	SA
RESISTOR 6.8 OHM 1W 5% FILM	99-120221	QRX019J-6R8	EH
RESISTOR 6.8 OHM 10% 3W	99-150665	ERF3AK6R8	MA
RESISTOR 6.8 OHM 5% 1/4W	99-150728	ERD25TJ682T	MA
RESISTOR 6.8K OHM 5% 1/42	99-150525	ERD14FJ682	MA
RESISTOR 6.8K 1/2W 5%	99-120091	40-226825-11	EH
RESISTOR 6.8K 1/4W 5%	99-120343	40-126825-31	EH
RESISTOR 6.8K 1/4W 5%	99-130580	34X02682-934	WG
RESISTOR 6.8K 1/4W 5%	99-120085	40-126825-11	EH
RESISTOR 620 OHM 5% 1/4W	99-150631	ERDS1TJ621T	MA
RESISTOR 620 1/4W 5%	99-120373	40-126215-11	EH

ATARI, INC.
 COIN-OPERATED DIVISION
 CUSTOMER SERVICE

***** MONITOR CROSS REFERENCE LISTING *****
 SORT BY DESCRIPTION

PART DESCRIPTION	PART NUMBER	MFR. MODEL NO.	MFR
RESISTOR 620K 1/4W 5%	99-120194	40-126245-11	EH
RESISTOR 68 OHM 1/4W 5%	99-150623	ERD25FJ680T	MA
RESISTOR 68 OHM 2W	13-5680	QRG026J-680Z	EH
RESISTOR 68 OHM 2W 10%	99-120225	QRH024K-680	EH
RESISTOR 68K OHM 5% 1/4W	99-150650	ERD50TJ683S	MA
RESISTOR 68K OHM 5% 1/4W	99-150645	ERD25TJ683T	MA
RESISTOR 68K 1/2W 5%	99-130163	203X5601-906	WG
RESISTOR 680 OHM 1/4W 5%	99-120199	40-126815-11	EH
RESISTOR 680 OHM 2W 5%	99-120230	QRG026J-681	EH
RESISTOR 680 OHM 5% 1/2W	99-150660	ERD50TJ681S	MA
RESISTOR 680 OHM 5% 1/4W	99-150487	ERD25TJ681T	MA
RESISTOR 680 OHM 5% 1/4W	99-150492	ERD145J681A	MA
RESISTOR 680 OHM 5% 1/4W	99-150642	ERD25VJ684W	MA
RESISTOR 680 OHM 5% 1W	99-150662	ERG1ANJ681C	MA
RESISTOR 680 1/2W 5%	99-130598	340X3681-934	WG
RESISTOR 680K 5% 1/4W	99-150498	ERD25TJ684T	MA
RESISTOR 6800 OHM 2W	99-160210	RR2FJ682	SA
RESISTOR 7.68K 1/4W 1% FILM	99-120262	QRV142F-7681	EH
RESISTOR 750K 1/4W 5%	99-120088	40-127545-11	EH
RESISTOR 750K 1/4W 5%	99-130594	340X2754-934	WG
RESISTOR 8.2 OHM 1W 5%	99-120231	QRX019J-8R2	EH
RESISTOR 8.2K OHM 2W 5%	99-120229	QRG026J-822	EH
RESISTOR 8.2K OHM 5% 1/2W	99-150657	ERD50TJ823S	MA
RESISTOR 8.2K OHM 5% 1/4W	99-150621	ERD25FJ822T	MA
RESISTOR 8.2K OHM 5% 1/4W	99-150644	ERD25TJ822T	MA
RESISTOR 82K 1/4W 5%	99-120329	40-128235-31	EH
RESISTOR 82K 2W 5% FILM	99-120250	QRX026J-820	EH
RESISTOR 820HM 5% 1/4W	99-150502	ERD25TJB20T	MA
RESISTOR 820 OHM 2W	99-120408	QRG026J-821Z	EH
RESISTOR 820 OHM 5% 1/2W	99-150520	ERD125J821	MA
RESISTOR 820 OHM 5% 1/4W	99-150515	ERD25TJ824T	MA
RESISTOR 820 1W 5%	99-120094	40-428211-01	EH
RESISTOR 820K 1/2W 5%	99-130107	340X3824-934	WG
RESISTOR 9.1K 1/4W 5%	99-120304	40-129125-11	EH
RESISTOR 91 1/4W 5%	99-120337	40-129105-31	EH
RESISTOR 910 1/4W 5%	99-120348	40-129115-31	EH
RESISTOR 9.3K 1% 1/4W	99-150672	ERD25AKF5301	MA
RIVET NYLON	99-010094	5-10281A03	MO
ROD ADJUSTMENT	99-010099	47-66082A04	MO
SCREW #6-3/8	99-120395	31-610618-06	EH
SCREW #8-32-3/8	99-120394	33-000585-22	EH
SCREW MACH #4-1/2	99-120355	31-600418-06	EH
SCREW MACH #6-5/8	99-120356	31-600618-10	EH
SCREW SELF TAP #4-3/8	99-120380	31-610418-06	EH
SCREW SELF TAP #8-3/8	99-120381	31-610818-06	EH
SCREW 1/4 X 3/4	99-120430	31-601418-12	EH

A T A R I , I N C .
C O I N - O P E R A T E D D I V I S I O N
C U S T O M E R S E R V I C E

***** MONITOR CROSS REFERENCE LISTING *****
SORT BY DESCRIPTION

PART DESCRIPTION	PART NUMBER	MFR. MODEL NO.	MFR
SHEET TR	99-160466	E4606	SA
SHEET TR	99-160468	E4739	SA
SHIELD COVER EHT	99-120384	35-004019-01	EH
SHIELD FLYBACK TRANSFORMER	99-150554	TUC76909	MA
SHIELD PCB	99-150555	TKZ768904	MA
SHIELD PURITY	99-120449	35-003847-01	EH
SHIELD PURITY	99-120450	35-003837-02	EH
SHIELD PURITY	99-130498	32X0509-001	WG
SIDE PANEL LH	99-120363	35-003991-01	EH
SILICON RECTIFIER MR9722	99-070012	5340200300	TC
SILICON RECTIFIER VG-1X	99-04025	1-021-0447	BL
SILICON RECTIFIER 1N3279	99-04023	1-021-0380	BL
SILICON RECTIFIER 1N3280	99-04024	1-021-0403	BL
SILICON RECTIFIER 1N3605	99-04022	1-021-0410	BL
SILICON RECTIFIER 1N5398	99-04026	1-021-0436	BL
SILICON RECTIFIER 5340200300	99-070012	MR9722	TC
SLIDE SWITCH	99-070059	OKPE-13-1567	TC
SOCKET & CONNECTOR FOR CRT	99-130120	38Z5395-000	WG
SOCKET CRT	99-160005	E3484	SA
SOCKET CRT	99-120400	34-000213-14	EH
SOCKET CRT	99-120246	A76068	EH
SOCKET CRT	99-120378	34-120388	EH
SOCKET CRT	99-010141	9-67555C27	MO
SOCKET CRT	99-130532	3A0632-001	WG
SOCKET CRT	99-130346	208X200Q-946	WG
SOCKET CRT	99-120388	34-000213-13	EH
SOCKET CRT M5000	99-010183	9-25470A01	MO
SOCKET H.V. ANODE	99-010075	9-25201A01	MO
SOCKET PICTURE TUBE	99-010141	9-67555C27	MO
SOCKET PICTURE TUBE	99-010141	9-25282A08	MO
SOCKET PICTURE TUBE	99-010044	USE 99-010141	MO
SOCKET POWER TRANSISTOR	99-010045	9-63825A01	MO
SOCKET POWER TRANSISTOR	99-010045	9-63825A01	MO
SOCKET POWER TRANSISTOR	99-130522	3A0614-001	WG
SOCKET TRANSISTOR	99-120060	34-000515-04	EH
SOCKET TRANSISTOR	99-120155	34-000594-02	EH
SOCKET TRANSISTOR	99-130497	3A0624-001	WG
SOCKET TRANSISTOR OUTPUT	99-120367	34-000515-03	EH
SOCKET Y ASSY	99-130483	38A5698-000	WG
SPOT KILLER MPSA93	99-04010	1-015-1202	BL
SPRING DAG GROUNDING	99-130144	28X0789-001	WG
SPRING GROUND STRAP	99-120191	35-003560-01	EH
SPRING GROUNDING	99-120438	35-000212-03	EH
STANDOFF	99-120434	33-670-010R-02	EH
SWITCH SCR CROWBAR C106A1	99-04013	1-015-1203	BL
SWITCH SERVICE	99-150596	ESD7022	MA

ATARI, INC.
 COIN-OPERATED DIVISION
 CUSTOMER SERVICE

***** MONITOR CROSS REFERENCE LISTING *****
 SORT BY DESCRIPTION

PART DESCRIPTION	PART NUMBER	MFR. MODEL NO.	MFR
SWITCH SLIDE	99-070059	OKPE-13-1567	TC
SYNC SEPARATOR NPN MPSA16	99-04007	1-015-1193	BL
TERM STRIP 4 CKT	99-120451	34-000492-09	EH
TERM STRIP 4 CKT	99-120313	34-000492-09	EH
TERMINAL	99-130521	30X0764-001	WG
TERMINAL CRIMP	99-120061	34-000550-01	EH
TERMINAL HOUSING	99-120448	34-000709-01	EH
TERMINAL PIN	99-120182	34-000557-18	EH
TERMINAL PIN	99-120447	34-000708-01	EH
TERMINAL RING	99-120389	34-000699-01	EH
THERMISTOR	99-160502	E1046T	SA
THERMISTOR	99-120016	42-000060-01	EH
THERMISTOR	99-130311	201X0000-534	WG
THERMISTOR	99-130229	201X011-034	WG
THERMISTOR	99-130070	43X0467-001	WG
THERMISTOR PIC	99-130550	43X0471	WG
THERMISTOR SDT 500	99-160202	E1081T	SA
TRANSISTOR A8H	99-010019	48-137317	MO
TRANSFORMER	99-04045	OBSOLETE	BL
TRANSFORMER	99-120284	C39084-A	EH
TRANSFORMER	99-120283	C39049-A	EH
TRANSFORMER	99-120282	C39050-A	EH
TRANSFORMER	99-010117	24-25240B23	MO
TRANSFORMER	99-010084	24-25240A08	MO
TRANSFORMER	99-010100	25-25239B07	MO
TRANSFORMER	99-010112	25-25240A23-185	MO
TRANSFORMER	99-010116	25-25239B30	MO
TRANSFORMER	99-010133	25-68164B07	MO
TRANSFORMER	99-010113	25-25221B12	MO
TRANSFORMER	99-010064	24-69791B17	MO
TRANSFORMER	99-010077	25-25239A07	MO
TRANSFORMER	99-010132	25-25221A05	MO
TRANSFORMER	99-010095	25-25239A04	MO
TRANSFORMER	99-010066	24-25240A07	MO
TRANSFORMER	99-010159	25-25239B20	MO
TRANSFORMER	99-010038	25-25221A07	MO
TRANSFORMER	99-010134	24-25240A12	MO
TRANSFORMER	99-010037	24-25240A04	MO
TRANSFORMER	99-010059	USE 99-010134	MO
TRANSFORMER	99-010046	25-6814A27	MO
TRANSFORMER	99-010058	USE 99-010066	MO
TRANSFORMER AUDIO OUTPUT	99-130186	201X9500-337	WG
TRANSFORMER EHT FLYBACK	99-120377	24-180001-02	EH
TRANSFORMER FLYBACK	99-150011	TLF14601B/F	MA
TRANSFORMER FLYBACK	99-120005	21-000234-02	EH
TRANSFORMER FLYBACK	99-120211	A29951-A	EH

ATARI, INC.
COIN-OPERATED DIVISION
CUSTOMER SERVICE

***** MONITOR CROSS REFERENCE LISTING *****
SORT BY DESCRIPTION

PART DESCRIPTION	PART NUMBER	MFR. MODEL NO.	MFR
TRANSFORMER FLYBACK	99-150594	TLF6041F	MA
TRANSFORMER FLYBACK	99-160009	A0281	SA
TRANSFORMER FLYBACK	99-070054	589517017	TC
TRANSFORMER FLYBACK	99-160508	F5039	SN
TRANSFORMER FLYBACK	99-120470	A19183-A	EH
TRANSFORMER FLYBACK	99-130046	53X0474-001	WG
TRANSFORMER FLYBACK (NEED MFG #)	99-160011	F5024	SA
TRANSFORMER FLYBACK (NEED MFG #)	99-160011	F5031	SA
TRANSFORMER H DRIVE	99-150593	TLH6434	MA
TRANSFORMER HIGH VOLTAGE	99-04034	1-017-5406	BL
TRANSFORMER HORIZ DRIV TLN517	99-070021	589518012	TC
TRANSFORMER HORIZ DRIVE	99-120281	A46022-BM	EH
TRANSFORMER HORIZ DRIVE	99-130187	201X3100-080	WG
TRANSFORMER HORIZ OSCIL TLN506BX	99-070022	589514015	TC
TRANSFORMER HORIZ OXCIL 589514015	99-070022	TLN506BX	TC
TRANSFORMER HORIZONTAL DRIVE	99-04033	1-017-5380	BL
TRANSFORMER HORIZONTAL DRIVE	99-150013	TLH6431	MA
TRANSFORMER HORIZONTAL DRIVE	99-010186	24-69791A11	MO
TRANSFORMER HORIZONTAL DRIVE	99-160010	A7007N	SA
TRANSFORMER HV	99-120139	24-180001-01	EH
TRANSFORMER HV	99-130455	53X0480-001	WG
TRANSFORMER HV	99-130516	53X0487-001	WG
TRANSFORMER HV 19" X-Y	99-120139	24-180001-01	EH
TRANSFORMER PINCUSHION	99-150012	TLH8708	MA
TRANSFORMER PINCUSHION	99-120009	24-140008-01	EH
TRANSFORMER PINCUSHION	99-150595	TLH6797	MA
TRANSFORMER POWER	99-04031	6-003-0483	BL
TRANSFORMER POWER	99-120007	6K5313DGB7	EH
TRANSFORMER POWER	99-130045	53X0475-001	WG
TRANSFORMER SIDE PC	99-130188	202X1210-191	WG
TRANSFORMER VERTICAL OUTPUT	99-04029	6-003-0479	BL
TRANSISOTR 86X0124-001	99-130417	2N3792	WG
TRANSISTOR	99-120030	14-000660-12	EH
TRANSISTOR	99-120033	14-000903-23	EH
TRANSISTOR	99-120028	14-000806-12	EH
TRANSISTOR	99-120034	14-000904-12	EH
TRANSISTOR	99-120027	14-000802-32	EH
TRANSISTOR	99-120031	14-000914-23	EH
TRANSISTOR	99-120032	14-000915-23	EH
TRANSISTOR	99-120029	14-000855-32	EH
TRANSISTOR	99-120035	14-000601-35	EH
TRANSISTOR	99-120158	MJE51T	EH
TRANSISTOR	99-120288	25C454(C)	EH
TRANSISTOR	99-120248	14-000867-32	EH
TRANSISTOR	46-203002	14-000873-32	EH
TRANSISTOR	99-120158	14-000942-23	EH

ATARI, INC.
COIN-OPERATED DIVISION
CUSTOMER SERVICE

***** MONITOR CROSS REFERENCE LISTING *****
SORT BY DESCRIPTION

PART DESCRIPTION	PART NUMBER	MFR. MODEL NO.	MFR
TRANSISTOR	99-120213	2SC1413AV	EH
TRANSISTOR	99-120286	2SD478	EH
TRANSISTOR	99-120417	2SC1685	EH
TRANSISTOR	99-120289	2SC2688 (K.L.M.)	EH
TRANSISTOR	99-120404	2SC1514VC	EH
TRANSISTOR	99-120245	2SC2611	EH
TRANSISTOR	99-120352	14-000505-02	EH
TRANSISTOR	99-120429	2SD870	EH
TRANSISTOR	99-120247	14-000802-12	EH
TRANSISTOR	99-120290	2SC1890A (E.F.)	EH
TRANSISTOR	99-120418	2SA673	EH
TRANSISTOR	99-120287	2SC2371V	EH
TRANSISTOR	99-120419	2SC2610	EH
TRANSISTOR	99-150567	2SB642	MA
TRANSISTOR	99-150016	2SC1905	MA
TRANSISTOR	99-150014	2SC564A	MA
TRANSISTOR	99-150566	2SD637	MA
TRANSISTOR	99-150017	2SD649	MA
TRANSISTOR	99-150019	2SC1685	MA
TRANSISTOR	99-160014	2SD870	EH
TRANSISTOR	99-150018	2SC1629	MA
TRANSISTOR	99-150565	2SC1905HLB	MA
TRANSISTOR	99-010145	48-137696	MO
TRANSISTOR	99-010154	48-137670	MO
TRANSISTOR	99-010145	48-137696	MO
TRANSISTOR	99-070051	5310500261	TC
TRANSISTOR	99-070053	5310500450	TC
TRANSISTOR	99-130509	86X0120-001	WG
TRANSISTOR AMP	99-150569	2SC1473NC	MA
TRANSISTOR ASSY NPN	99-130415	38A557-000	WG
TRANSISTOR ASSY PNP	99-130414	38A5578-000	WG
TRANSISTOR A1M	99-010018	48-134919	MO
TRANSISTOR A2J	99-010026	48-134952	MO
TRANSISTOR A5F	99-010022	48-137093	MO
TRANSISTOR A5U	99-010020	48-137115	MO
TRANSISTOR A6G	99-010030	48-137169	MO
TRANSISTOR A6H	99-010016	48-137171	MO
TRANSISTOR A6J	99-010021	48-137172	MO
TRANSISTOR A8U	99-010031	48-137344	MO
TRANSISTOR A8W	99-010028	48-137368	MO
TRANSISTOR B REGULATOR	99-150568	2SD692	MA
TRANSISTOR BU207 HORIZ OUTPUT	99-130122	86X0118-001	WG
TRANSISTOR BU409	99-130446	86X0128-001	WG
TRANSISTOR B1E	99-010097	48-137476	MO
TRANSISTOR B1E	99-010067	48-137476	MO
TRANSISTOR B2N	99-010027	48-137574	MO

A T A R I , I N C .
 COIN-OPERATED DIVISION
 CUSTOMER SERVICE

***** MONITOR CROSS REFERENCE LISTING *****
 SORT BY DESCRIPTION

PART DESCRIPTION	PART NUMBER	MFR: MODEL NO.	MFR
TRANSISTOR B2V	99-010156	48-137596	MO
TRANSISTOR B2V	99-010065	48-137569	MO
TRANSISTOR CCHAK151	99-160471	2SD1507	SA
TRANSISTOR CRT DRIVE	99-150560	25C2923RL	MA
TRANSISTOR DAMPER	99-160014	Q6785Z	SA
TRANSISTOR DAMPER NPN	99-160014	Q6785Z	SA
TRANSISTOR D40N5 SPQT KILLER	99-130123	86X0065-001	WG
TRANSISTOR D40P3 NPN	99-130129	86X0115-001	WG
TRANSISTOR H OUTPUT	99-150563	25D659Q	MA
TRANSISTOR HORIZ AMP	99-070056	5310500410	TC
TRANSISTOR HORIZONTAL OUTPUT	99-150478	TJE76311	MA
TRANSISTOR INSULATOR OUTPUT	99-120368	39-000068-16	EH
TRANSISTOR LEAD TO 3	99-130518	38A5684-000	WG
TRANSISTOR LEAD 3CKT	99-130517	38A5573-000	WG
TRANSISTOR MJE51T	99-120158	14-000942-23	EH
TRANSISTOR MJE520	99-070025	5310500031	TC
TRANSISTOR MOUNT	99-120366	31-620618-08	EH
TRANSISTOR MPS-LQ1	99-04060	1-015-1170	BL
TRANSISTOR MPSA-13	99-010147	48-137639	MO
TRANSISTOR MPSA06 NPN	99-130130	86X0071-001	WG
TRANSISTOR MPSA06S	34-MPSA06S	14-000936-32	EH
TRANSISTOR MPSA20 NPN	99-130131	86X0058-002	WG
TRANSISTOR MPSA56 NPN	99-130134	86X0072-001	WG
TRANSISTOR MPSA70 NPN	99-130133	86X0068-001	WG
TRANSISTOR MPSU03	99-120109	14-000944-12	EH
TRANSISTOR MPSU07	99-120110	14-000935-12	EH
TRANSISTOR MPSU07 NPN	99-130135	86X0073-001	WG
TRANSISTOR MPSU57	99-120111	14-000934-12	EH
TRANSISTOR MPS4356	99-070016	MPS4356	TC
TRANSISTOR MPS9417AT	99-070024	5310500082	TC
TRANSISTOR MPS9700U	99-070023	5310500201	TC
TRANSISTOR MPU131 P.U.T.	99-130138	86X0070-001	WG
TRANSISTOR NPN	99-160015	Q5053F	SA
TRANSISTOR NPN	99-160012	Q5173D	SA
TRANSISTOR NPN	99-160013	Q5144E	SA
TRANSISTOR NPN	99-160018	Q5138K	SA
TRANSISTOR NPN	99-160017	Q6526Z	SA
TRANSISTOR NPN	99-160016	Q5107E	SA
TRANSISTOR NPN	99-130359	86X0121-001	WG
TRANSISTOR NPN	99-130562	86X0125-001	WG
TRANSISTOR NPN LM1796	99-070009	5310500223	TC
TRANSISTOR NPN MJ205	99-070007	5310400040	TC
TRANSISTOR NPN MJ3430	99-070005	4310400030	TC
TRANSISTOR NPN MPSA06S	99-120149	34-MPSA06S	EH
TRANSISTOR NPN MPSA4354	99-070006	5310500062	TC
TRANSISTOR NPN MPSU04	99-070008	5310500070	TC

ATARI, INC.

 CD IN-OPERATED DIVISION
 CUSTOMER SERVICE

 ***** MONITOR CROSS REFERENCE LISTING *****
 SORT BY DESCRIPTION

PART DESCRIPTION	PART NUMBER	MFR. MODEL NO.	MFR
TRANSISTOR NPN MPS10	99-070004	531050080	TC
TRANSISTOR NPN MPS834	99-070017	531050020	TC
TRANSISTOR NPN TPS 98	99-130412	86X0127-001	WG
TRANSISTOR NPN 2N3716	99-130416	86X0123-001	WG
TRANSISTOR NPN 2N3904	99-130413	86X0113-001	WG
TRANSISTOR NPN 5310500223	99-070009	LM1796	TC
TRANSISTOR PNP	99-130564	96X0126-001	WG
TRANSISTOR PNP MPS4356	99-070016	5310500204	TC
TRANSISTOR PNP 2N3792	99-130417	86X0124-001	WG
TRANSISTOR POWER	99-120044	14-000910-13	EH
TRANSISTOR P2S	99-010017	48-137127	MO
TRANSISTOR P2V	99-010029	48-137168	MO
TRANSISTOR P2W	99-010024	48-137173	MO
TRANSISTOR Q5053G	99-160513	25C536	SA
TRANSISTOR Q6548DR	99-160578	25C2073R	SA
TRANSISTOR Q6574Z	99-160465	25D869	SA
TRANSISTOR Q6586DR	99-160579	25A940R	SA
TRANSISTOR Q68030	99-160580	25C2551	SA
TRANSISTOR Q6819Z	99-160469	25D1090	SA
TRANSISTOR REFERENCE AMPLIFIER	99-150020	25C1753	MA
TRANSISTOR SCR MCR106-2	99-120150	14-000516-04	EH
TRANSISTOR SI	99-120214	25C1106A	EH
TRANSISTOR TIP31B	99-120159	14-000937-23	EH
TRANSISTOR T1S9B	99-120108	14-000943-12	EH
TRANSISTOR V OUTPUT	99-150562	25C1683LB	MA
TRANSISTOR VIDEO AMP	99-150730	25D6371Q	MA
TRANSISTOR VIDEO OUTPUT	99-150015	25C1573NC	MA
TRANSISTOR 12V REGULATOR	99-150564	25C1226	MA
TRANSISTOR 20S525R	99-130447	86X0129-001	WG
TRANSISTOR 2N3716 (T1)	99-120058	14-000941-01	EH
TRANSISTOR 2N3792 (T1)	99-120057	14-000940-01	EH
TRANSISTOR 2N3792X	99-130467	86X0135-001	WG
TRANSISTOR 2N3904	99-130127	86S0113-001	WG
TRANSISTOR 2N3906 PNP	99-130128	86X0114-001	WG
TRANSISTOR 2N5192 NPN	99-130136	86X0074-001	WG
TRANSISTOR 2N5195 NPN	99-130137	86X0075-001	WG
TRANSISTOR 2N5632 REGULATOR	99-130121	86X0117-001	WG
TRANSISTOR 2N6557 HORIZ DRIVER	99-130132	86X0116-001	WG
TRANSISTOR 25A4900YLBGLI	99-130297	200X4049-081	WG
TRANSISTOR 25A826	99-130295	200X4082-614	WG
TRANSISTOR 25A854	99-130300	200X4085-415	WG
TRANSISTOR 25A940R	99-160579	Q6586DR	SA
TRANSISTOR 25C1454	99-130314	200X3145-404	WG
TRANSISTOR 25C1625YLBGLI	99-130298	200X3162-538	WG
TRANSISTOR 25C1722BKS	99-130301	200X3172-208	WG
TRANSISTOR 25C1723	99-130315	200X3172-305	WG

A T A R I , I N C .
C O I N - O P E R A T E D D I V I S I O N
C U S T O M E R S E R V I C E

***** MONITOR CROSS REFERENCE LISTING *****
SORT BY DESCRIPTION

PART DESCRIPTION	PART NUMBER	MFR. MODEL NO.	MFR
TRANSISTOR 25C1740	99-130296	200X3174-006	WG
TRANSISTOR 25C1740R	99-130299	200X3174-014	WG
TRANSISTOR 25C1893	99-130176	200X3189-304	WG
TRANSISTOR 25C2068 25C1514	99-130337	200X3206-800	WG
TRANSISTOR 25C2068 200X3206-800	99-130337	25C1514	WG
TRANSISTOR 25C2073R	99-160578	Q6548DR	SA
TRANSISTOR 25C2551	99-160580	Q68030	SA
TRANSISTOR 25C536	99-160513	Q5053G	SA
TRANSISTOR 25D1090	99-160469	Q6819Z	SA
TRANSISTOR 25D1507	99-160471	CCHAK151	SA
TRANSISTOR 25D869	99-160465	Q6574Z	SA
TRANSISTOR 200X3145-404	99-130314	25C1454	WG
TRANSISTOR 200X3162-538	99-130298	25C1625YLBGLI	WG
TRANSISTOR 200X3172-208	99-130301	25C1722BKS	WG
TRANSISTOR 200X3172-305	99-130315	25C1723	WG
TRANSISTOR 200X3174-006	99-130296	25C1740	WG
TRANSISTOR 200X3206-800	99-130337	25C2068	WG
TRANSISTOR 200X4049-081	99-130297	25A4900YLBGLI	WG
TRANSISTOR 200X4082-614	99-130295	25A826	WG
TRANSISTOR 200X4085-415	99-130300	25A854	WG
TRANSISTOR 4310400030	99-070005	MJ3430	TC
TRANSISTOR 5310400040	99-070007	MJ205	TC
TRANSISTOR 5310500031	99-070025	MJE520	TC
TRANSISTOR 5310500062	99-070006	MPSA4354	TC
TRANSISTOR 5310500070	99-070008	MPSU04	TC
TRANSISTOR 5310500080	99-070004	MPSU10	TC
TRANSISTOR 5310500082	99-070024	MPS9417AT	TC
TRANSISTOR 5310500201	99-070023	MPS9700U	TC
TRANSISTOR 5310500202	99-070017	MPS834	TC
TRANSISTOR 7644 (HITACHI)	99-120036	14-000601-36	EH
TRANSISTOR 86X0113-001	99-130413	2N3904	WG
TRANSISTOR 86X0123-001	99-130416	2N3716	WG
TRANSISTOR 86X0127-001	99-130412	TPS 98	WG
TRANSISTOR 86X0128-001	99-130446	BU409	WG
TRANSISTOR 86X0129-001	99-130447	2D5525R	WG
TRANSISTOR 86X0135-001	99-130467	2N3792X	WG
TRIPLER/FOCUS RESISTOR	99-120006	28-000037-01	EH
UNIT RIV ASSY	99-130489	38A5704-000	WG
USE 99-010012	99-010120	48-191A05	MO
USE 99-010128	99-010003	23-65282A41	MO
USE 99-010145	99-010023	48-137570	MO
USE 99-130310	99-130317	?	WG
USE 99-130479	99-130523	?	WG
USE 99-130490	99-130506	?	WG
USE 99-130545	99-130546	?	WG
USE 99-150599	99-150727		MA

ATARI, INC.
COIN-OPERATED DIVISION
CUSTOMER SERVICE

***** MONITOR CROSS REFERENCE LISTING *****
SORT BY DESCRIPTION

PART DESCRIPTION	PART NUMBER	MFR. MODEL NO.	MFR
VARISISTOR VERT ADJ	99-130276	204X2050-001	WG
VARISISTOR 1M	99-130331	204X2000-024	WG
VARISISTOR 5K	99-130330	204X2115-005	WG
VARISISTOR 50	99-130329	204X2115-014	WG
VARISTOR	99-010131	6-10201A04	MO
VARISTOR	99-010152	6-10201A04	MO
VARISTOR	99-010034	6-66262A16	MP
VARISTOR	99-130230	201X022-007	WG
VARISTOR 1K 1/8W 20%	99-04042	1-011-5691	BL
VARISTOR 10K 1/8W 20%	99-04038	1-011-5312	BL
VARISTOR 150K 1/8W 20%	99-04037	1-011-5689	BL
VARISTOR 2.5 MEG OHM 1/8W 20%	99-04041	1-011-5690	BL
VARISTOR 20K OHM	99-130262	204X2114-065	WG
VARISTOR 25K 1/8W 20%	99-04039	1-011-5325	BL
VARISTOR 25K 20%	99-04048	1-011-5684	BL
VARISTOR 250K OHMS	99-130261	204X2122-093	WG
VARISTOR 50K OHMS	99-130263	204X2114-059	WG
VARISTOR 50K 1/8W 20%	99-04040	1-011-5373	BL
VARISTOR 50K 20%	99-04046	1-011-5686	BL
VARISTOR 500 OHMS 1/8W 20%	99-04043	1-011-5604	BL
VARISTOR 500 OHMS 20%	99-04047	1-011-5688	BL
VERTICAL OSCILLATOR UJT 2N6027	99-04008	1-015-1157	BL
VERTICAL OUTPUT NPN 2SD189	99-04003	1-015-1176	BL
VIDEO INPUT NPN	99-04004	1-015-1144	BL
VIDEO INPUT 2N3906	99-04005	1-015-1145	BL
VIDEO OUTPUT MPSU03	99-04006	1-015-1153	BL
WASHER .468 X .187	99-120386	33-000210-50	EH
WASHER #8	99-120385	33-000025-01	EH
WASHER LOCK	99-120431	33-000255-01	EH
WEDGE DEFLECTION YOKE	99-130477	2082400901	WG
WIDTH COIL	99-120278	C30380-A	EH
WIDTH CONNECTOR	99-04044	1-016-0317	BL
WIRE #20 BARE	99-130559	320X2000-000	WG
WIRE ASSY RED	99-130542	38A5682-000	WG
WIRE BLACK ASSY	99-130534	38A5678-000	WG
WIRE BROWN ASSY	99-130535	38A5679-000	WG
WIRE GROUND STRAP	99-120435	34-000228-03	EH
WIRE HIGH VOLTAGE	99-150552	TXF3A01KG1	MA
WIRE WHITE & BLUE	99-130536	38A5680-000	WG
YOKE	99-120444	39-001233-01	EH
YOKE	99-010143	24-25261A02	MO
YOKE	99-010185	24-25687A03	MO
YOKE	99-010143	24-25687A02	MO
YOKE DEFLECTION	99-120003	21-000122-03	EH
YOKE DEFLECTION	99-120178	21-000139-02	EH
YOKE DEFLECTION	99-120047	21-000122-07	EH

PAGE

281

ATARI, INC.
COIN-OPERATED DIVISION
CUSTOMER SERVICE

***** MONITOR CROSS REFERENCE LISTING *****
SORT BY DESCRIPTION

PART DESCRIPTION