

INSTALLATION INSTRUCTIONS AND WIRING DIAGRAMS

KIT NO. 147-A REMOTE VOLUME CONTROL UNIT (PART NO. 119268)

FOR

MODELS 2500, 2504, 2510

List of Material

1 - 65365	Box, Plug and Relay Assembly
1 - 119269	Chassis Pan, Complete
2 - 984	Volume Control Key
1 - 119274	Instruction Sheet

NOTE: a. Bulk Cable, Part No. 50799, should be ordered as required.

1. a. Connect the five wire cable, Part No. 50799 to the chassis pan assembly Part No. 119269 and fasten it with the strain relief. For connections follow the schematic diagrams Figs. 3 and 4.
 - b. Mount the chassis pan and cover at the remote station.
 - c. Lay the cable by the shortest practical route, leaving working slack at the remote station and at the phonograph, fasten it securely every eighteen inches and at all corners. Keep this cable clear of other electrical circuits where interference may be picked up. Avoid any parallel proximity to any other circuits.
2. a. Connect the cable to the "box, plug, and relay assembly" Part No. 65365 in accordance with the schematic diagram or the "number code" at the binding screws shown in Figs. 1 and 2.
 - b. Remove the remote control jumper plug from the Amplifier and install the "box, plug, and relay assembly" in its place.
3. Turn on the phonograph and test for proper operation.

BOX, PLUG AND RELAY ASSEMBLY

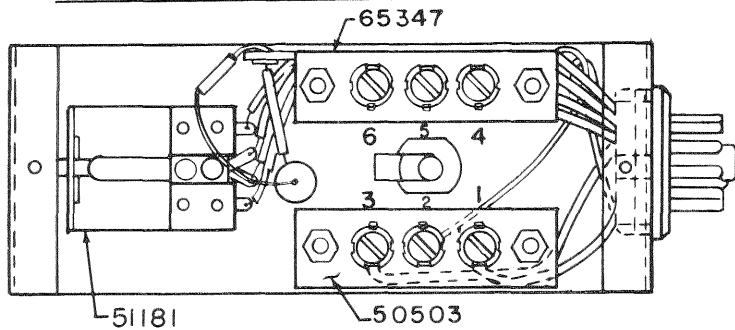


FIGURE-1

CHASSIS PAN ASSEMBLY

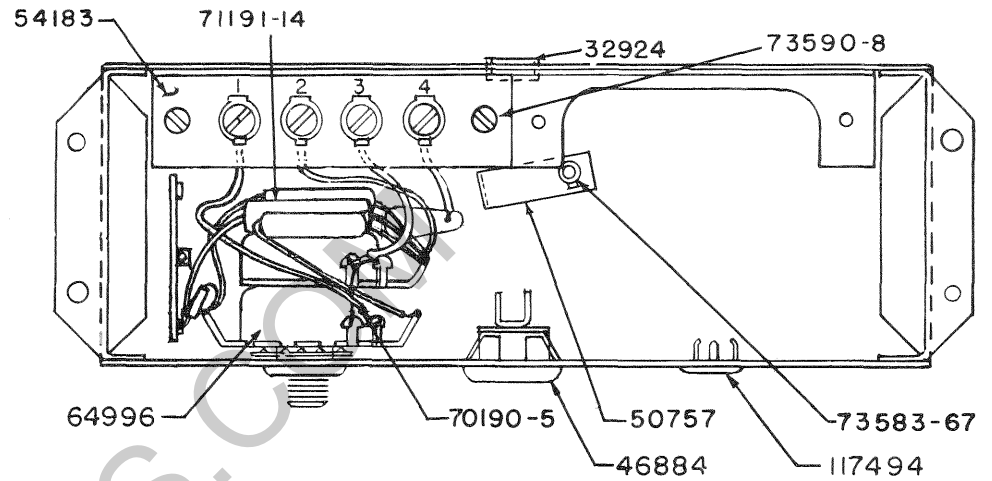


FIGURE-2

BOX, PLUG AND RELAY ASSEMBLY

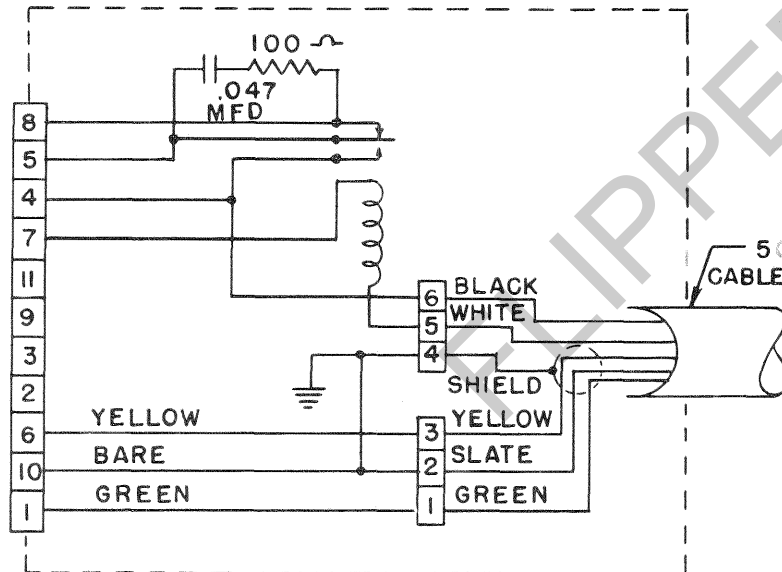


FIGURE-3

CHASSIS PAN ASSEMBLY

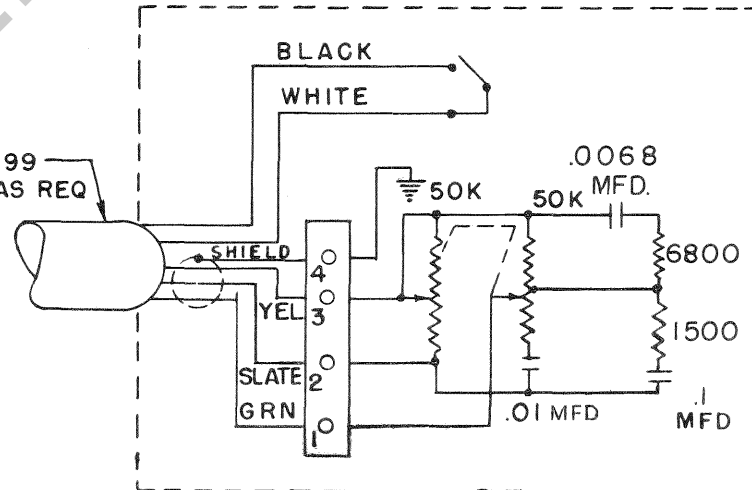


FIGURE-4

BOX, PLUG AND RELAY ASSEMBLY

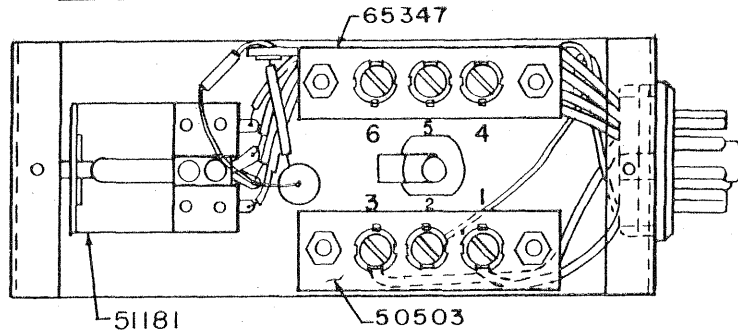


FIGURE-1

CHASSIS PAN ASSEMBLY

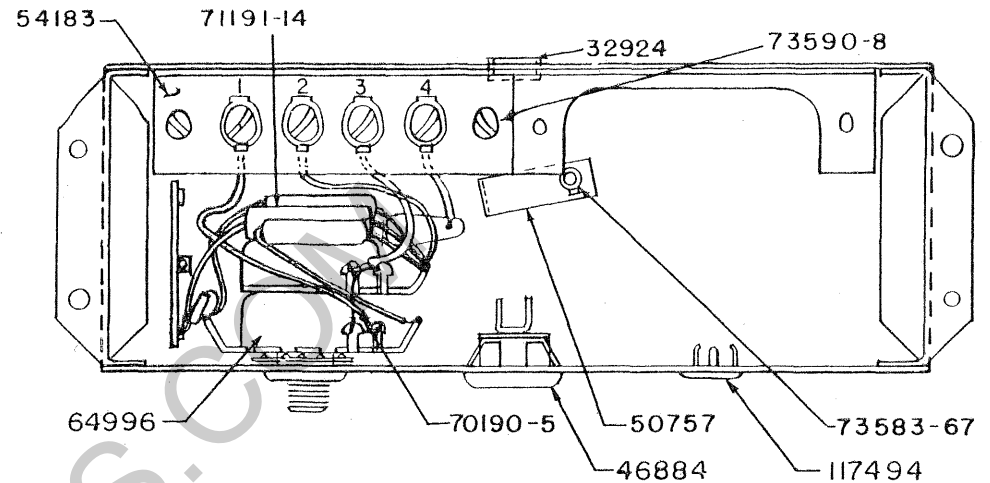


FIGURE-2

BOX, PLUG AND RELAY ASSEMBLY

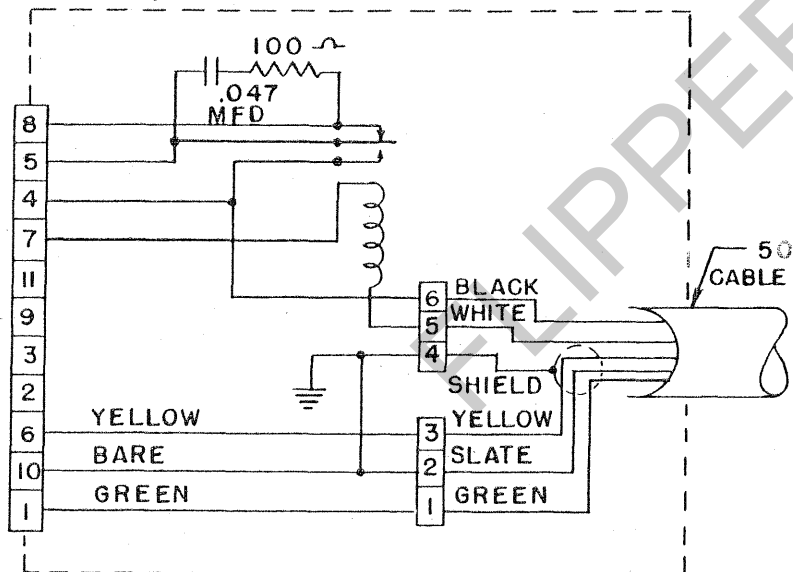


FIGURE-3

CHASSIS PAN ASSEMBLY

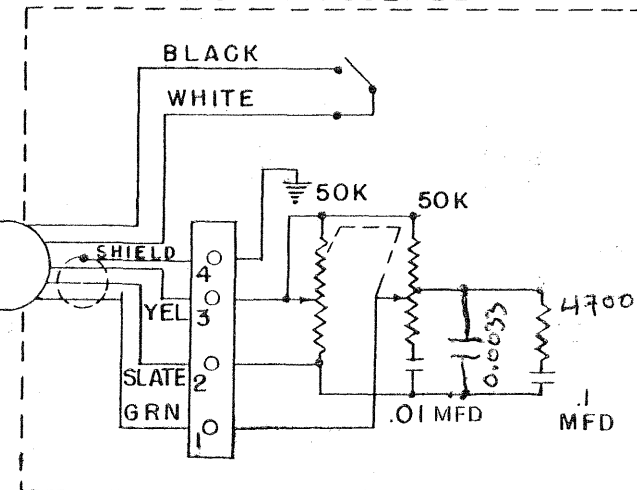


FIGURE-4