

INSTALLATION INSTRUCTIONS
Kit 230, Part Number 139051
Wurlitzer Alarm System
Wurlitzer Model 3600, 3700, 7500, 7500A Series Phonographs

MATERIALS REQUIRED

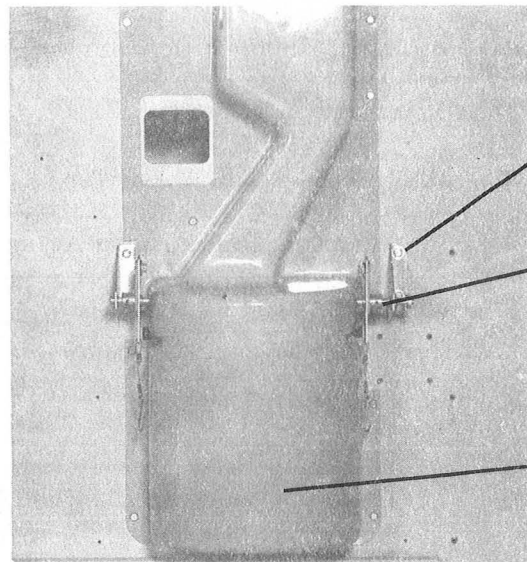
1 - 139052	Mounting Bracket and Actuator Assembly
1 - 139061	Shaft and Adjustment Lever Assembly
1 - 74976-24	Screw, 6-32 x 3/8, HEX. Type F
1 - 139075	Mounting Bracket, Shaft
8 - 76267-21	Screw, 8 x 5/8, HEX. A
1 - 139113	Pin
1 - 73724-18	Retaining Ring
1 - 139131	Lower Support Bracket and Pad Assembly
2 - 77498-34	Screw, 8-32 x 1/4 HEX. SWAGE
1 - 130036	Trumpet
1 - 139037	Power Can
1 - 139108	Lock Strike
1 - 139079	Installation Instructions

NOTE

Kit 230 may contain Template, Part No. 139426. This Template was included as an aid in laying out the holes for mounting Kit 230. Since the Cabinet has been pre-drilled to accommodate the installation of Kit 230, this Template is not required.

To install Kit 230 in Model 3600, 3700, 7500 and 7500A Series Phonographs, perform the following:

1. Remove Service Door from Phonograph.
2. Remove and retain Wing Nuts securing Record Changer to Chassis Rail and Gusset Assemblies.
3. Pull Record Changer forward and raise to service position.
4. Remove Cash Box Door and Coin Bag from Phonograph.
5. Remove Screw, Part No. 74976-24, securing Hub, Cable and Sleeve Assembly to Shaft Lever and Adjustment Lever, Part No. 139061, and remove Hub, Cable and Sleeve Assembly.
6. Install shaft of Shaft and Adjustment Lever Assembly through holes in Cash Box Housing as shown in Figure 1.
7. Secure Mounting Bracket of Shaft and Adjustment Lever Assembly to Phonograph Cabinet using two Screws, Part No. 76267-21, as shown in Figure 1.
8. Reinstall Hub, Cable and Sleeve Assembly on shaft of Shaft and Adjustment Lever Assembly as shown in Figure 2.

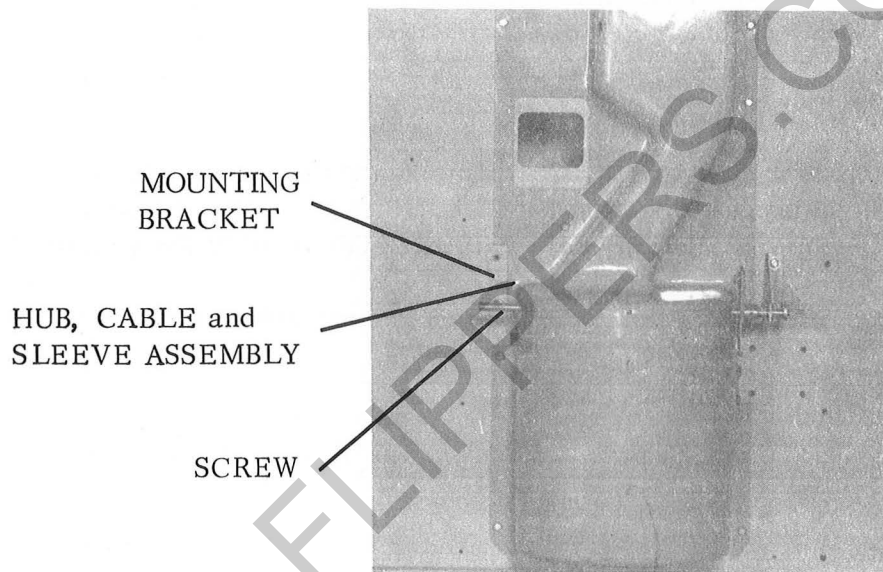


MOUNTING
BRACKET

SHAFT and ADJUSTMENT
LEVER ASSEMBLY

CASH BAG
HOUSING

Figure 1.



MOUNTING
BRACKET

HUB, CABLE and
SLEEVE ASSEMBLY

SCREW

Figure 2.

9. Install Mounting Bracket, Part No. 139075, on shaft of Shaft and Adjustment Lever Assembly and secure to Phonograph Cabinet using two Screws, Part No. 76267-21, as shown in Figure 2.
10. Secure Hub, Cable and Sleeve Assembly to shaft of Shaft and Adjustment Lever Assembly with Screw, Part No. 74976-24, removed in Step 5, as shown in Figure 2.
11. Feed "S" Hooks of Hub, Cable and Sleeve Assemblies through holes in Coin Bag Housing and attach to Cash Box Door Frame using holes provided for this purpose. Securely close ends of both "S" Hooks.
12. Install Mounting Bracket and Actuator Assembly, Part No. 139052, in Phonograph Cabinet, as shown in Figure 3, and secure with four Screws, Part No. 76267-21.

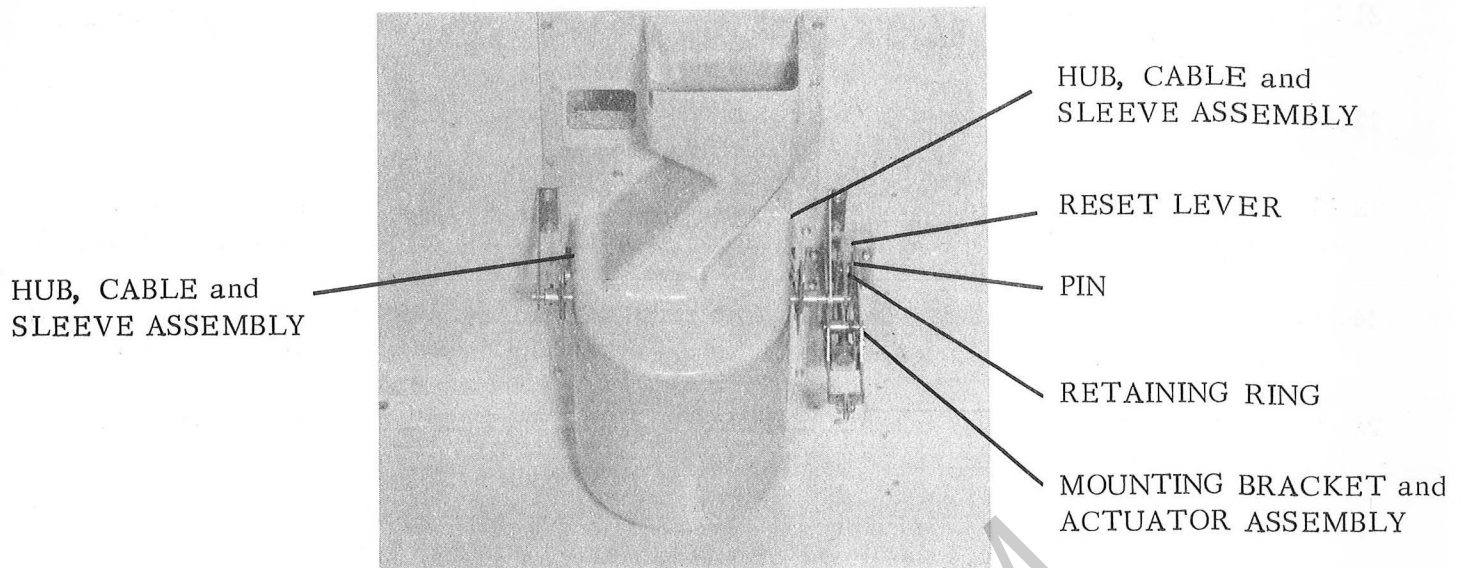


Figure 3.

13. Install Pin, Part No. 139113, in links of Shaft and Adjustment Lever Assembly and Mounting Bracket and Actuator Assembly and secure with Retaining Ring, Part No. 72724-18, as shown in Figure 3.
14. Install Lower Support Bracket and Pad Assembly, Part No. 139131, on Right Hand Chassis Rail and Gusset Assembly, in Model 3600 and 3700 Series Phonographs, as shown in Figure 4. Secure with two Screws, Part No. 77498-34. Do not tighten Screws at this time.

NOTE

In Model 7500 and 7500A Phonographs, mount the Lower Support Bracket and Pad Assembly to the Mounting Bracket located directly in front of the Coin Bag Housing.

15. Verify that Trumpet, Part No. 130036, conforms to the details outlined in Figure 5. Should Trumpet not conform to Figure 5 it must be cut to the dimensions shown in Figure 5 prior to installing Trumpet in Mounting Bracket and Actuator Assembly.
16. Loosen Trumpet Locking Screw shown in Figure 4, then verify that Actuator of Mounting Bracket and Actuator Assembly has been reset.
17. Install Trumpet in Mounting Bracket and Actuator Assembly as shown in Figure 4. Do not tighten Trumpet Locking Screw at this time.
18. Screw Power Can, Part No. 139037, on Trumpet as shown in Figure 4.
19. Firmly seat Trumpet in Mounting Bracket and Actuator Assembly, then tighten Trumpet Locking Screw.
20. Press Lower Mounting Bracket and Pad Assembly to bottom of Power Can and tighten Mounting Screws.

21. Remove and discard Lock Strike from Cash Box Door and install new Lock Strike, Part No. 139108.
22. Reinstall Coin Bag and Cash Box Door in Phonograph.
23. Adjust Cable and Sleeve Assemblies as necessary to provide sufficient tension between Cash Box Door Frame and Cable and Sleeve Assemblies. Refer to Figure 3.
24. To test Alarm, trip left hand Hub, Cable and Sleeve Assembly to activate Alarm, then immediately reset by pushing Reset Lever away from Trumpet. Refer to Figure 3.
25. Reinstall Service Door making sure that lamp and speaker receptacles are properly connected.

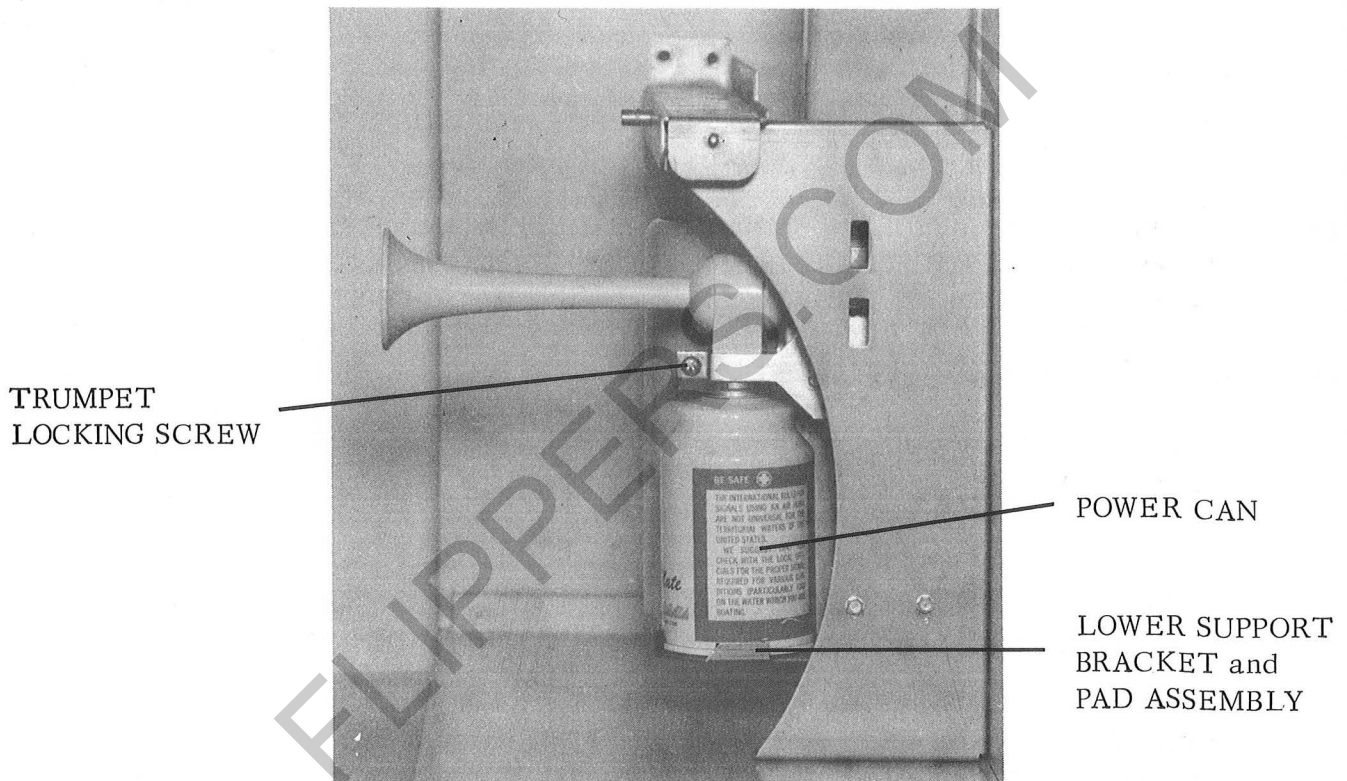


Figure 4.

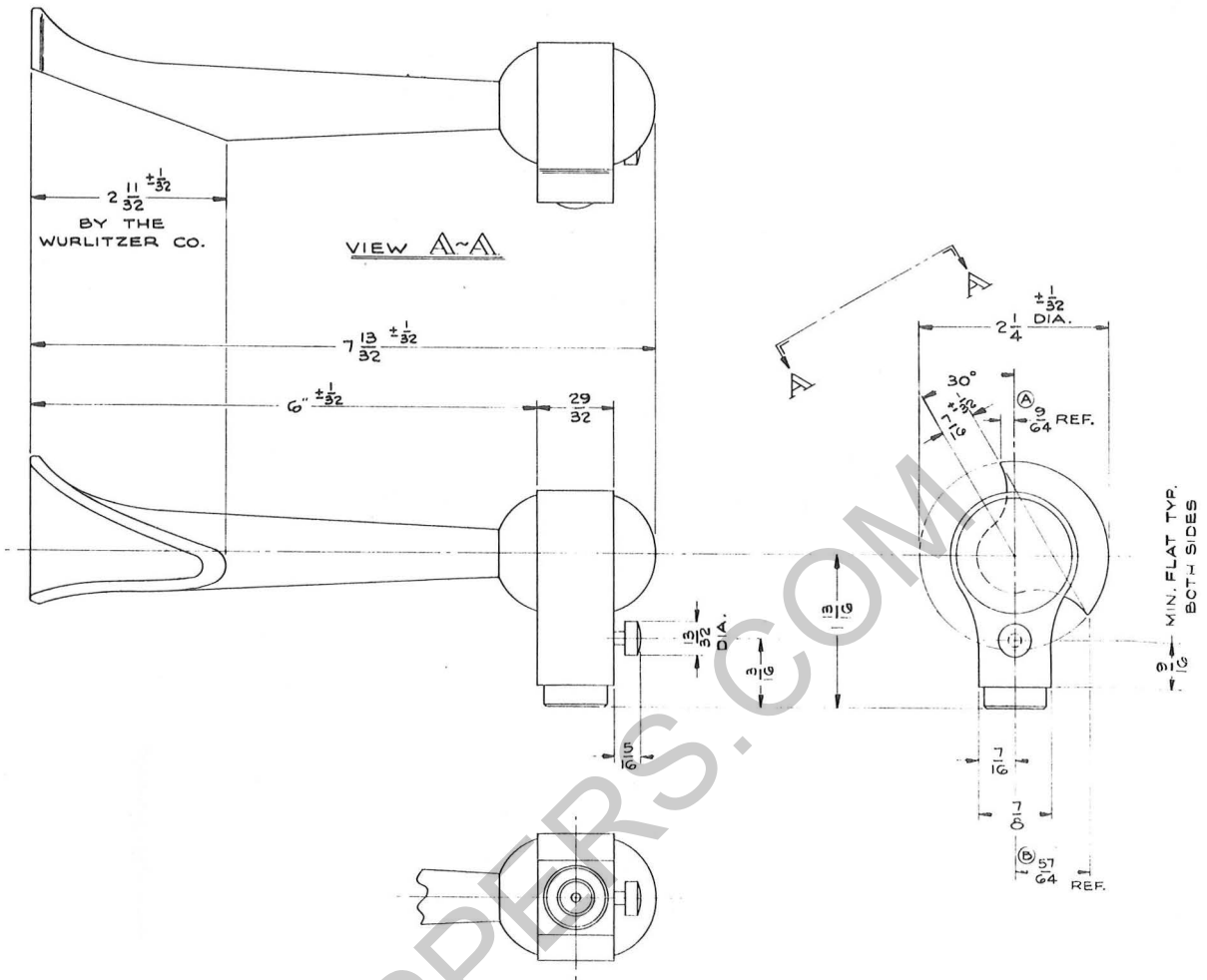


Figure 5.

FLIPPERS.COM