

INSTALLATION INSTRUCTIONS
Kit 230, Part Number 139051
Wurlitzer Alarm System
Wurlitzer Model 3600 and 7500 Series Phonographs

MATERIALS REQUIRED

1 - 139052	Mounting Bracket and Actuator Assembly
1 - 139061	Shaft and Adjustment Lever Assembly
1 - 74976-24	Screw, 6-32 x 3/8, HEX. Type F
1 - 139075	Mounting Bracket, Shaft
8 - 76267-21	Screw, 8 x 5/8 HEX, A
1 - 139113	Pin
1 - 73724-18	Retaining Ring
1 - 139131	Lower Support Bracket and Pad Assembly
2 - 77498-34	Screw, 8-32 x 1/4 HEX SWAGE
1 - 139036	Trumpet
1 - 139037	Power Can
1 - 139108	Lock Strike
1 - 139426	Template
1 - 139079	Installation Instructions

To install Kit 230 in the Model 3600 and 7500 Series Phonographs, perform the following:

1. Remove Service Door from Phonograph.
2. Remove and retain Safety Screws from Record Changer Fall Supports.
3. Remove Record Changer from Phonograph.
4. Verify that Coin Bag Housing and Cabinet have been pre-drilled for the Wurlitzer Alarm System. If pre-drilling has been accomplished, proceed to Step 18. If pre-drilling has not been accomplished, perform Steps 5 through 17.
5. Remove Right Hand Chassis Rail and Gusset Assembly. Retain Screws for reassembly.
6. Remove Coin Return Chute. Retain Clamp and Screw for reassembly.
7. Remove Coin Bag Housing from Phonograph. Retain Screws for reassembly.
8. Lay out Coin Bag Housing for pre-drilling and cut out as shown in Figure 1.
9. Drill the two 3/16 diameter holes and the two 3/8 diameter holes in Coin Bag Housing.
10. Use a coping saw or other suitable cutting instrument and cut out areas A and AA of Coin Bag Housing as shown in Figure 1.
11. After completion of cutting operation remove all burrs from Coin Bag Housing.
12. Remove Cash Box Door from Phonograph.
13. Remove Catch Plate from Phonograph Cabinet. Retain for reassembly.
14. Position Template, Part No. 139426, on right hand of Phonograph Cabinet and match centers marked "A" to existing holes in Cabinet. Secure Template to Cabinet using five screws as shown in Figure 2.
15. Center punch the ten mounting holes marked "B" on Template, then remove Template from Cabinet.
16. Reinstall Catch Plate, removed in Step 13, in Phonograph Cabinet as shown in Figure 3.
17. Reinstall Cash Bag Housing in Phonograph Cabinet as shown in Figure 4.
18. Remove Screw, Part No. 74976-24, securing Hub, Cable and Sleeve Assembly to Shaft and Adjustment Lever Assembly, Part No. 139061, and remove Hub, Cable and Sleeve Assembly.
19. Install shaft of Shaft and Adjustment Lever Assembly through holes in Cash Box Housing as shown in Figure 4.

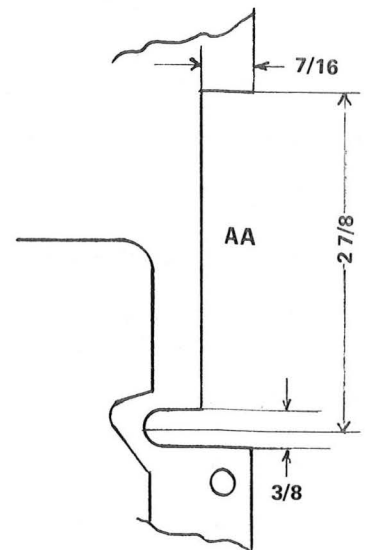
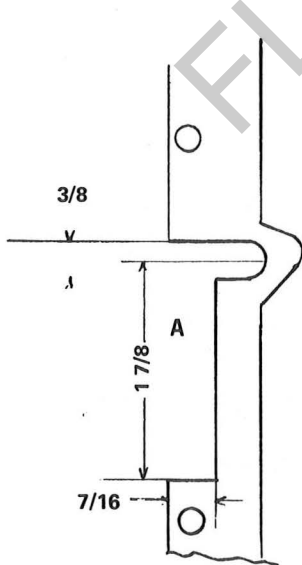
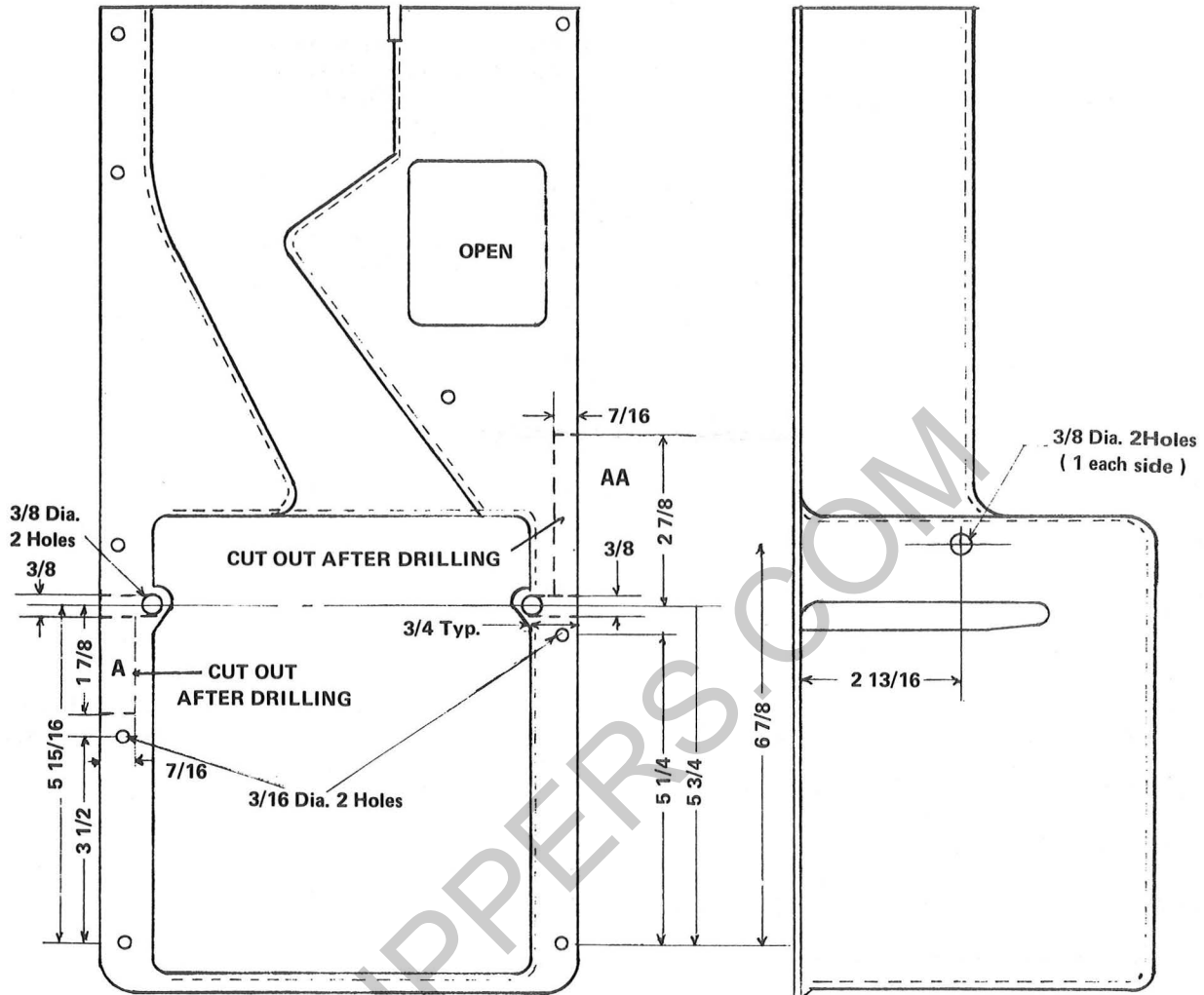


Figure 1.

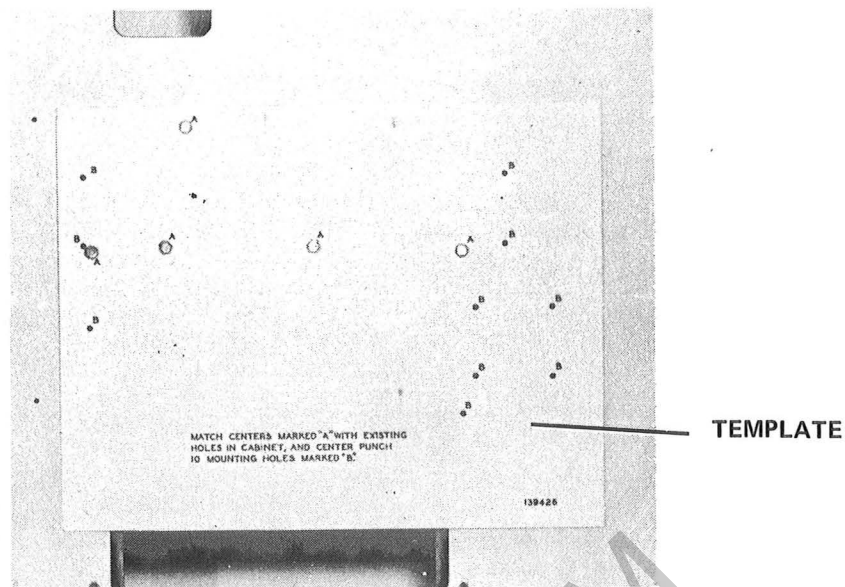


Figure 2.

20. Secure Mounting Bracket of Shaft and Adjustment Lever Assembly in Phonograph Cabinet with two Screws, Part No. 76267-21, as shown in Figure 4.
21. Reinstall Hub, Cable and Sleeve Assembly on shaft of Shaft and Adjustment Lever Assembly as shown in Figure 5.
22. Position Mounting Bracket, Part No. 139075, on Phonograph Cabinet and secure with two Screws, Part No. 76267-21, as shown in Figure 5.
23. Secure Hub, Cable and Sleeve Assembly to shaft of Shaft and Adjustment Lever Assembly with Screw, Part No. 74976-24, removed in Step 18, as shown in Figure 5.
24. Feed "S" Hooks of Hub, Cable and Sleeve Assembly through holes in Coin Bag Housing and attach to Cash Box Door Frame using holes provided. Securely close ends of both "S" Hooks.
25. Position Mounting Bracket and Actuator Assembly, Part No. 139052, on Phonograph Cabinet as shown in Figure 6. Secure with four Screws, Part No. 76267-21.
26. Install Pin, Part No. 139113, in links of Shaft and Adjustment Lever Assembly and Mounting Bracket and Actuator Assembly and secure with Retaining Ring, Part no. 73724-18, as shown in Figure 6.

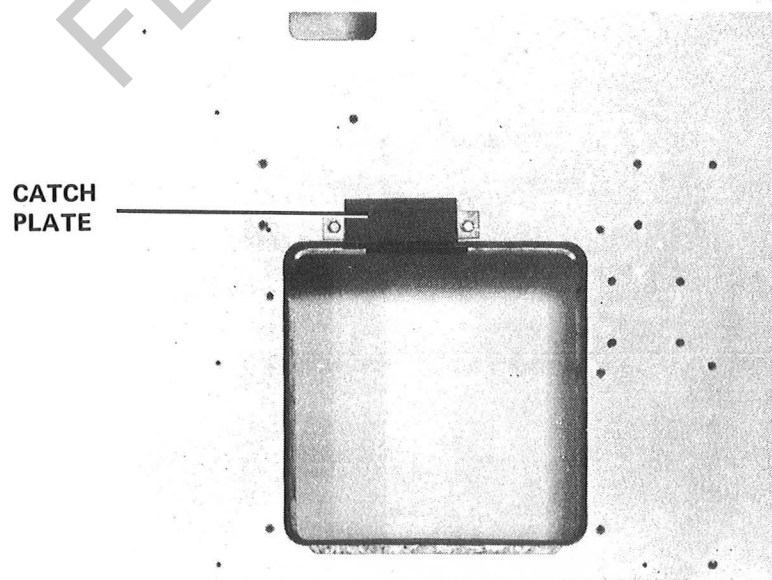


Figure 3.

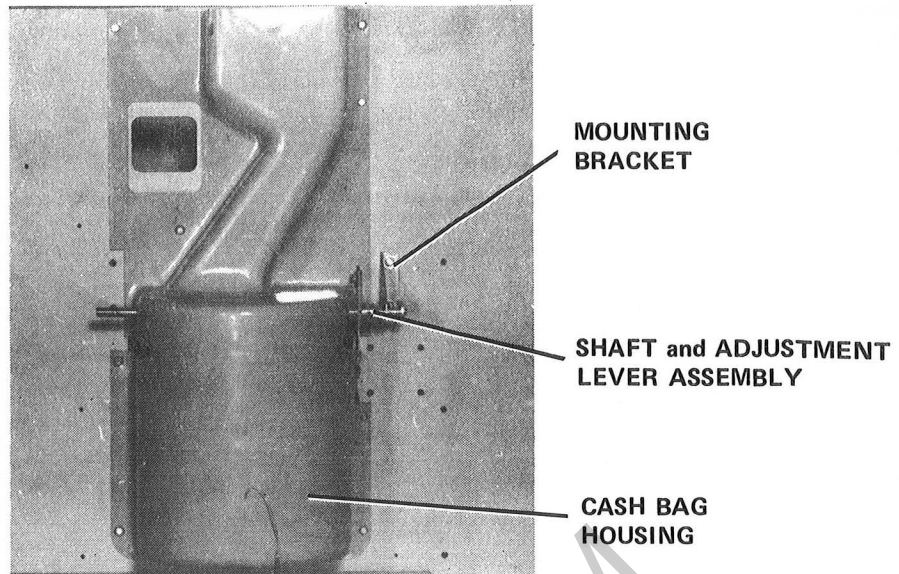


Figure 4.

27. Reinstall Right Hand Chassis Rail and Gusset Assembly in Phonograph Cabinet.
28. Install Lower Support Bracket and Pad Assembly on Right Hand Chassis Rail and Gusset Assembly, in Model 3600 Phonographs, as shown in Figure 7. Secure with two Screws, Part No. 77498-34. Do not tighten Screws at this time.

NOTE

In Model 7500 Phonographs mount the Lower Support Bracket and Pad Assembly to the Mounting Bracket located directly in front of the Coin Bag Housing.

29. Loosen Trumpet Locking Screw and install Trumpet, Part No. 139036, in Mounting Bracket and Actuator Assembly as shown in Figure 5. Do not tighten Trumpet Locking Screw at this time.
30. Verify that Actuator of Mounting Bracket and Actuator Assembly has been reset, then screw Power Can, Part No. 139037, on Trumpet as shown in Figure 7.
31. Firmly seat Trumpet in Mounting Bracket and Actuator Assembly, then tighten Trumpet Locking Screw.
32. Press Lower Mounting Bracket and Pad Assembly to bottom of Power Can and tighten Mounting Screws.
33. Remove and discard Lock Strike from Cash Box Door and install new Lock Strike, Part No. 139108.

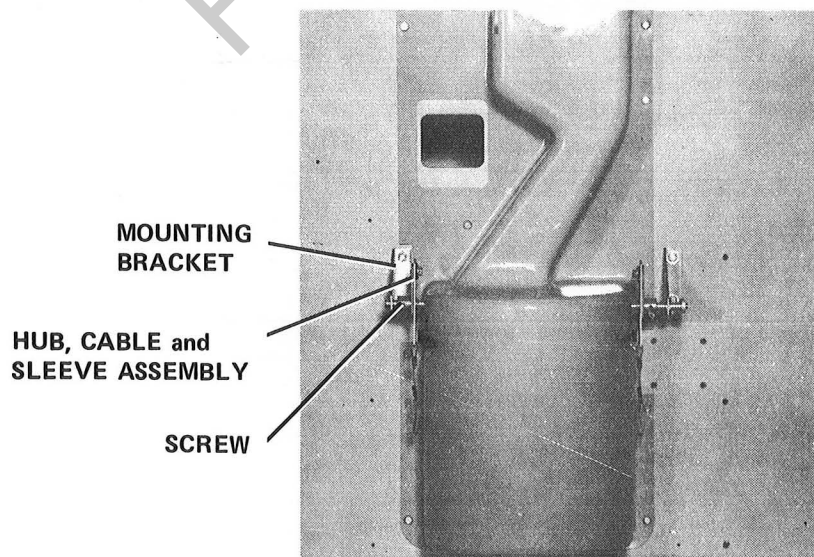


Figure 5.

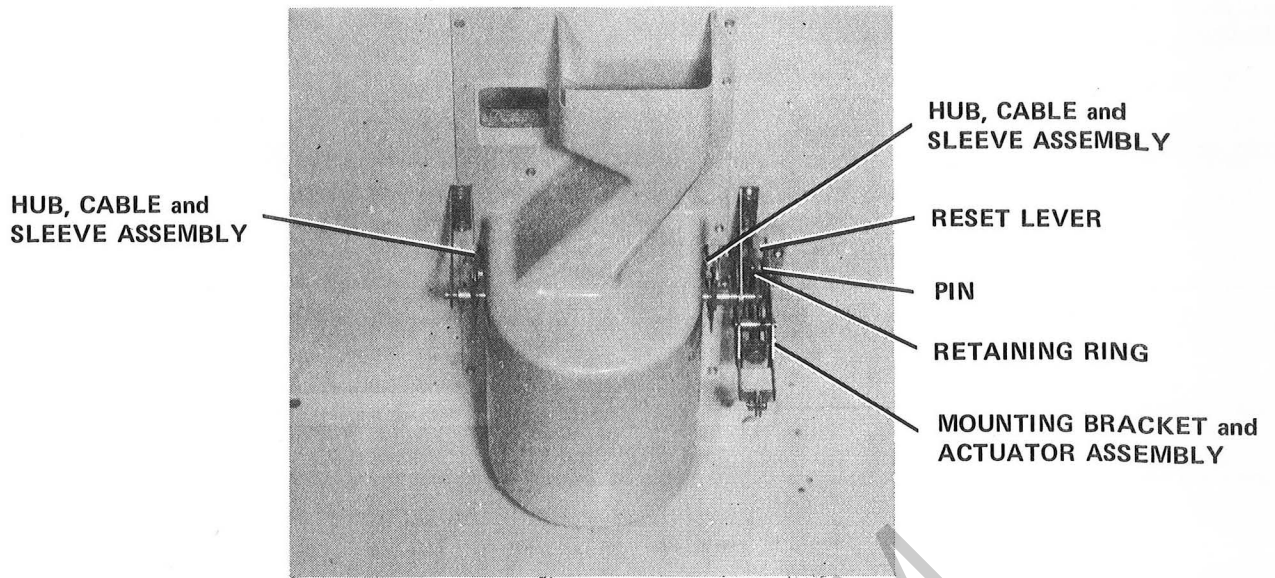


Figure 6.

34. Install Cash Box Door in Phonograph.
35. Adjust Cable and Sleeve Assemblies as necessary to provide sufficient tension between Cash Box Door Frame and Cable and Sleeve Assemblies, Refer to Figure 6.
36. To test Alarm, trip left hand Hub, Cable and Sleeve Assembly to activate Alarm, then immediately reset by pushing Reset Lever away from Trumpet. Refer to Figure 6.
37. Reinstall Record Changer in Phonograph and reinstall Safety Screws in Record Changer Fall Support.
38. Reinstall Service Door.

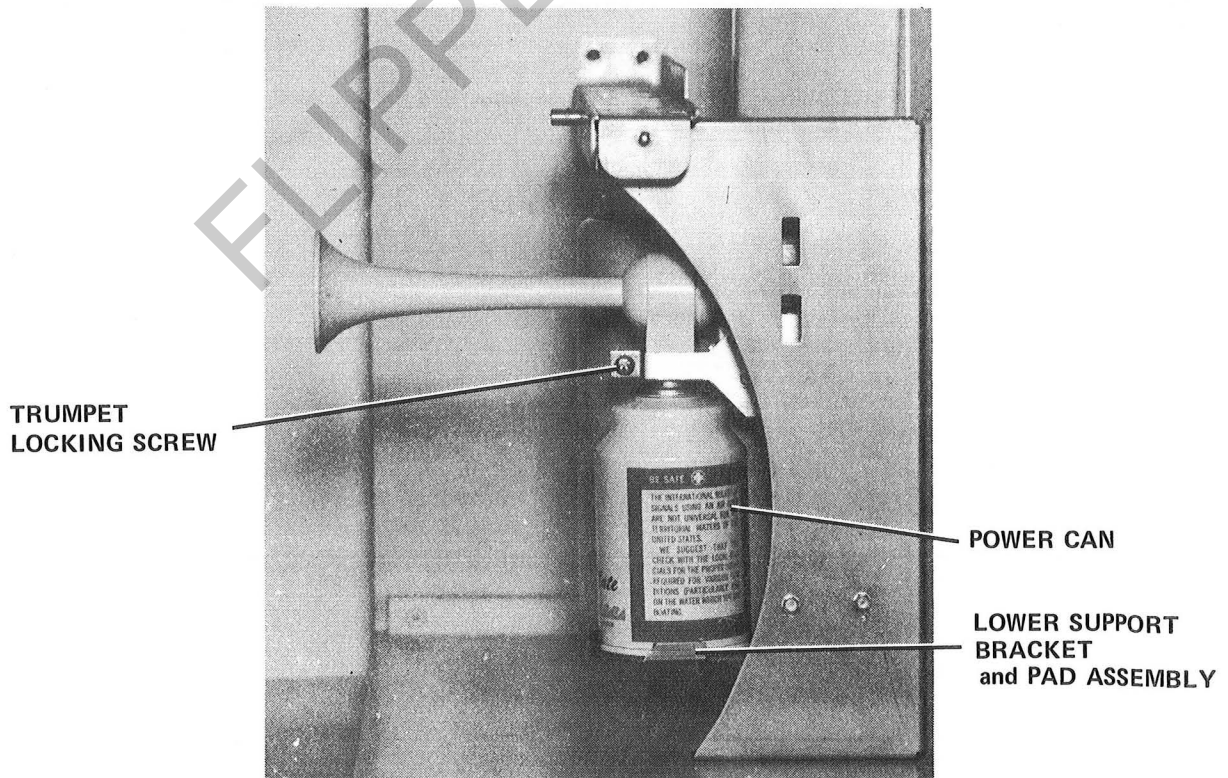


Figure 7.

FLIPPERS.COM