



WURLITZER SERVICE SLANTS

YOUR QUESTIONS OR COMMENTS ON "SERVICE SLANTS" ARE WELCOME AT ANY TIME

WURLITZER SERVICE DEPT., NORTH TONAWANDA, N. Y.

SUBJECT: All -4 and -7 3500, 3510 and 3560 Series Phonographs shipped from the Factory prior to the following Serial Numbers:

- 3500 - 761900
- 3510 - 770862
- 3560 - 774706

COMPLAINT:

1. Play Counter hanging up on half cycle.
2. On Phonographs equipped with 4 Quarter Credit Accumulator, Dollar Relay (RY-44) may not release causing an additional four credits to be established on Playrak.

CAUSE: High resistance path through Play Counter and arc-suppression circuit for Cancel Solenoid was providing low voltage of sufficient magnitude to keep Dollar Relay (RY-44) activated allowing an additional four credits to be established through the 75 Cent Coil. This path also provided current of sufficient magnitude to hang up Play Counter.

REASON FOR CHANGE: To eliminate the low voltage on the Dollar Relay (RY-44) and the erroneous current flow through the Play Counter thus providing proper operation of Credit Accumulator and Play Counter.

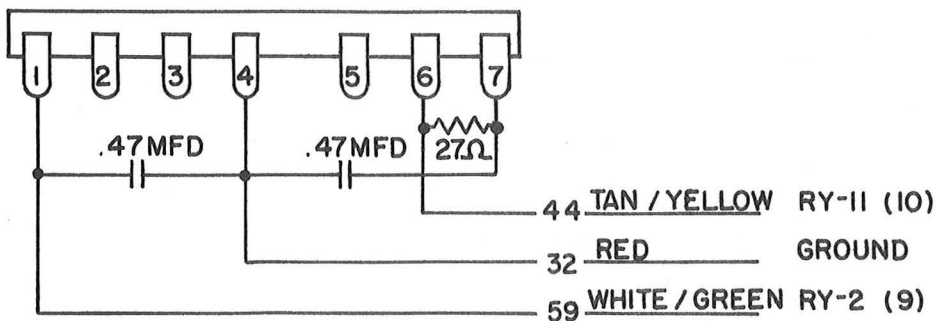
NOTE

Some Phonographs, equipped with the Four Quarter Credit Accumulator, shipped prior to the above quoted Serial Numbers, have this wiring change incorporated. However it is recommended that all Junction Boxes be checked and this change be incorporated, whether or not the above complaint is apparent, to preclude the possibility of said complaint developing.

PROCEDURE: To change Junction Box wiring, perform the following:

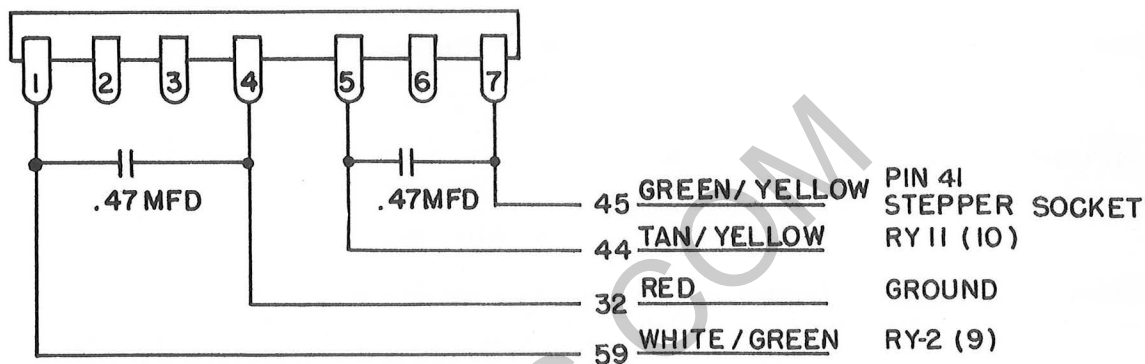
1. Unsolder and remove the 27 ohm Resistor located between terminals 6 and 7 as shown in Figure 1. Discard Resistor.

FIGURE 1



2. Unsolder and remove Tan/Yellow wire from Terminal 6, shown in Figure 1, and connect this wire to terminal 5 as shown in Figure 2. Do not solder at this time.
3. Remove lead of .47 mfd Capacitor connected between terminals 4 and 7, as shown in Figure 1, from terminal 4. A Red Wire and another .47 mfd Capacitor lead are also connected to this terminal. Do not remove these.
4. Connect lead of .47 mfd Capacitor, removed in Step 3, to terminal 5 as shown in Figure 2. Solder capacitor lead and Tan/Yellow wire connection.

FIGURE 2



5. Connect a suitable length of 22 A.W.G. wire, Green/Yellow, between .47 mfd Capacitor (terminal 7) and Pin 41 of Stepper Socket. Solder both connections.

NOTE

This wiring change places the .47 mfd Capacitor directly across the Cancel Solenoid circuit (44-45).

All -4 and -7 3500, 3510 and 3560 Series Phonographs shipped from the factory after Serial Numbers listed under SUBJECT will have this wiring change incorporated.