



# SERVICE SLANTS

YOUR QUESTIONS OR COMMENTS ON "SERVICE SLANTS" ARE WELCOME AT ANY TIME

ISSUED BY WURLITZER SERVICE DEPT., NORTH TONAWANDA, N. Y.

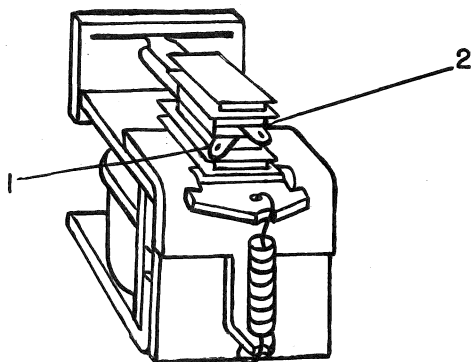
April 2, 1948

TO ALL WURLITZER DISTRIBUTORS

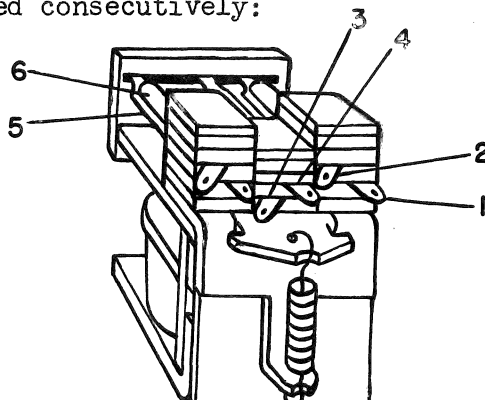
SUBJECT: Method of Numbering Relay Contacts

The following system of numbering relay contacts has been used on all current models of Wurlitzer Phonographs and Remote Equipment.

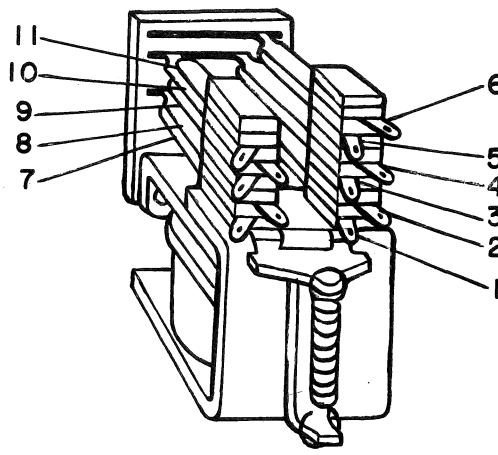
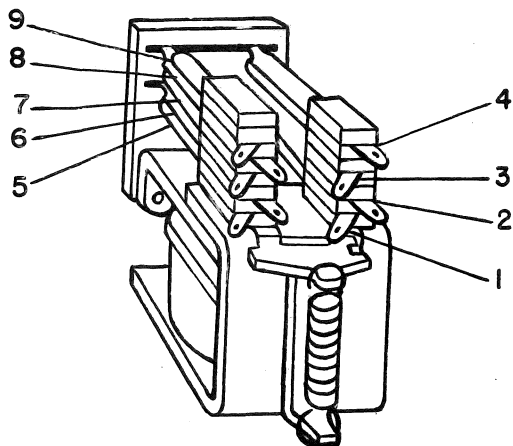
Looking at the rear or "heel" of the relay, with coil or armature at bottom, and reading from bottom to top of each stack, in order from right to left, the contacts are numbered consecutively:



SINGLE STACK



TRIPLE STACK



DOUBLE STACK