



SERVICE SLANTS

YOUR QUESTIONS OR COMMENTS ON "SERVICE SLANTS" ARE WELCOME AT ANY TIME

ISSUED BY WURLITZER SERVICE DEPT., NORTH TONAWANDA, N. Y.

MODEL 1100

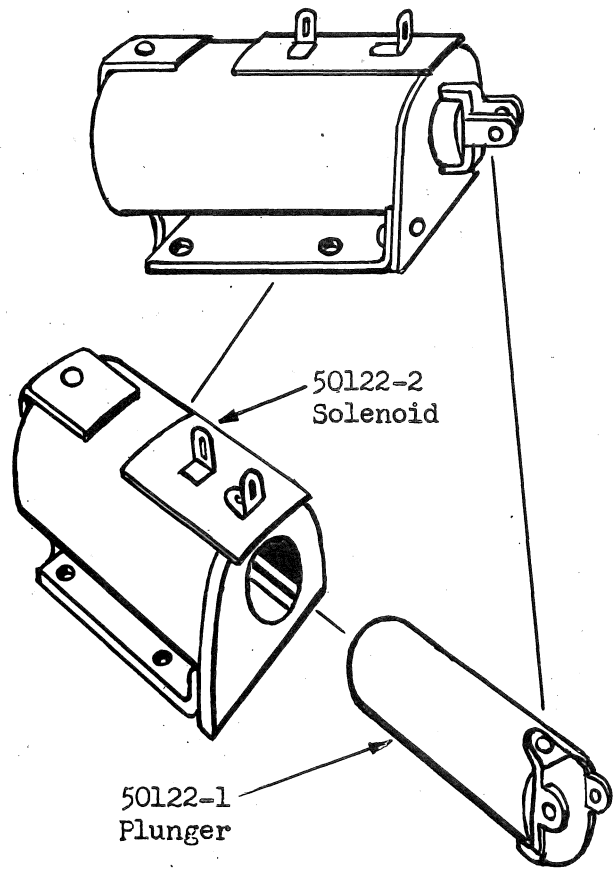
LINK AND CANCEL SOLENOID ASSEMBLY - PART NO. 50276

The specifications for the Model 1100 indicate two types of cancel solenoids, (#50276 and #49733), pictured on Page 6 in the Parts Section of the Service Manual. We wish to advise that all Model 1100's are equipped with 50276 and that 49733 was never used.

We receive an occasional order for a part of this assembly which is not pictured separately in the catalog. Therefore, we are assigning part numbers to the Solenoid Only, Plunger Only, Rivet, Spacer and Link. These items will be stocked individually.

You will note we have marked this Service Slant as "Page 6-A" and suggest it be inserted in the Parts Catalog to be convenient when referring to this Assembly.

50122 - Solenoid and Plunger



50276 - Link and Cancel Solenoid Assembly

