



SERVICE SLANTS

YOUR QUESTIONS OR COMMENTS ON "SERVICE SLANTS"
ARE WELCOME AT ANY TIME

ISSUED BY WURLITZER SERVICE DEPT., NORTH TONAWANDA, N. Y.

Models 4820 and 3025 Wall Boxes

TRANSFORMER REPLACEMENT

In cases where replacement of transformer, Part No. 47098, becomes necessary, a different transformer, Part No. 54845, will be supplied. The connection of the transformer will differ as follows:

1. Model 4820

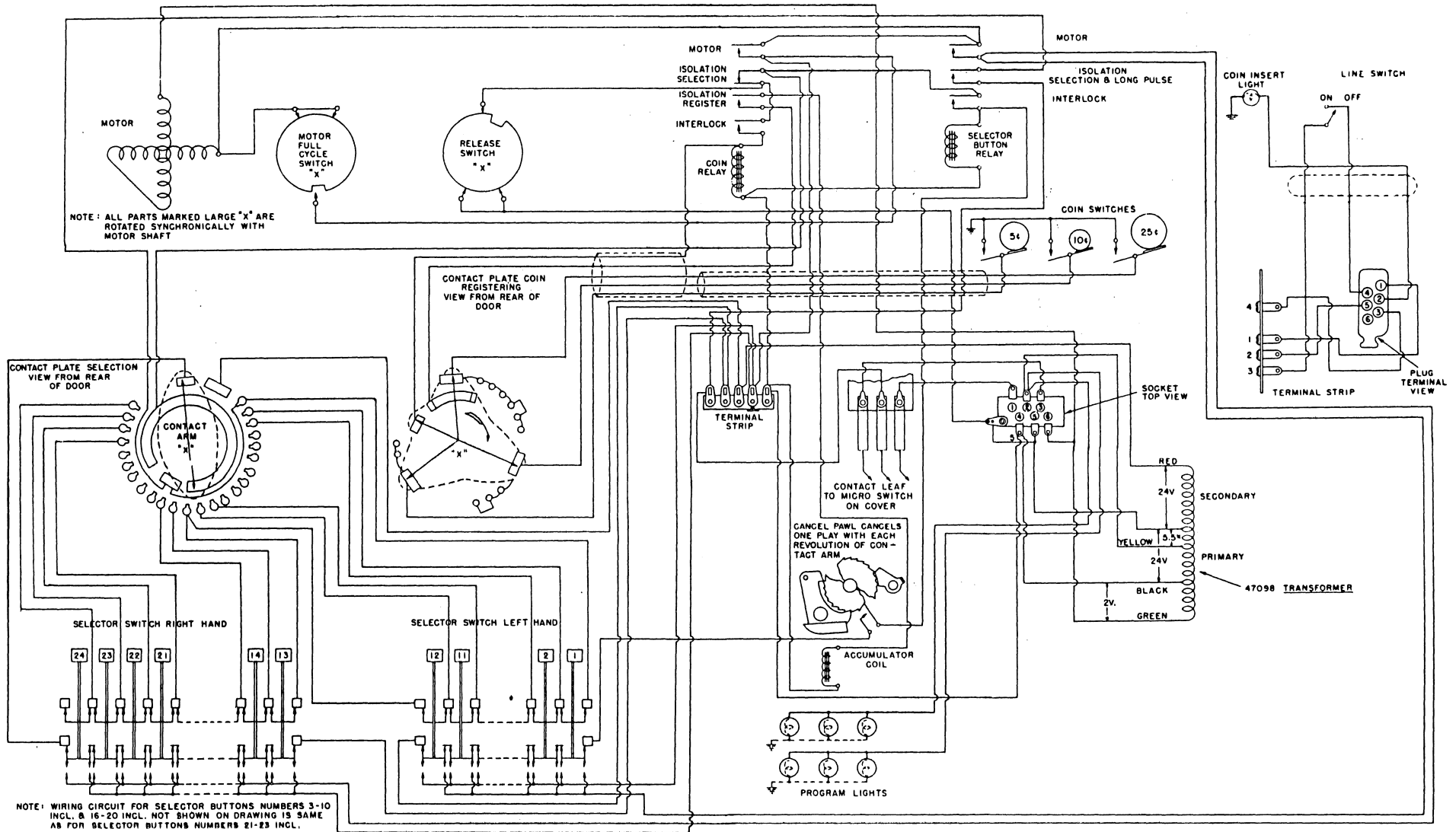
The 26 Volt motor circuit which is nominally the green lead from the transformer will be connected to the No. 6 lug of the disconnect socket and the motor lead (only) will be removed from No. 4 lug and joined with the transformer 26 Volt lead at the No. 6 lug of the disconnect socket. The two 24 Volt circuits and the 5 Volt circuit will be connected as they were previously for selection and lighting operations.

2. Model 3025

In cases where transformer, Part No. 54845, is used for replacement, the 26 Volt (nominally) green lead (only) will be connected to the motor. The two 24 Volt circuits and the 5 Volt circuit will be connected as previously for selection and lighting operations.

The schematic wiring diagram on page 2 illustrates the correct use of the circuits.

WIRING DIAGRAM MODEL 4820 WALL BOX - 4 WIRE - 5-10-25¢ 24V-60 CY.



PART NO.	NAME	PART NO.	NAME	PART NO.	NAME	PART NO.	NAME
45017	SELECTOR SWITCH R. H.	48779	TERMINAL STRIP	45483	SELECTOR BUTTON RELAY	45790	ACCUMULATOR SWITCH
45018	SELECTOR SWITCH L. H.	45531	SOLDERING LUG 2 REQUIRED	54186	MOTOR	45663	ACCUMULATOR COIL
45764	LINE SWITCH	45986	LIGHT SOCKET	45671	SWITCH-PLATE ASSEMBLY	48772	SOCKET ASSEMBLY 6 PRONG
45389	COIN SWITCH	45970	LIGHT SOCKET	45830	CONTACT-PLATE-COIN REG.	46054	PLUG ASSEMBLY 6 PRONG
54172	TERMINAL STRIP	45985	PROGRAM LIGHT BULB	45833	CONTACT PLATE-SELECTOR		
		45985	COIN INSERT LIGHT BULB	45827	CONTACT-ARM ASSEM. SEL.		
		45484	COIN RELAY	45903	CONTACT ARM ASSEM. COIN REG.		