



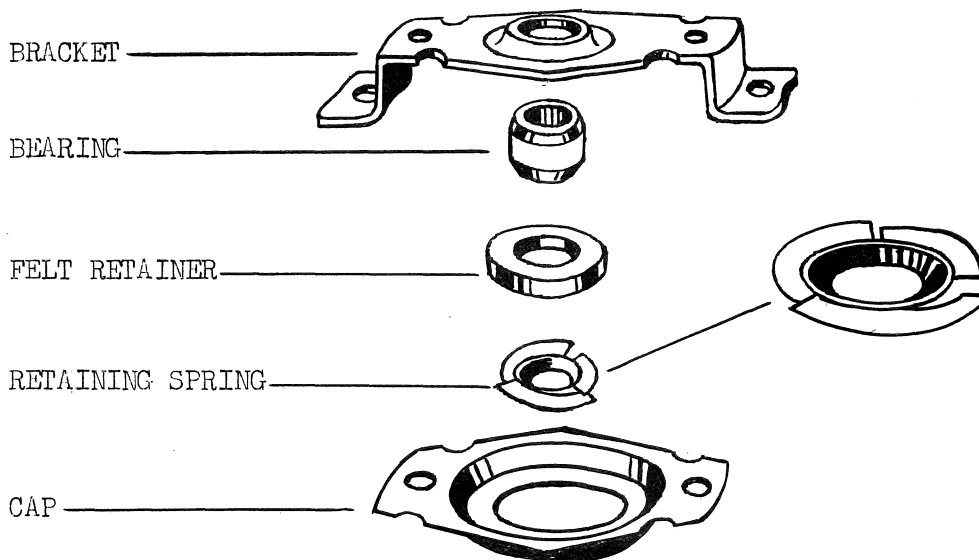
Jack Emerson

SERVICE SLANTS

YOUR QUESTIONS OR COMMENTS ON "SERVICE SLANTS" ARE WELCOME AT ANY TIME

ISSUED BY WURLITZER SERVICE DEPT. NORTH TONAWANDA, N. Y.

MODEL 1100 ENCORE SELECTOR MOTOR



A simple repair measure for Model 1100 Encore Selector Motor, Part No. 49316, has been brought to our attention. We feel this has merit worthy of being passed on to others in our field organization.

The armature rubbing the pole piece indicates possibility of worn bearing. However, drilling out rivets of the bearing bracket reveals that only the tension of the retaining spring has collapsed. It is stated this lateral freedom allows the bearing to turn with the shaft.

By raising the three ears of the retaining spring, the tension is restored, and when re-assembled, the motor is said to operate satisfactorily for an indefinite period.

This bearing and bracket assembly is also similar on 1250 and 1400 turntable motors, although the bracket itself differs.