



# SERVICE SLANTS

YOUR QUESTIONS OR COMMENTS ON "SERVICE SLANTS" ARE WELCOME AT ANY TIME

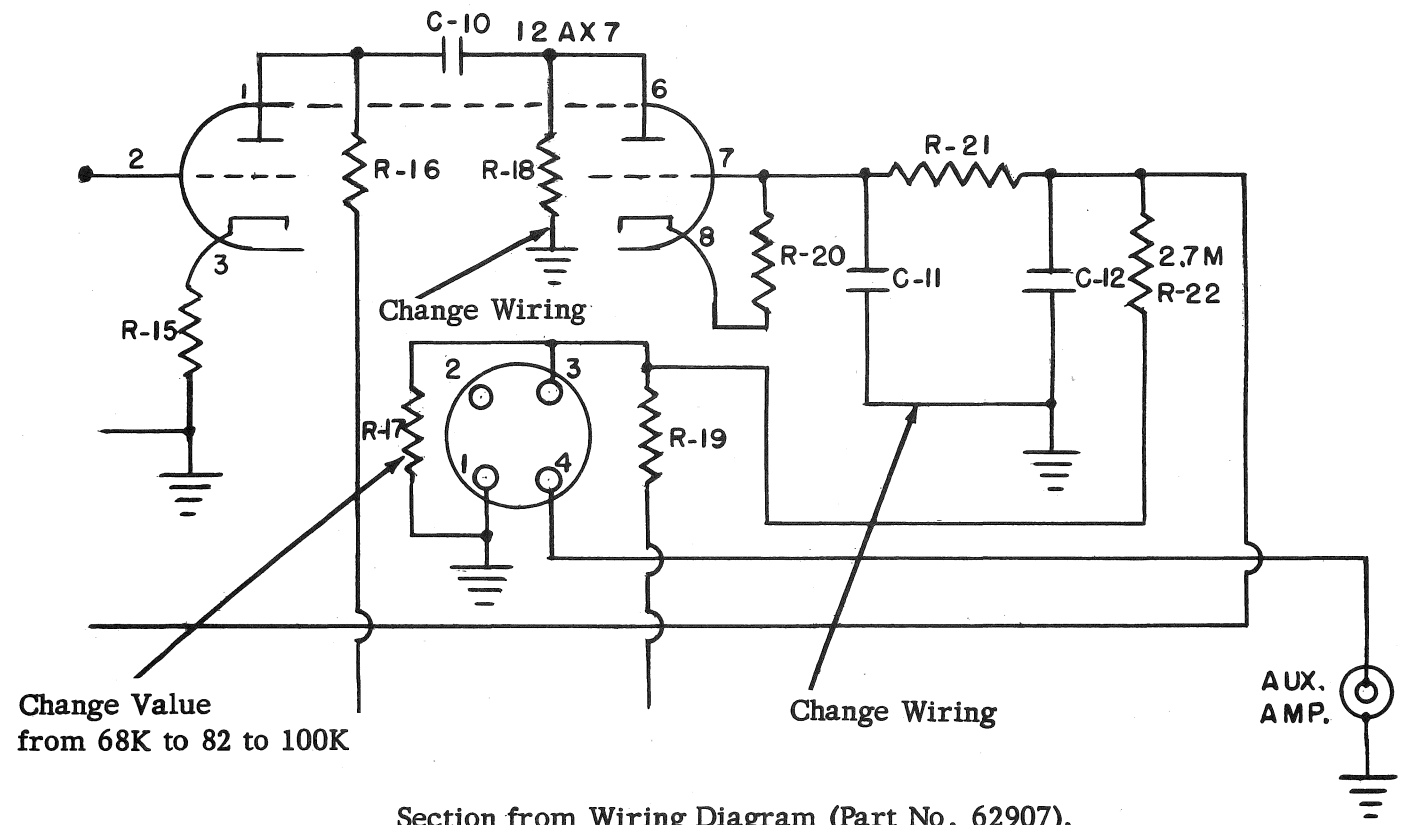
ISSUED BY WURLITZER SERVICE DEPT., NORTH TONAWANDA, N. Y.

SUBJECT: Modification of Automatic Level Control Model 528 H.F. Amplifier.

To reduce the high initial volume effect from some amplifiers, which may occur after the phonograph has been (standing by) for a considerable length of time and then put into play in one of its shortest time cycles, the following modification has been adopted:

1. After wiring changes in the "Time Constant" circuit, as indicated in the sketch below, have been completed, R-17 may be changed as desired from 68K to any where between 82 and 100K. The position of R-17 is indicated in the sketch.

Modification of Automatic Level Control Model 528 Amplifier



Section from Wiring Diagram (Part No. 62907), Page 68, Sec. 12, Service Manual 312-S.

Warning: Check this in front of where the power is on the main ground

Orange goes to Anti Short Coil

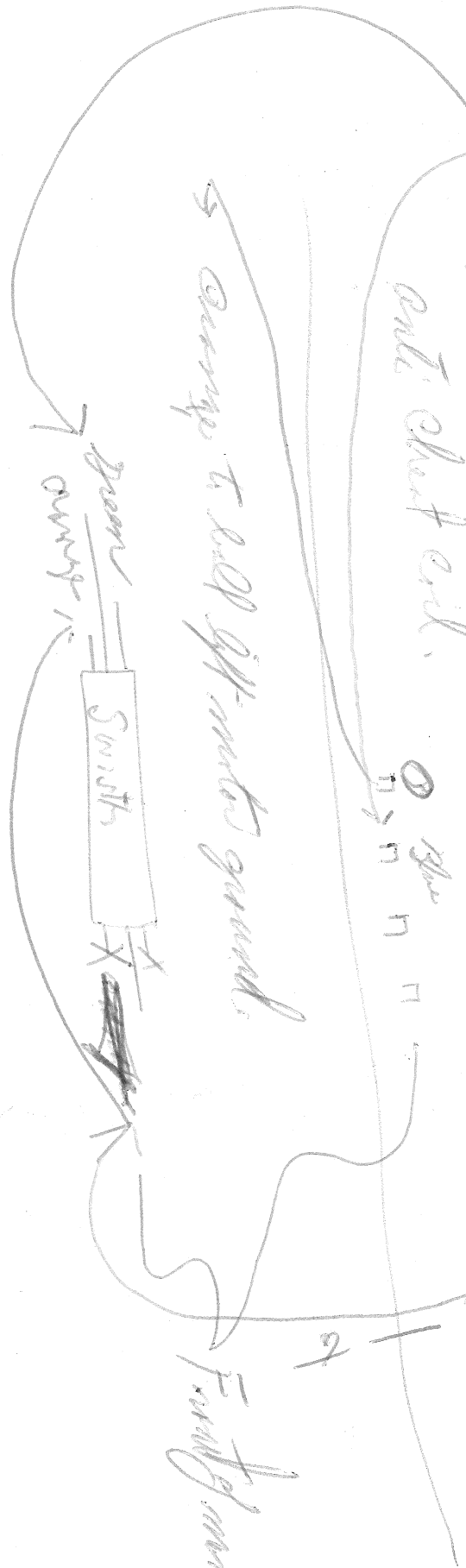
Blue goes to Reply point. A. & Reply Keypoint

Green goes to the orange + black wire. that come off of

Anti Short coil.



Orange to all pit motor grounds



Fundamental