



## Small Fully Insulated Crocodile Clip

Part Number:- 126017  
Standard Colours. Red Black Green Yellow Blue White  
Features Accepts all standard 4mm plugs

IEC 61010 Rating.  
Measurement Category. 300V CAT II  
Current Rating. 10 Amp  
Insulation Category. Double/Reinforced.  
Pollution Degree. Two (2)

Silvertronic confirm that the product(s) listed have been designed, manufactured and tested to and are therefore fully compliant to:

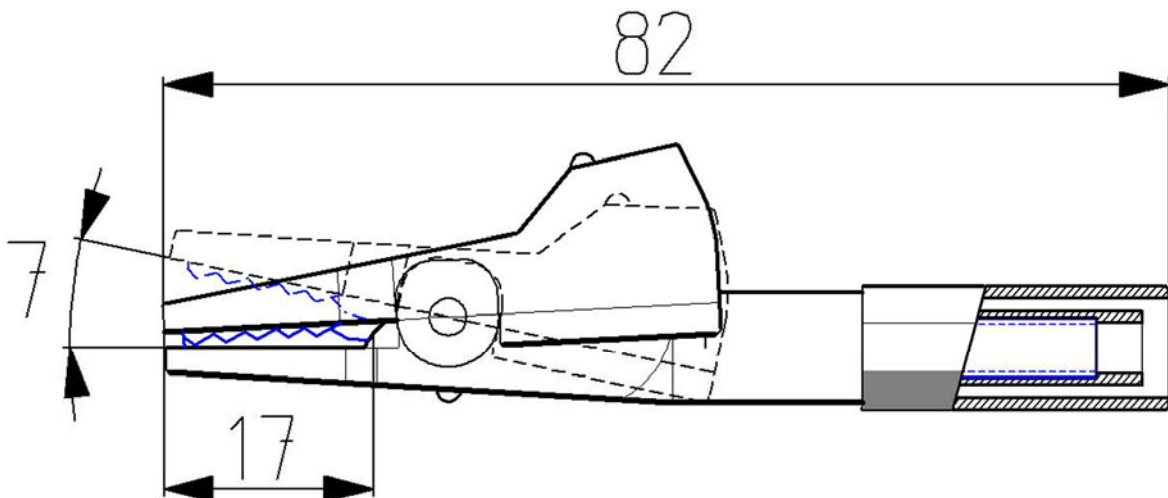
**IEC61010-031:2002 (First Edition) + Amd. 1:2008.**

Together with the corresponding UL and CSA Standards, and are subject of a CB Scheme report. All products marked as per IEC requirements. UL and CSA marking upon request.

All testing carried out by independent third party test house and CB Test Laboratory,

**MET Laboratories Inc.** Baltimore MD 21230 USA

The product(s) also meet the requirements of the Low Voltage Directive and where applicable comply with HSE GS.38.



# DECLARATION OF CONFORMITY

SILVERTRONIC Ltd. confirm that the products listed below have been Designed, Manufactured and Tested to, and therefore are fully compliant to;  
**IEC1010-1 1990 inc. Amendment 2-1995 & IEC1010-2-031 First Edition-1993**  
and thus meet **THE LOW VOLTAGE DIRECTIVE (LVD) 73/23/EEC and amending directive 93/68/EEC**

PRODUCT TYPE / DESCRIPTION				PAIR OF MINI CROCS + ADAPTOR	
PART No.				134226	
IEC1010 RATING	VOLTAGE	300	Volts	INSULATION CATEGORY	II ( 2 )

MAXIMUM RATED CURRENT	10	<b>Amps</b>
POLLUTION DEGREE	2	
INSULATION CATEGORY	DOUBLE/REINFORCED	

INCLUDES FOLLOWING ASSEMBLIES / COMPONENTS SUBJECT TO INDIVIDUAL TEST.	DESCRIPTION	PART No.
	MINI CROC. + ADAPTOR	126017



All Testing carried out by Third Party Testhouse  
**CRANAGE EMC TESTING Ltd.**  
( LVD TESTING DEPARTMENT )



www.silvertronic.com  
e-mail: sales@silvertronic.com

Registration No. 1993292

**North American Office**  
4405 Sharon Copley Road,  
Medina, Ohio, 44256.  
Toll Free: (866) 556 3308  
Facsimile: (330) 722 2281



Date  
22/12/98

Drn.By  
Steve \$

Title  
FULL SAFETY MINI-CROC. KIT

ISSUE No.

1  
22/12/98  
REDRAWN

Part No. **134226**

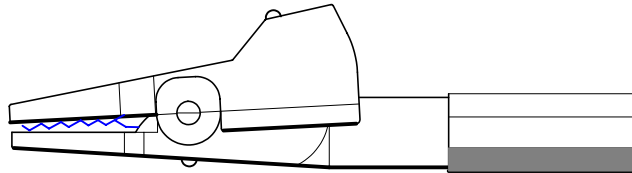
This drawing is not to be disclosed to a third party without the authority from the company.©

Scale  
FULL SIZE

IEC 1010 COMPLIANT RATING:  
300 VOLTS CAT II 10 AMPS MAX. POL DEG. 2

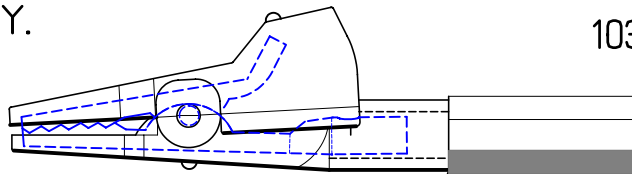
PROJECT No. -

# 1No. RED & BLACK 126017 MINI-CROC



4mm F.S. ADAPTOR

126000 MINI-CROC. ASSY.



103072N + 108008N + 113218 BACK.

ASSEMBLY JIG NUMBERS

PACKAGING  
POLY BAG: 111503  
LABEL: \_\_\_\_\_

PRINTING AS ILLUSTRATED

TOLERANCES

CABLE LENGTHS +/- 5%

DO NOT SCALE.  
ALL DIMENSIONS IN mm.